

2-1/2" LIQUID FILLED GAUGE

Liquid-filled pressure gauges provide users with a number of advantages in certain measurement applications. They are ideally suited for uses on equipment where excessive vibration and pulsation are encountered, such as pumps, compressors, and machine tools.

Features:

- Dual Scale (PSI and kPa)
- +/- 1.5% of Full Scale Accuracy
- 304SS Case and Crimp-On Bezel Ring
- Glycerin Filled
- Phosphor Bronze C-Shaped Bourdon Tube
- 1/4" OT 58 Brass MNPT Connection
- OT 59 Brass Movement
- Black Anodized Aluminum Pointer
- White Aluminum Dial with Black and Red Markings
- Tin/Copper Alloy Welding
- Polycarbonate Lens
- Buna N Socket Gasket and Fill Plug
- Silicone Gasket at Lens (Non-wetted Part)
- 75% of Full Scale Working Pressure
- 25% Over-Pressure Limit
- -4°F to 150°F (-20°C to 65°C) Process and Ambient Temperature Limit
- IP65 Enclosure Rating

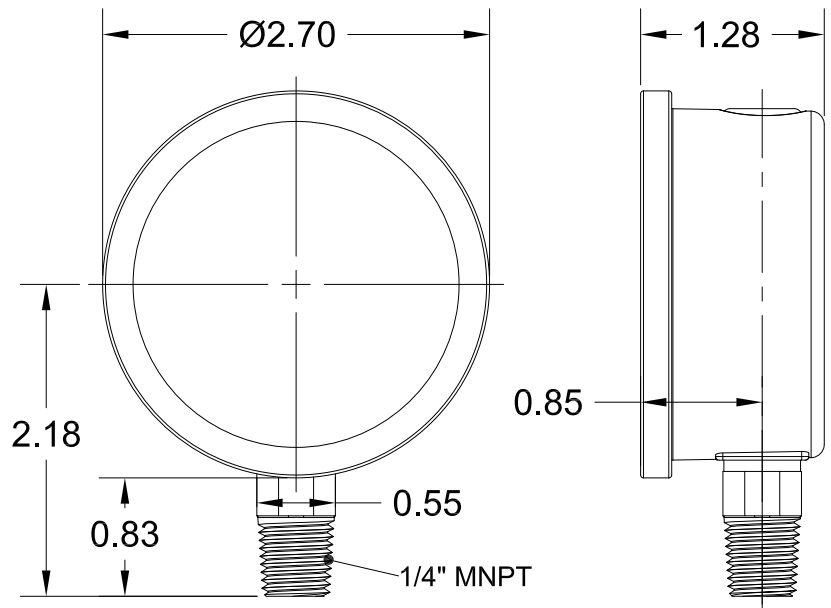


Dial Resolution

Range (PSI)	PSI Per Mark
0 to 30	0.5
0 to 60	1
0 to 100	2
0 to 160, 200, 300	5

Part Numbers

Range (PSI)	Part Number
0 to 30	FNWLFG030L
0 to 60	FNWLFG060L
0 to 100	FNWLFG0100L
0 to 160	FNWLFG0160L
0 to 200	FNWLFG0200L
0 to 300	FNWLFG0300L



DOC: FNWLFG09 Ver. 12/2012

© 2012 - FNW. All rights reserved.

The FNW logo is a trademark of Ferguson Enterprises, Inc., PL Sourcing, PO Box 2778, Newport News, VA 23609

www.fnw.com

The contents of this publication are presented for information purposes only, and while effort has been made to ensure their accuracy, they are not to be construed as warranties or guarantees, expressed or implied, regarding the products or services described herein or their use or applicability. All sales are governed by our terms and conditions, which are available on request. We reserve the right to modify or improve the designs or specifications of our products at any time without notice. Always verify that you have the most recent product specifications or other documentation prior to the installation of these products.