

BRASS NEEDLE VALVE

The figure NV brass needle valve is utilized for fine flow control in non-corrosive applications and controlling mild pulsations in water, oil, and gas service. It is also used as an isolation valve for pressure gauges and transmitters.

Features

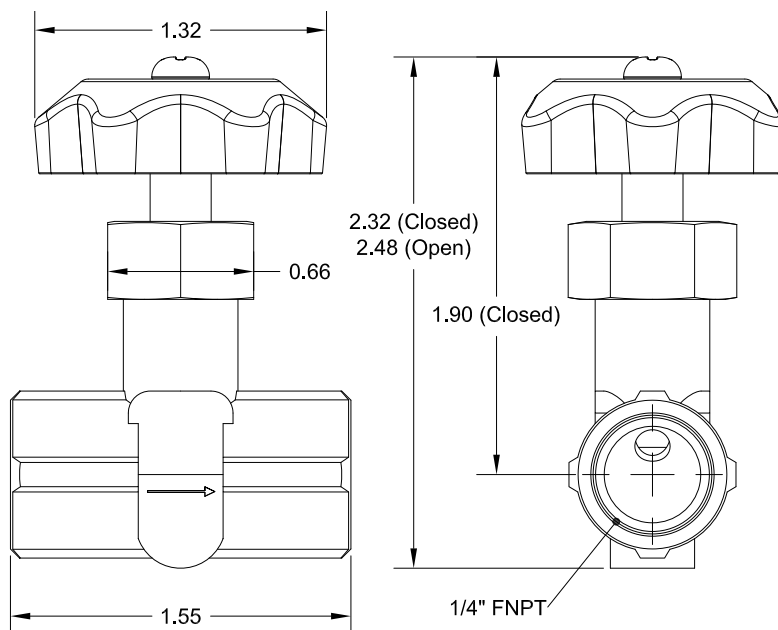
- 400 PSI Maximum Operating Pressure
- 1/4" FNPT End Connections
- #59-1 Forged Brass Body
- Red ABS Plastic Handle
- Rubber O-ring Stem Seal
- #59-1 Brass Stem
- #59-1 Brass Stem Nut
- -9°F to 212°F (-23°C to 100°C) Process Temperature Limit

Standards

- NPT Connections Per ASME B1.20.1

Part Number

Size	Part Number
1/4"	FNWNVB



DOC: FNWNV09 Ver. 8/2012

© 2012 - FNW. All rights reserved.

The FNW logo is a trademark of Ferguson Enterprises, Inc., PL Sourcing, PO Box 2778, Newport News, VA 23609

www.fnw.com

The contents of this publication are presented for information purposes only, and while effort has been made to ensure their accuracy, they are not to be construed as warranties or guarantees, expressed or implied, regarding the products or services described herein or their use or applicability. All sales are governed by our terms and conditions, which are available on request. We reserve the right to modify or improve the designs or specifications of our products at any time without notice. Always verify that you have the most recent product specifications or other documentation prior to the installation of these products.