



Quarter Turn Log Lighter Valves

Product Features

- 1/4 turn operation
- 1/2" NPT female inlet/outlet connections with 3/4" NPSM flange thread
- Kit includes valve, escutcheon and key
- Threaded ends comply with ANSI B2.1
- Temperature range: 32°F - 125°F
- Maximum pressure 1/2 psig
- BTU rating: Angle pattern: 150,000 BTU/hr. @ 1/2 psi
Straight Pattern: 350,000 BTU/hr @ 1/2 psi
- For use on both natural and propane gas systems



PFBVL2SCP

Model Numbers

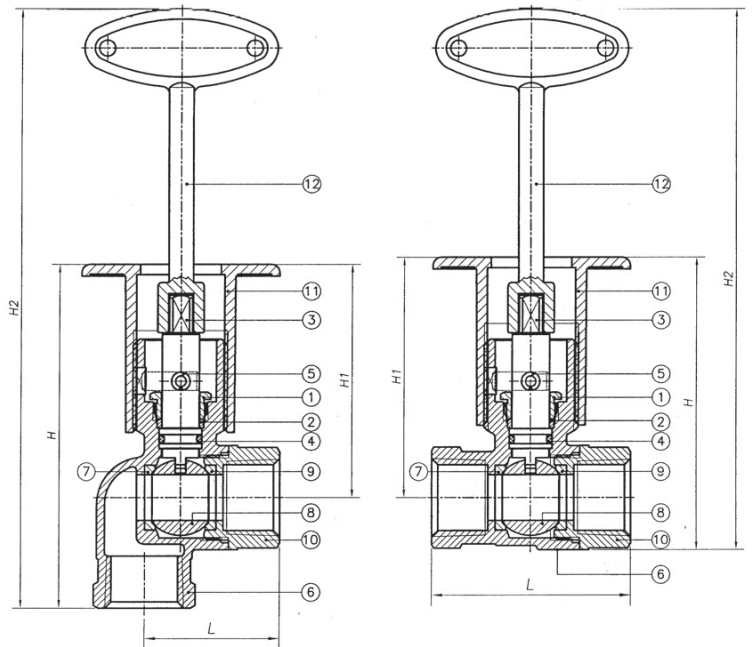
1/4-Turn Log Lighters

- PFBVL2LCP Chrome plated angle valve
PFBVL2SCP Chrome plated straight valve

Available Parts

- PFP56ACP 3" Log lighter key chrome plated
PFP56APB 3" Log lighter key polished brass
PFP57ACP 10" Log lighter key chrome plated
PFP57APB 10" Log lighter key polished brass

Product Specifications



| NO | PARTS | MATERIALS | WATER CONTACT |
|----|-------------|-----------------|---------------|
| 1 | PACKING NUT | BRASS C3600 | N |
| 2 | PACKING | TEFLON POLYFLON | N |
| 3 | STEM | BRASS C3600 | Y |
| 4 | O-RING | RUBBER | Y |
| 5 | PIN | STAINLESS STEEL | N |
| 6 | BODY | BRASS C85710 | Y |
| 7 | PACKING | TEFLON POLYFLON | Y |
| 8 | BALL | BRASS C3600 | Y |
| 9 | PACKING | TEFLON POLYFLON | Y |
| 10 | BONNET | BRASS C85710 | Y |
| 11 | COVER | ZINC | N |
| 12 | KEY | ZINC | N |

| ITEM NO | SIZE | DIMENSIONS | | | | | | | |
|-----------|------|------------|--------|-------|------|-------|--------|-------|---------|
| | | L | | H | | H1 | | H2 | |
| PFBVL2LCP | 1/2" | 1.5" | 38mm | 3.63" | 92mm | 2.42" | 61.5mm | 6.48" | 164.5mm |
| PFBVL2SCP | 1/2" | 2.19" | 55.5mm | 3.0" | 76mm | 2.42" | 61.5mm | 3.85" | 148.5mm |

Warranty and Codes

This PROFLO product carries a 1-year limited warranty. ISO-9000 certified manufacturer. Manufacturer tested to ANSI: Z21.15-1989.