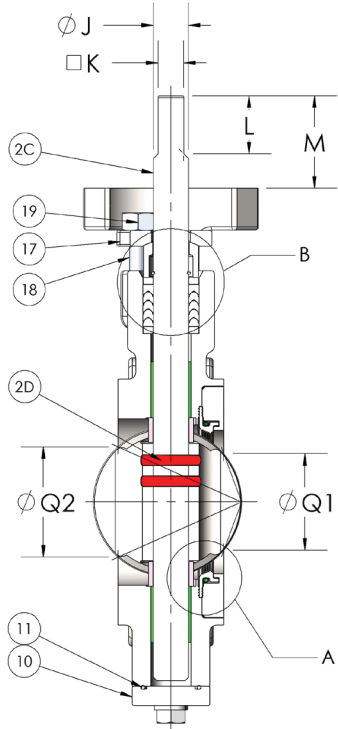
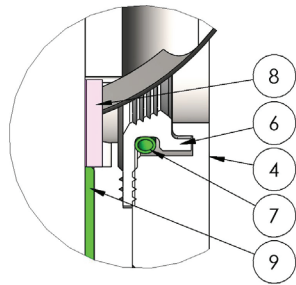


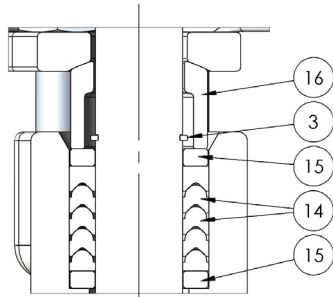
HP Series Lug 2 1/2" - 8" with Lever



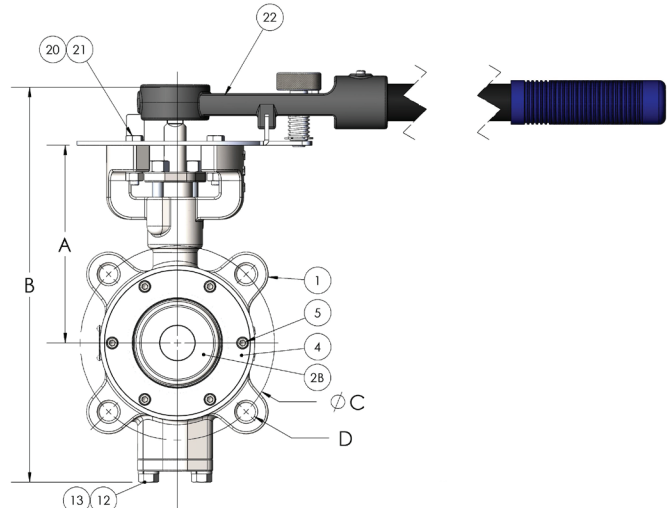
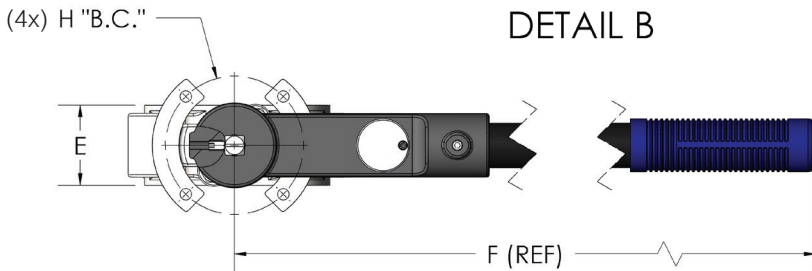
VALVE SHOWN OPEN



DETAIL A



DETAIL B



2.5" CLASS 150 HP LUG SHOWN

2-1/2" - 6" 150/300 LB & 8" 150 LB LUG WITH HANDLE			
ITEM NO.	PARTS NAME	MATERIAL	SPECIFICATION
1	BODY	A. CARBON STEEL	ASTM A216 GR. WCB
		B. STAINLESS STEEL	ASTM A351 GR. CF8M
2	STEM & DISC ASSEMBLY		
	2B. DISC	STAINLESS STEEL	ASTM A351 GR. CF8M
	2C. STEM	STAINLESS STEEL	17-4PH H1150
	2D. TAPER PIN	18-8 STAINLESS STEEL	COMMERCIAL
3	STEM RETAINER	304 STAINLESS STEEL	COMMERCIAL
4	SEAT RETAINER RING	A. CARBON STEEL	ASTM A515 GR. 70
		B. STAINLESS STEEL	ASTM A240 TY.316
5	SOCKET HEAD CAP SCREW	STAINLESS STEEL	ASTM A193 GR. B8M
6	SEAT	A. PTFE COMMERCIAL	COMMERCIAL
		B. 15% GLS. FLD. PTFE	COMMERCIAL
		C. UHMWPE	COMMERCIAL
7	SEAT SPRING	STAINLESS STEEL	COMMERCIAL
8	DISC SPACER	316 STAINLESS STEEL	COMMERCIAL
9	BEARING	STAINLESS STEEL - PTFE COATED	COMMERCIAL
10	BOTTOM CAP	STAINLESS STEEL	ASTM A351 GR. CF8M
11	BOTTOM SEAL	GRAPHITE	COMMERCIAL
12	HEX HEAD CAP SCREW	STAINLESS STEEL	ASTM A193, GR. B8M
13	SPLIT LOCKWASHER	STAINLESS STEEL	COMMERCIAL
14	PACKING V-RING SET	A. PTFE COMMERCIAL	COMMERCIAL
		B. GRAPHITE	COMMERCIAL
15	PACKING WASHER	304 STAINLESS STEEL	COMMERCIAL
16	GLAND FOLLOWER	STAINLESS STEEL	ASTM A351 GR. CF8M
17	GLAND RETAINER	STAINLESS STEEL	ASTM A351 GR. CF8M
18	STUD	STAINLESS STEEL	ASTM A193 GR. B8M
19	HEAVY HEX NUT	STAINLESS STEEL	ASTM A194 GR. 8M
20	SOCKET HEAD CAP SCREW	STAINLESS STEEL	ASTM A193 GR. B8M
21	SPLIT LOCKWASHER	STAINLESS STEEL	COMMERCIAL
22	HANDLE ASSY	DUCTILE IRON	COMMERCIAL

2.5" - 6" 150/300LB & 8" 150LB LUG WITH HANDLE																		
VALVE SIZE	VALVE DIMENSIONS					TOP WORKS				STEM CONNECTION					CORE DIMS		Bolt Ø	
	"A" HEIGHT	"B" HEIGHT	"C" B.C.	"D" TAP	# OF HOLES	"E" FACE	"F"	"H" B.C.	"J" ØSTEM	"K" SQUARE	"L" LENGTH	"L2"	"M" LENGTH	"N" KEYWAY	ØQ1	ØQ2		
2.5" 150 LUG	5.59	11.24	5.50	5/8-11	4	1.88	16.87	3.25	0.62	0.46	1.02	N/A	1.64	N/A	1.72	1.97	0.27	
2.5" 300 LUG	5.59	12.01	5.88	3/4-10	8	1.88	16.87	3.25	0.62	0.46	1.02	N/A	1.64	N/A	1.72	1.97	0.27	
3" 150 LUG	5.59	11.24	6.00	5/8-11	4	1.88	16.87	3.25	0.62	0.46	1.02	N/A	1.72	N/A	2.28	2.47	0.27	
3" 300 LUG	5.59	11.97	6.63	3/4-10	8	1.88	16.87	3.25	0.62	0.46	1.02	N/A	1.72	N/A	2.28	2.47	0.27	
4" 150 LUG	6.25	12.77	7.50	5/8-11	8	2.13	16.87	3.25	0.62	0.46	1.02	N/A	1.56	N/A	3.06	3.53	0.27	
4" 300 LUG	6.25	13.05	7.88	3/4-10	8	2.13	16.87	3.25	0.62	0.46	1.02	N/A	1.56	N/A	3.06	3.53	0.27	
5" 150 LUG	7.69	15.52	8.50	3/4-10	8	2.13	19.87	4.25	0.87	0.64	1.04	N/A	1.69	N/A	4.35	4.46	0.44	
5" 300 LUG	7.69	15.52	9.25	3/4-10	8	2.13	19.87	4.25	0.87	0.64	1.04	N/A	1.69	N/A	4.35	4.46	0.44	
6" 150 LUG	7.69	15.52	9.50	3/4-10	8	2.25	19.87	4.25	0.87	0.64	1.04	N/A	1.69	N/A	5.33	5.43	0.44	
6" 300 LUG	7.69	16.56	10.63	3/4-10	12	2.31	19.87	4.25	0.87	0.64	1.04	N/A	1.69	N/A	5.33	5.39	0.44	
8" 150 LUG	9.51	19.27	13.00	3/4-10	8	2.63	22.85	4.75	1.12	N/A	N/A	1.50	1.86	0.25	7.10	7.37	0.56	

The information presented on this sheet is correct at time of publication. Milwaukee Valve reserves the right to change design and/or materials without notice. For our Installation, Operation and Maintenance Manual and the most current product information go to www.milwaukeevalve.com.

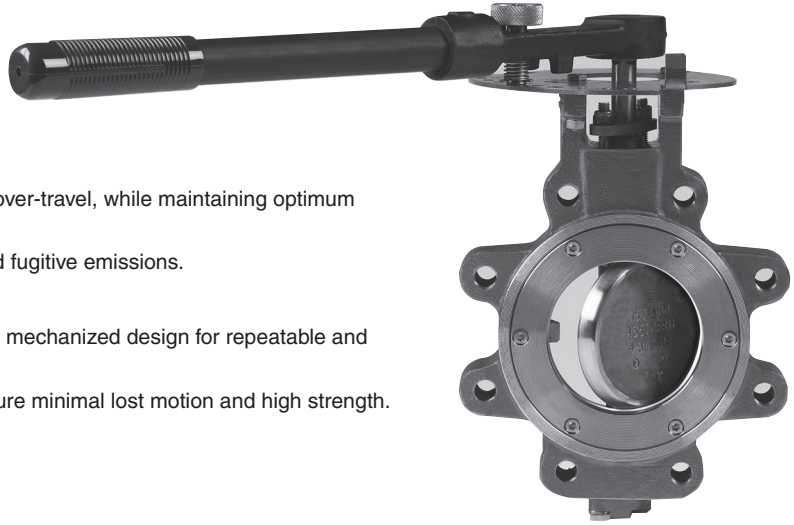
⚠ State of California Prop 65 **WARNING:** Cancer and Reproductive Harm. For more information visit www.p65warnings.ca.gov.



HP Series: Milwaukee Valve Company High Performance Butterfly Valves

Features and Benefits

- All valves offer bi-directional bubble-tight sealing at full rated pressure, with lug-bodied valves providing bi-directional dead-end service at full rated pressure.
- The double-offset design provides superior sealing with minimal seat contact and wear.
- The shaft and disc are manufactured as a single piece for maximum strength and Cv.
- The position stop on the disc is internally cast to prevent over-travel, while maintaining optimum disc/seat contact.
- The adjustable stem packing eliminates stem leakage and fugitive emissions.
- The blow-out-proof stem prevents injury and product loss.
- The seat is energized by a combination of pressure and a mechanized design for repeatable and reliable sealing and extended cycle life.
- The stem/disc connection uses a welded taper pin to ensure minimal lost motion and high strength.



H.P. Lug Pattern

Product Range

Size Class: 2-1/2"-24", ASME/ANSI Class 150 & 300
 Body Configuration: Wafer and Lug
 -- Sizes up to 48" available, consult factory

Operators Available

10 Position Lever Handle, Gear Operators, Pneumatic and Electric Actuators

Material of Standard Construction

Body Carbon Steel or CF8M 316 Stainless Steel
 Disc CF8M 316 Stainless Steel
 Stem 17-4 PH Stainless Steel
 Bearing Stainless backed RTFE
 Seat RTFE/Stainless Garter Spring

Specifications

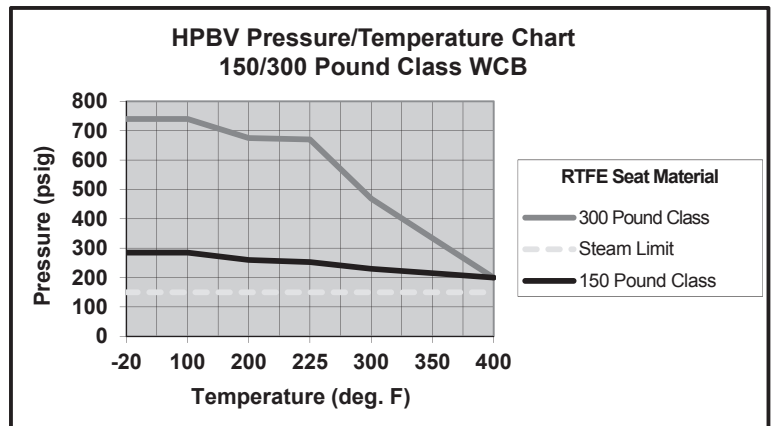
Valve Sizes 2-1/2" through 24"
 Flanged Ends Connections per ASME/ANSI B16.5.
 Valve face to face dimension per MSS-SP-68.

Valve bodies are cast high quality steel, with standard availability in ASTM-A216 WCB CS and ASTM A-351 CF8M SS. Body wall thickness meets ASME/ANSI B16.34 and complies with quality standard for steel castings MSS-SP-55.

High performance valve meets the requirements of MSS-SP-68 for double offset design.

Valve pressure tests meet MSS-SP-61.
 Valve testing and inspection meet API 598.

Tagging meets the requirements of MSS-SP-25 and API 609B.



Pressure Ratings* (Cold Working Pressure)

	2-1/2" through 24" Class 150	2-1/2" through 16" Class 300
Carbon Steel	285 psi	740 psi
Stainless Steel	275 psi	720 psi

*Valve is rated @ 150 PSI steam for on & off application and 50 PSI modulating service. (Limit Range 30°-70° - No Dwell In Near Closed Position.)

HOW TO ORDER MILWAUKEE VALVES HP SERIES HIGH PERFORMANCE BUTTERFLY VALVE										
SERIES	ANSI CLASS	BODY STYLE	BODY MATERIAL	DISC MATERIAL	STEM MATERIAL	SEAT MATERIAL	STEM PACKING	OPERATOR	EXT. OPTIONS	SIZE
XX	X	X	X	X	X	X	X	X	XX	XXX
HP	1-150 3-300	L-LUG W-WAFER	C-WCB S-CF8M	S-CF8M	4-17-4 SS 5-316 SS	1-PTFE 2-RPTFE 4-UHMWPE	1-PTFE G-GRAPHITE	1-BARE STEM 2-LEVER-LOCK 3-GEAR OP	S-Stainless Steel Seat Retainer U-Assembled in USA	025-240

PART NUMBER EXAMPLE
 HP1LCS4111 040 = 4 INCH, HIGH PERFORMANCE, CLASS 150, LUG PATTERN, CARBON STEEL BODY, 17-4 STEM, PTFE SEAT, PTFE PACKING, BARE STEM WITH NO EXT OPTIONS

The information presented on this sheet is correct at time of publication. Milwaukee Valve reserves the right to change design and/or materials without notice. For our Installation, Operation and Maintenance Manual and the most current product information go to www.milwaukeevalve.com.
 ⚠ State of California Prop 65 WARNING: Cancer and Reproductive Harm. For more information visit www.p65warnings.ca.gov.

