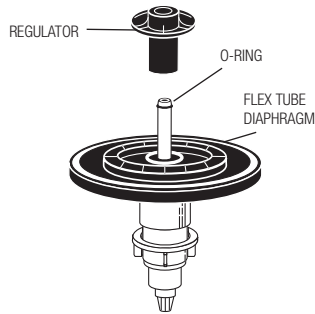


Optima Plus® Flushometers

FLEX TUBE DIAPHRAGM KITS

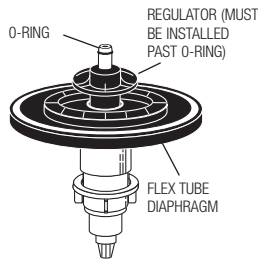


Code No.	Description
5325056	O-ring – 6 per package

Code No.	Use Part No.	Description	Color*	To Replace Old Part No.
3325003	EBV-1023-A	URINAL 0.5 gpf/1.9 Lpf†	GREEN	EBV-32-A-U-0.5
3325000	EBV-1022-A	URINAL 1.0 gpf/3.8 Lpf†	GREEN	EBV-32-A-U-1.0
3325000	EBV-1022-A	URINAL 1.5 gpf/5.7 Lpf†	BLACK	EBV-32-A-U-1.5
3325001	EBV-1020-A	URINAL 3.5 gpf/13.2 Lpf†	WHITE	EBV-20-A-U-3.5
3325031	EBV-1024-A	CLOSET 1.28 gpf/4.8 Lpf	GREEN	—
3325001	EBV-1020-A	CLOSET 1.6 gpf/6.0 Lpf†	GREEN	EBV-10-A-C-1.6
3325014	EBV-1021-A	CLOSET 2.4 gpf/9.0 Lpf	BLUE	EBV-10-A-C-2.4
3325001	EBV-1020-A	CLOSET 3.5 gpf/13.2 Lpf†	WHITE	EBV-10-A-C-3.5
3325001	EBV-1020-A	CLOSET 4.5 gpf/17.0 Lpf §	WHITE	EBV-10-A-C-4.5

† The EBV-1020-A and EBV-1022-A kits are supplied with multiple regulators.
 ‡ A 0.5 gpf (1.9 Lpf) urinal kit can be converted to a 1.0 gpf (3.8 Lpf) by cutting and removing the smooth A-164 flow ring from the guide.
 § For a 4.5 gpf (17.0 Lpf) water closet flush, use the EBV-1020-A kit with the white regulator, and cut and remove the A-164 flow ring from the guide.
 * Color of regulator to be used with flex tube diaphragm to obtain the listed flush volume.

REGULATORS



The flush volume of the flex tube diaphragm kit is controlled by the regulator. Regulators are identified by color. Some flex tube diaphragm kits are supplied with multiple regulators. The installer must make sure the proper regulator is used when installing the flex tube diaphragm kit.

REGULATOR (Sold 6 per package)

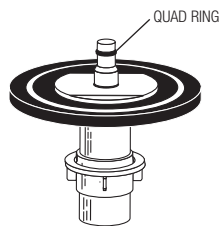
Code No.	Part No.	Description	Regulator Color
5325122	EBV-95	Urinal-0.5 gpf/1.9 Lpf	GREEN
5325122	EBV-95	Urinal-1.0 gpf/3.8 Lpf	GREEN
5325129	EBV-102-2	Urinal-1.5 gpf/5.7 Lpf	BLACK
5325130	EBV-102-1	Urinal-3.5 gpf/13.2 Lpf	WHITE
5325122	EBV-95	Closet-1.28 gpf/4.8 Lpf	GREEN
5325122	EBV-95	Closet-1.6 gpf/6.0 Lpf	GREEN
5325130	EBV-102-1	Closet-3.5 gpf/13.2 Lpf	WHITE
5325128	EBV-101	Closet-2.4 gpf/9.0 Lpf	BLUE

The EBV-1020-A and EBV-1022-A kits are supplied with multiple flush volume regulators. The installer must use the correct regulator when installing the kit.

OLD STYLE DIAPHRAGM INSIDE PARTS



The 5325813 Quad Ring is still available.



Code No.	Part No.	Description
5325813	EBV-18	Quad Ring – 12 per package

OLD STYLE KITS ABOVE ARE OBSOLETE. SEE CHART FOR REPLACEMENT.