

# Backwater Valves



## PRODUCT FEATURES

- Available in PVC or ABS
- Neoprene O-Ring
- Sockets/ Hubs are DWV (Sch. 40) size

### Valve Only

ABS Part No.	PVC Part No.	Size	A	B	C
PF42914	PF42849	2"	2-7/16"	2-1/16"	3-7/8"
PF42915	PF42852	3"	3-7/8"	3-1/2"	6"
PF42916	PF42853	4"	5-3/8"	5-3/8"	6-3/4"
PF42917	PF42854	6"	7-11/16"	7-11/16"	10-1/8"



### Valve with Sleeve

ABS Part No.	PVC Part No.	Size	A	B	C	D	E
N/A	PF42849WS	2"	2-7/16"	2-1/16"	3-7/8"	16"	4"
PF42915WS	PF42852WS	3"	3-7/8"	3-1/2"	6"	16"	5"
PF42916WS	PF42853WS	4"	5-3/8"	5-3/8"	6-3/4"	16"	7-3/4"

### Sleeve Kit Only

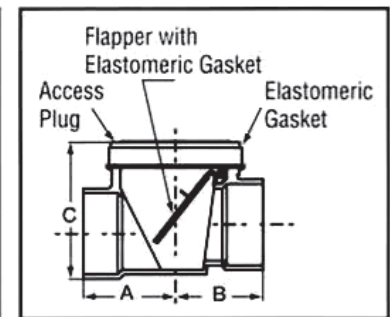
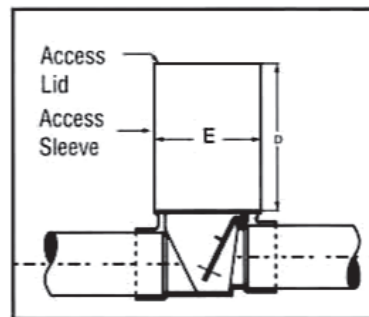
Kit includes: Adapter ring for sleeve and lid (to be used with cut-to-length SDR 35 pipe)

ABS Part No.	PVC Part No.	Size
PF42915SKO	PF42852SKO	3"
PF42916SKO	PF42853SKO	4"

### Replacement Parts

Part No.	Description	Size
PFBWVFM	Rep. flapper	3"
PFBWVFP	Rep. flapper	4"

Additional replacement parts available upon request

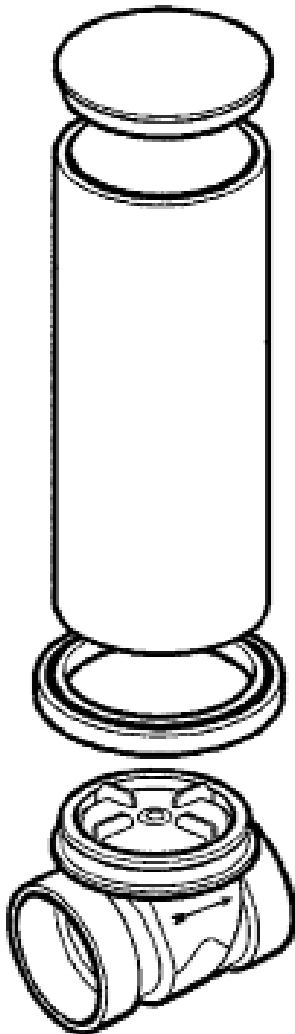


# Backwater Valves



## Backwater Valve with 16" access sleeve kit

- Allows easy access to valve.



## Backwater Valve Sleeve Kit

- Kit includes adapter ring for the sleeve and a lid for SDR pipe.
- Kit allows contractors to utilize SDR pipe to cut a custom length sleeve.



The chart below outlines the nominal diameter of sewer pipe required for the Backwater Valve Sleeve Kits:

Backwater Valve Hub Size	Sewer Pipe Diameter SDR 35
3"	6"
4"	8"
6"	10"

- Adapter ring is not required for 6" BWV
- Lid available upon request