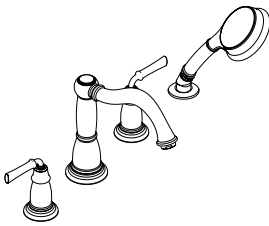
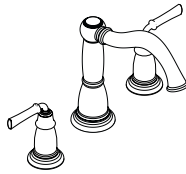


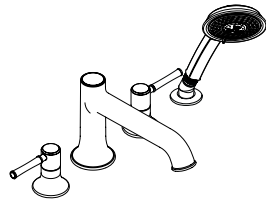
Installation Instructions / Warranty



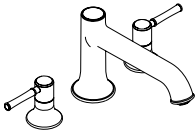
Tango C
04272XX0



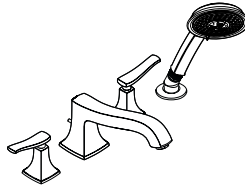
Tango C
04271XX0



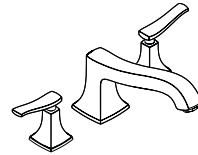
Talis C
14314XX1



Talis C
14313XX1

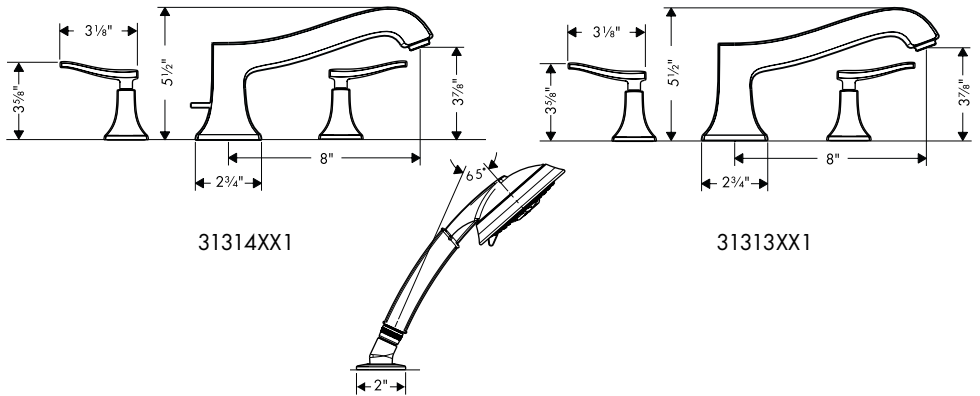
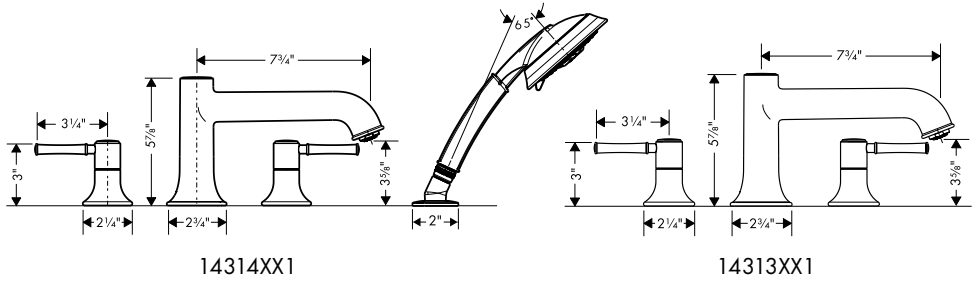
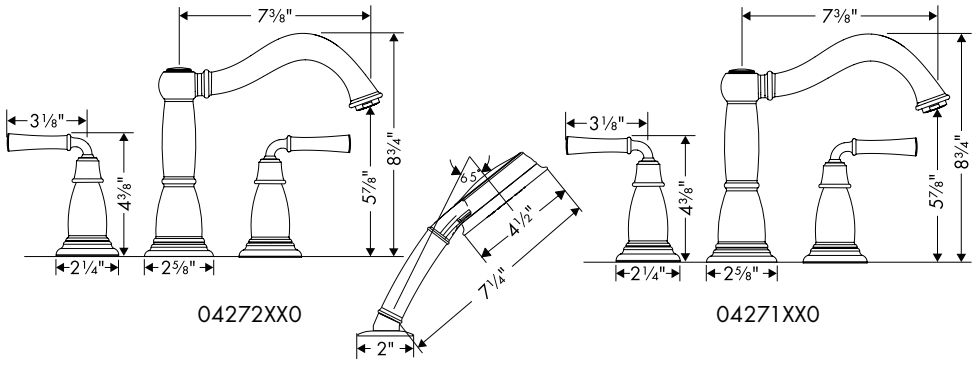


Metris C
31314XX1



Metris C
31313XX1

hangrohe



Technical Information

Recommended water pressure	15 - 75 psi
Max. water pressure	147 psi
Recommended hot water temp.	120° - 140° F*
Max. hot water temp	165°F*
Flow rate – handshower	2.5 gpm max.

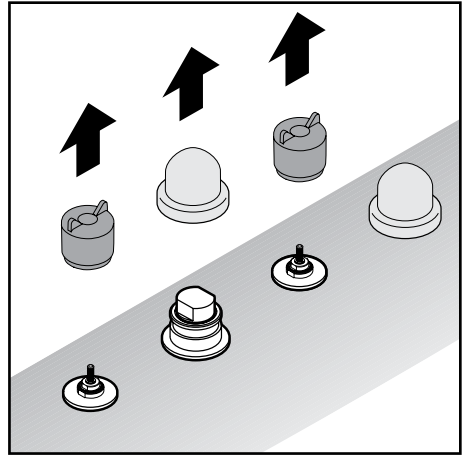
*Please know and follow all applicable local plumbing codes when setting the temperature on the water heater.

Installation Considerations

- For best results, Hansgrohe recommends that this unit be installed by a licensed, professional plumber.
- Please read over these instructions thoroughly before beginning installation. Make sure that you have all tools and supplies needed to complete the installation.
- Four-hole trim kits are for use only with rough 06646000.
- Three-hole trim kits are for use only with rough 06607000.
- The rough valve must be installed, and the mounting surface must be finished and made watertight before installation of this trim kit.
- Four-hole models only: Protection against backflow is provided by check valve and an automatically resetting diverter.
- Keep this booklet and the receipt (or other proof of date and place of purchase) for this product in a safe place. The receipt is required should it be necessary to request warranty parts.

Installation

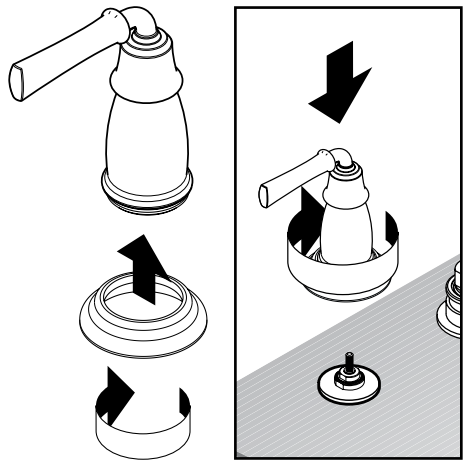
Remove the plaster shields from the valves.



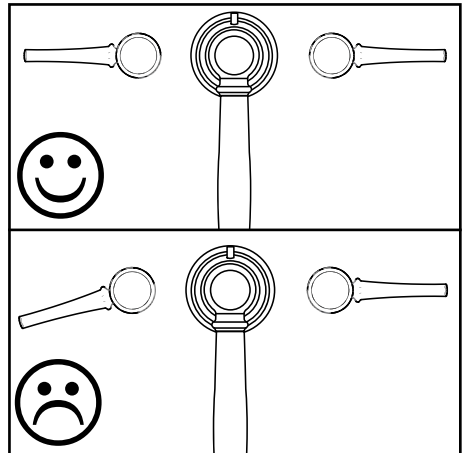
Tango C only: Install the deco rings on the handles.

Position the handle over the valve stem with the lever in the desired "off" position.

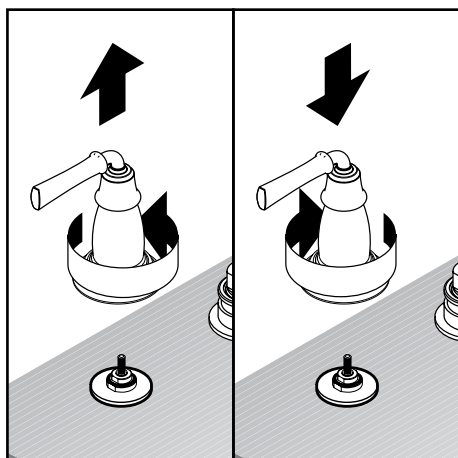
Hold the lever in place with one hand. Use your other hand to rotate the "bell" to secure it to the valve.



Check the alignment of the handles.



If it is unsatisfactory, remove the handle, rotate it slightly, and reinstall.

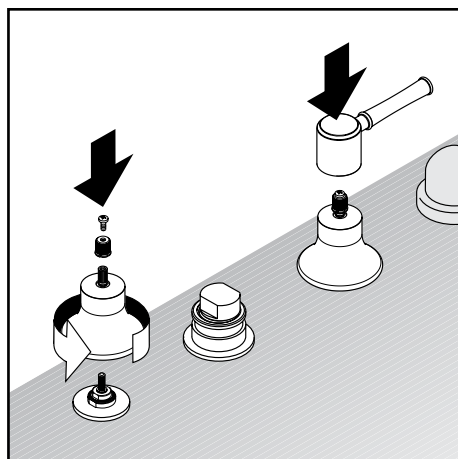


Talis C only

Rotate the escutcheon clockwise to secure it to the valve.

Install the snap connector and screw.

Press the handle into place over the snap connector.



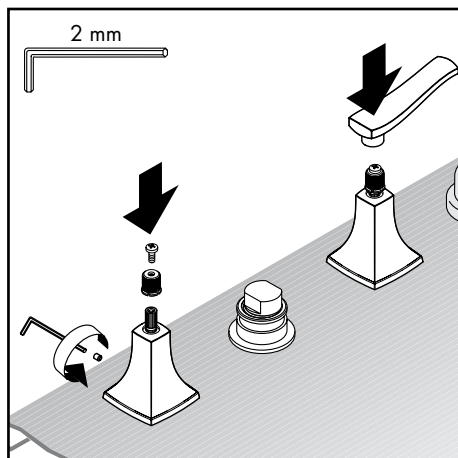
Metris C only

Push the escutcheon over the valve stem.

Tighten the screw.

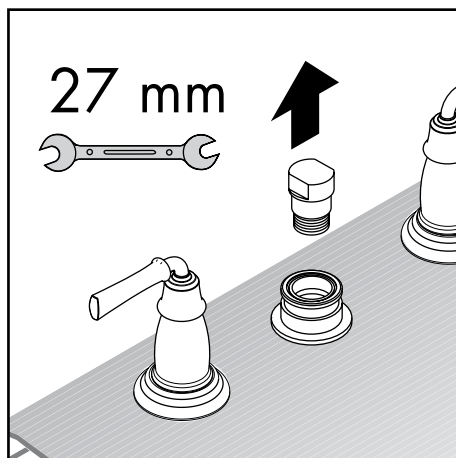
Install the snap connector and screw.

Press the handle into place over the snap connector.



Remove the plaster shield from the spout tee.

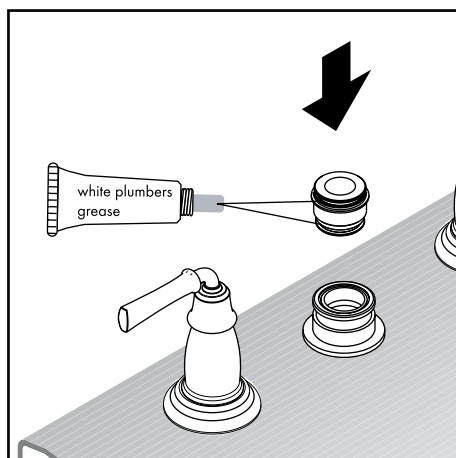
Remove the brass plug from the tee.



Three-hole models only:

Lightly lubricate the o-rings on the sealing ring using white plumbers grease.

Press the sealing ring into the spout tee.

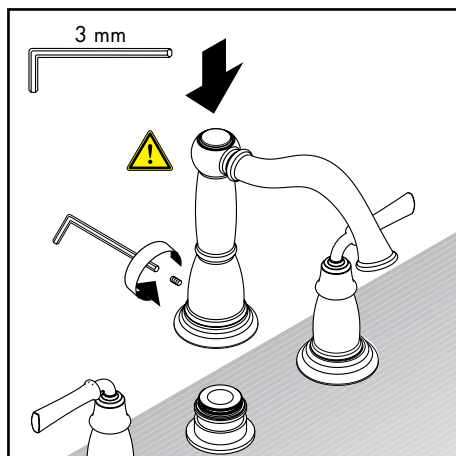


Firmly press the spout over the sealing ring until it is fully seated.

Tighten the screw using a 3 mm Allen wrench.

 **Do not overtighten the screw.**

 **Overtightening the screw will deform the o-rings, causing a leak.**

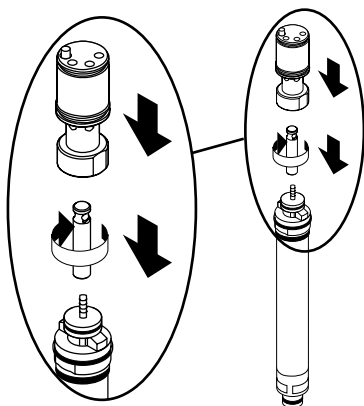


Four-Hole Models only

Install the pin on the diverter.

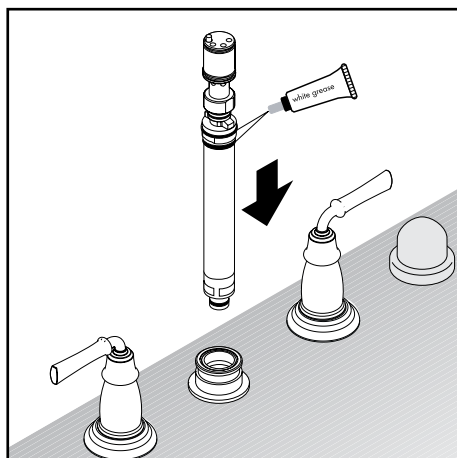
Press the guide bushing firmly into place.

The hole in the pin should be clearly visible through the slot in the guide bushing.



Lubricate the diverter o-rings using white plumber's grease.

Press the diverter assembly firmly into the spout tee until it is fully seated.



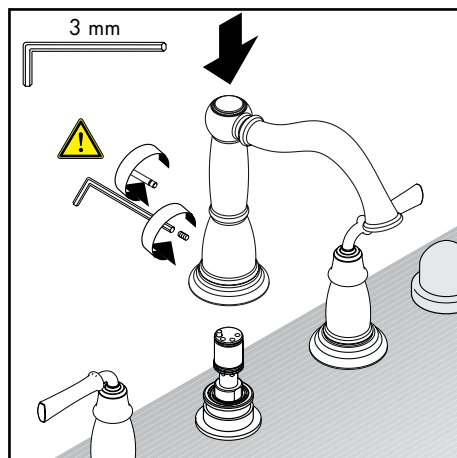
Firmly press the spout over the diverter.

Tighten the screw using a 3 mm Allen wrench.

 **Do not overtighten the screw.**

 **Overtightening the screw will deform the o-rings, causing a leak.**

Install the diverter rod. The threaded end of the diverter rod must go into the hole in the pin.

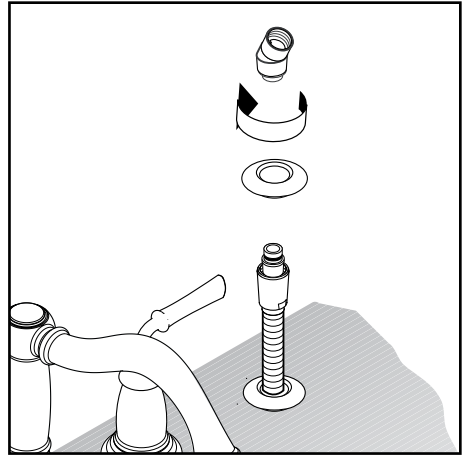


Remove the plaster shield from the handshower holder.

Pull out on the handshower hose.

Screw the handshower holder escutcheon into place.

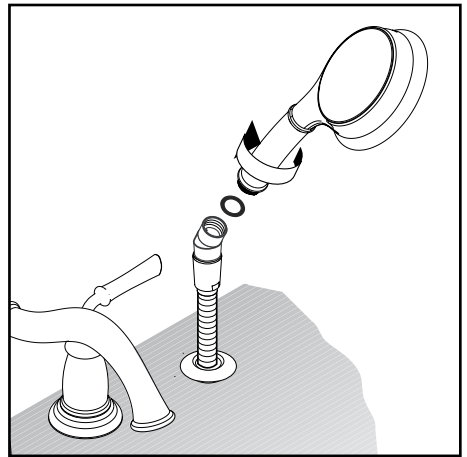
Install the elbow.



Place a black rubber hose washer in the elbow.

Screw the handshower into the elbow.

Rest the handshower in the holder.

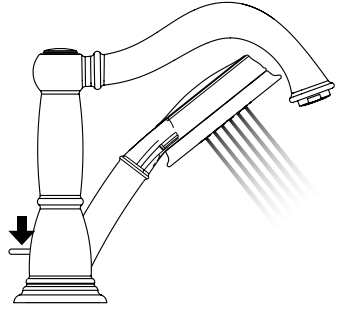
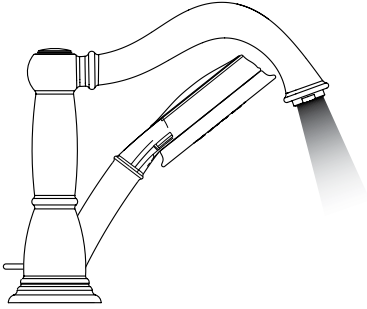
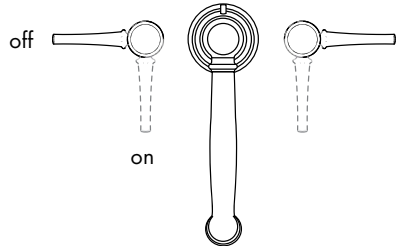


User Instructions

When the water is turned on, it will come through the spout.

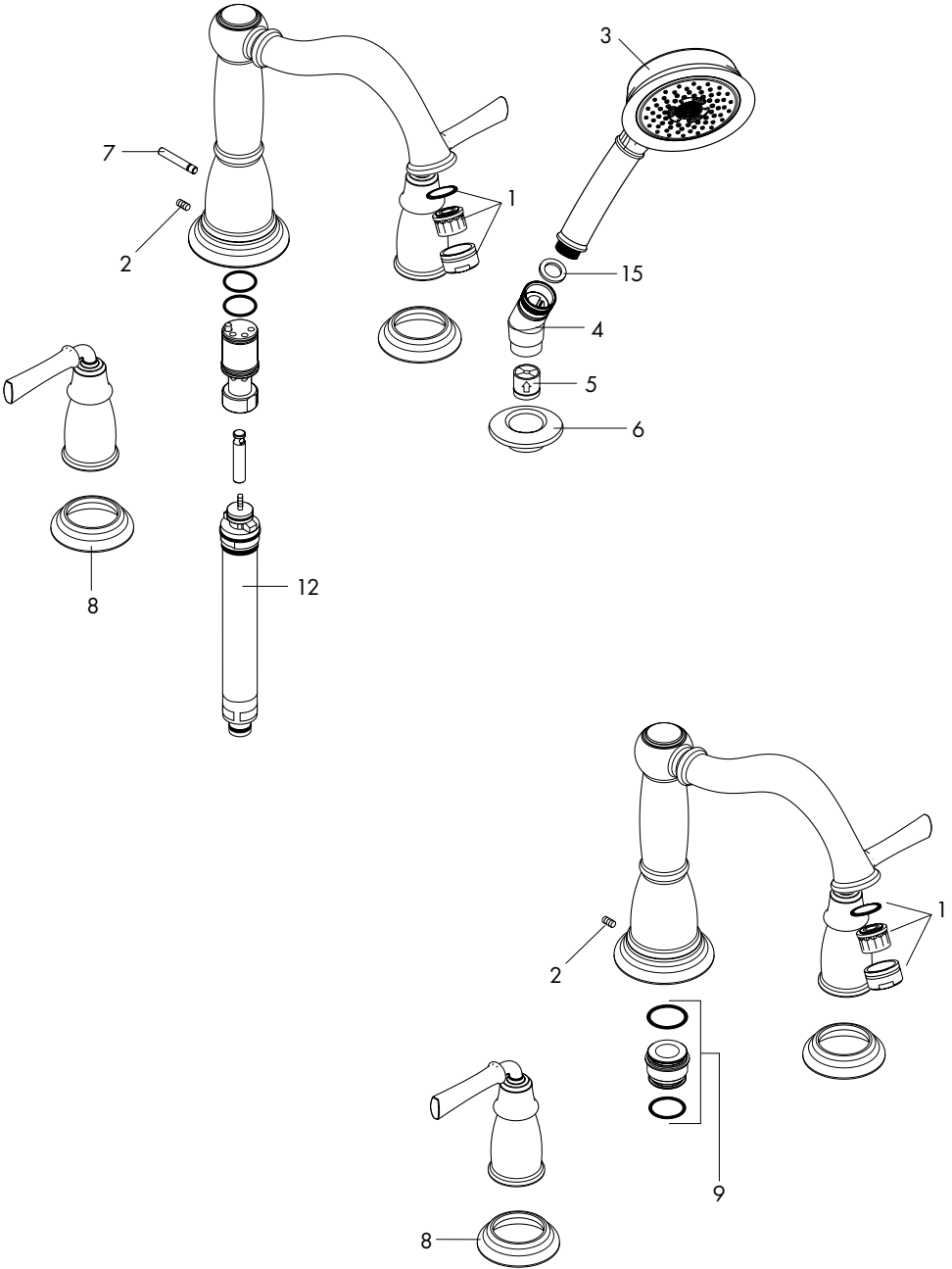
To obtain water from the handshower, push down on the diverter knob.

The diverter will reset to the spout position when the water is turned off.

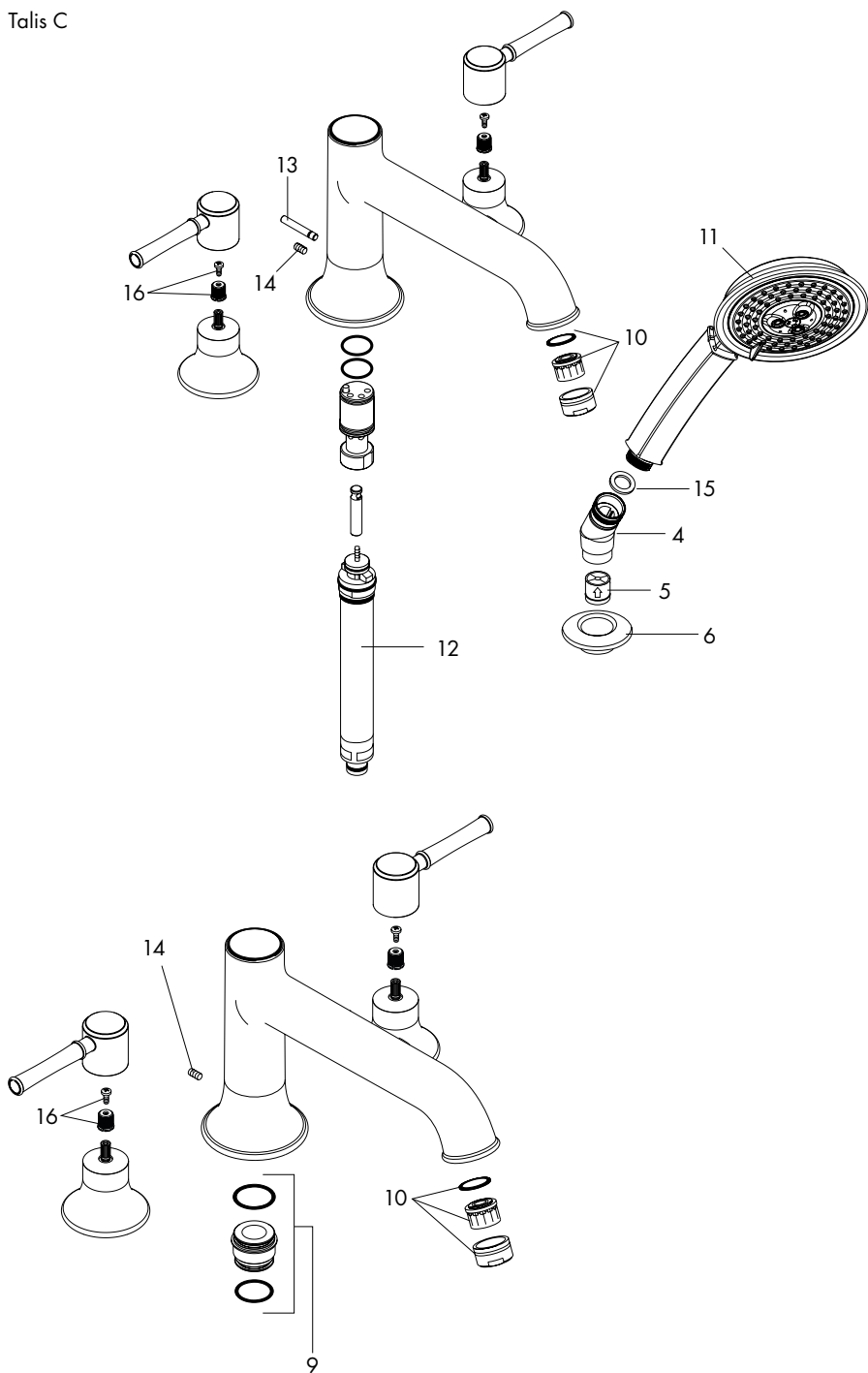


Replacement Parts

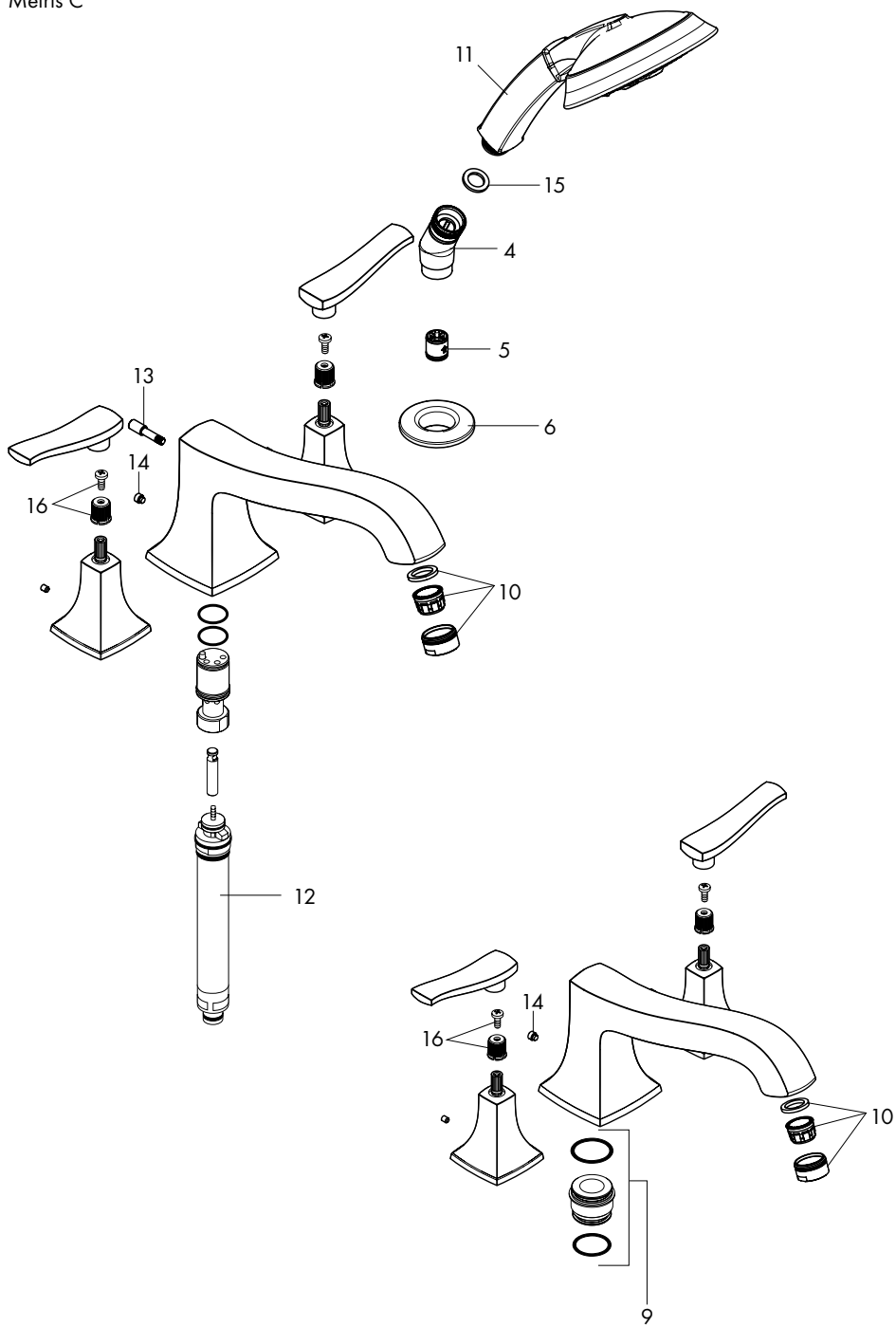
Tango C



Talis C



Metris C



1	aerator	13956XX0	9	sealing ring	88512000
2	screw	96029000	10	aerator	13914XX0
3	handshower	04072XX0	11	handshower	28548XX1
4	elbow	28071XX0	12	diverter	96775000
5	check valve	94074000	13	diverter knob	98607XX0
6	flange	97159XX0	14	screw	97660000
7	diverter knob	97144XX0	15	screen washer	94246000
8	deco ring	88600XX0	16	snap connector	98932000

XX = color

00 = chrome

62 = oil rubbed bronze

82 = brushed nickel

83 = polished nickel

92 = rubbed bronze

Cleaning Recommendation for Hansgrohe Products

Modern lavatory faucets, kitchen faucets, and showers consist of very different materials to comply with the needs of the market with regard to design and functionality. To avoid damage and returns, it is necessary to consider certain criteria when cleaning.

Cleaning Materials for Faucets and Showers

Acids are a necessary ingredient of cleaning materials for removing lime, however please pay attention to the following points when cleaning faucets and showers:

- Only use cleaning materials which are explicitly intended for this type of application.
- Never use cleaning materials which contain hydrochloric, formic, phosphoric, or acetic acid, as they cause considerable damage.
- Never mix one cleaning material with another.
- Never use cleaning materials or appliances with an abrasive effect, such as unsuitable cleaning powders, sponge pads, or micro fiber cloths.

Cleaning Instructions for Faucets and Showers

Please follow the cleaning material manufacturer's instructions. In addition, pay attention to the following points:

- Clean the faucets and showers as and when required
- Use the amount of cleaning product and the amount of time recommended by the manufacturer. Do not leave the cleaner on the fixture longer than necessary.
- Regular cleaning can prevent calcification.
- When using spray cleaners, spray first onto a soft cloth or sponge. Never spray directly onto the faucet as droplets can enter openings and gaps and cause damage.
- After cleaning, rinse thoroughly with clean water to remove any cleaner residue.

Important

Residues of liquid soaps, shampoos, and shower foams can also cause damage, so rinse with clean water after using.

Please note: if the surface is already damaged, the effect of cleaning materials will cause further damage.

Components with damaged surfaces must be replaced or injury could result.

Damage caused by improper treatment is not covered under the warranty.

Limited Lifetime Consumer Warranty

This product has been manufactured and tested to the highest quality standards by Hansgrohe, Inc. ("Hansgrohe"). This warranty is limited to Hansgrohe products which are purchased by a consumer in the United States after March 1, 1996, and installed in either the United States or Canada.

WHO IS COVERED BY THE WARRANTY

This warranty extends to the original consumer purchaser only. This warranty is non-transferable.

WHAT IS COVERED BY THE WARRANTY

This warranty covers only your Hansgrohe manufactured product. Hansgrohe warrants this product against defects in material or workmanship as follows: Hansgrohe will repair at no charge for parts only or, at its option, replace any product or part of the product that proves defective because of improper workmanship and/or material, under normal installation, use, service and maintenance. If Hansgrohe is unable to provide a replacement and repair is not practical or cannot be timely made, Hansgrohe may elect to refund the purchase price in exchange for the return of the product.

LENGTH OF WARRANTY

Replacement or repaired parts of products will be covered for the term of this warranty as stated in the following two sentences. If you are a consumer who purchased the product for use primarily for personal, family, or household purposes, this warranty extends for as long as you own the product and the home in which the product is originally installed. If you purchased the product for use primarily for any other purpose, including, without limitation, a commercial purpose, this warranty extends only (i) for 1 year, with respect to Hansgrohe and Commercial products, and (ii) for 5 years, with respect to AXOR products.

THIS WARRANTY DOES NOT COVER, AND HANSGRÖHE WILL NOT PAY FOR:

- A. Conditions, malfunctions or damage not resulting from defects in material or workmanship.
- B. Conditions, malfunctions or damage resulting from (1) normal wear and tear, improper installation, improper maintenance, misuse, abuse, negligence, accident or alteration, or (2) the use of abrasive or caustic cleaning agents or "no-rinse" cleaning products, or the use of the product in any manner contrary to the product instructions. (3) Conditions in the home such as excessive water pressure or corrosion.
- C. Labor or other expenses for the disconnection, deinstallation, or return of the product for warranty service, or for installation or reinstallation of the product (including but not limited to proper packaging and shipping costs), or for installation or reinstallation of the product.
- D. Accessories, connected materials and products, or related products not manufactured by Hansgrohe.

TO OBTAIN WARRANTY PARTS OR INFORMATION

Contact your Hansgrohe retailer, or contact Technical Service at:

Hansgrohe Inc.
1492 Bluegrass Lakes Parkway
Alpharetta GA 30004
Toll-free (800) 334-0455.

In requesting warranty service, you will need to provide

1. The sales receipt or other evidence of the date and place of purchase.
2. A description of the problem.
3. Delivery of the product or the defective part, postage prepaid and carefully packed and insured, to Hansgrohe Inc. 1492 Bluegrass Lakes Parkway, Alpharetta, Georgia 30004, Attention: Technical Service, if required by Hansgrohe.

When warranty service is completed, any repaired or replacement product or part will be returned to you postage prepaid.

EXCLUSIONS AND LIMITATIONS

REPAIR OR REPLACEMENT (OR, IN LIMITED CIRCUMSTANCES, REFUND OF THE PURCHASE PRICE) AS PROVIDED UNDER THIS WARRANTY IS THE EXCLUSIVE REMEDY OF THE PURCHASER. HANSGRÖHE NEITHER ASSUMES NOR AUTHORIZES ANY PERSON TO CREATE FOR IT ANY OBLIGATION OR LIABILITY IN CONNECTION WITH THIS PRODUCT.

HANSGRÖHE SHALL NOT BE LIABLE TO PURCHASER OR ANY PERSON FOR ANY INCIDENTAL, SPECIAL, OR CONSEQUENTIAL DAMAGES, ARISING OUT OF BREACH OF THIS WARRANTY OR ANY IMPLIED WARRANTY (INCLUDING MERCHANTABILITY).

Some States do not allow the exclusion or limitation of incidental or consequential damages, so the above limitation or exclusion may not apply to you. This warranty gives you specific legal rights, and you may have other rights which vary from State to State. You may be required by law to give us a reasonable opportunity to correct or cure any failure to comply before you can bring any action in court against us under the Magnuson-Moss Warranty Act.

PRODUCT INSTRUCTIONS AND QUESTIONS

Upon purchase or prior to installation, please carefully inspect your Hansgrohe product for any damage or visible defect. Prior to installing, always carefully study the enclosed instructions on the proper installation and the care and maintenance of the product. If you have questions at any time about the use, installation, or performance of your Hansgrohe product, or this warranty, please call or write to us or call us toll-free at 800 334 0455.

hansgrohe

Hansgrohe, Inc. • 1490 Bluegrass Lakes Parkway • Alpharetta, GA 30004
Tel. 770-360-9880 • Fax 770-360-9887

www.hansgrohe-usa.com