

SPECIFICATIONS

FIGURE X421

BRASS BODY BALL VALVES

FNW®

LOW LEAD COMPLIANT 2-PC FULL PORT 600 WOG

FEATURES

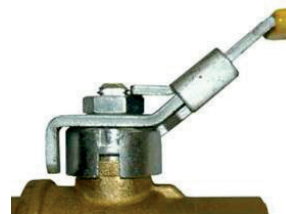
- 600 WG
- 150 WSP
- Full port
- NSF 61 Annex G certified (UL) (Annex G references NSF 372)
- Meets MSS SP-110 standards
- Blow-out proof stem
- Adjustable packing
- Sweat ends per ANSI B 16.18
- 100% electronically tested in pen and closed positing at 80 psi
- Optional lock lever
- Optional stem extension
- Optional tee handle (to 1")
- Optional oval handle
- Optional memory stop



NOT FOR USE AT OR BELOW GROUND LEVEL

Low Lead Compliant: Referring to laws defining "Lead Free" as wetted surface of pipe, fittings and fixtures in potable water systems that have a weighted average lead content $\leq 0.25\%$ per the Safe Drinking Water Act (Sec. 1417) amended 1-4-2011 as well as other state regulations.

ACCESSORIES/OPTIONS



Lock Lever



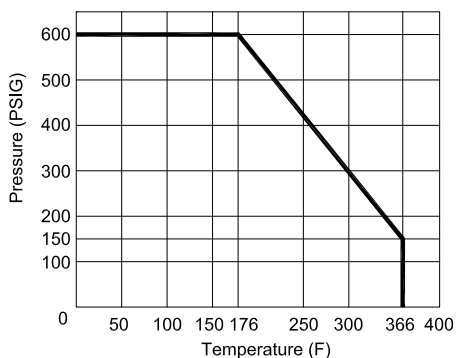
Stem Extension



Tee or Oval Handle



Memory Stop



SPECIFICATIONS

FIGURE X421 BRASS BODY BALL VALVES



LOW LEAD COMPLIANT 2-PC FULL PORT 600 WOG

FIGURE NUMBER MATRIX

FNW X421	
SIZE CODE (IN.)	
1/2 = D	1-1/4 = H
3/4 = F	1-1/2 = J
1 = G	2 = K

CV & WEIGHTS

Size (in.)	CV	Wt (Lbs)
1/2	19	0.50
3/4	34	0.77
1	50	1.19
1-1/4	103	2.20
1-1/2	266	3.24
2	307	4.21

KIT CODES

LOCKING LEVER*	EXTENSIONS	MEMORY STOPS	OVAL HANDLES	TEE HANDLES
1/2 = FNW420LHKBD	1/2 = FNW420SEBD	1/2 = FNW420MSKBD	1/2 = FNW420OHKBCD	1/2 = FNW420THKBD
3/4-1 = FNW420LHKFG	3/4-1 = FNW420SEFG	3/4-1 = FNW420MSKFG	3/4-1 = FNW420OHKFG	3/4-1 = FNW420THKFG
1-1/4-1-1/2 = FNW420LHKHJ	1-1/4-1-1/2 = FNW420SEHJ	1-1/4-1-1/2 = FNW420MSKHJ	1-1/4-1-1/2 = FNW420OHKHJ	
2 = FNW420LHKK	2 = FNW420SEK	2 = FNW420MSKK	2 = FNW420OHKK	

*Note: Locking lever kits are of the standard Figure 420 yellow sleeve type.

REFERENCE CHART

Item #	Size (in.)	Dimensions (in.)				
		ØD	E	H	L	L1
FNWX421D	1/2	0.59	3.86	1.81	2.58	0.50
FNWX421F	3/4	0.79	4.80	2.28	3.00	0.75
FNWX421G	1	0.98	4.80	2.44	3.56	0.91
FNWX421H	1-1/4	1.26	6.02	3.00	4.09	0.96
FNWX421J	1-1/2	1.57	6.02	3.23	4.56	1.10
FNWX421K	2	1.95	6.38	3.74	5.45	1.34

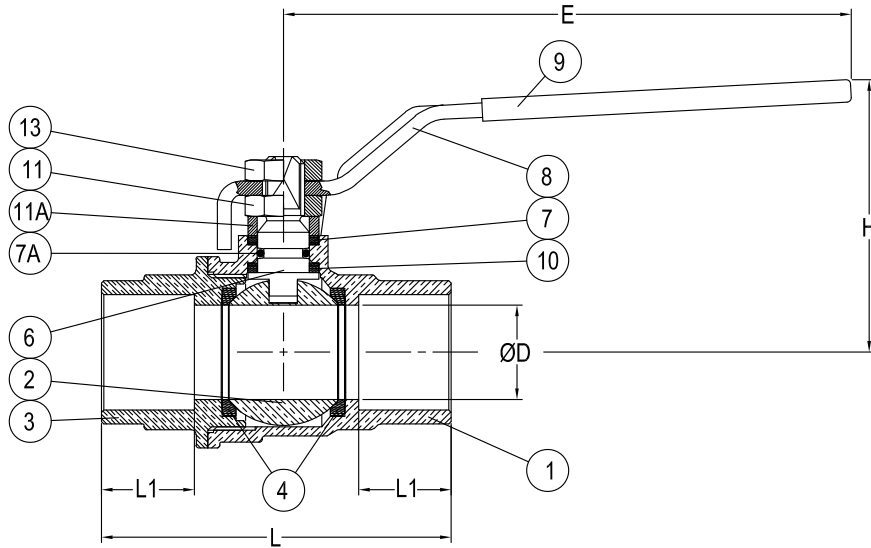
PARTS BREAKDOWN

FIGURE X421
BRASS BODY BALL VALVES



LOW LEAD COMPLIANT 2-PC FULL PORT 600 WOG

PARTS DIAGRAM



PART MATERIALS & QUANTITY

Ref #	Description	Material	Qty
1	Body	Brass CW 510L	1
2	Ball	Brass CW 510L (Chrome-Plated)	1
3	End Cap	Brass CW 510L	1
4	Seat	PTFE	2
6	Stem	Brass CW 510L	1
7	Stem Packing	PTFE	1 Set
7A	Stem O-Ring	NBR 75 Shore A	1
8	Handle	Steel DD11	1
9	Sleeve	Vinyl	1
10	Thrust Washer	PTFE	1
11	Gland Nut	Steel CL 04	1
11A	Packing Gland	Brass CW 614N UNI 12164	1
13	Handle Nut	Steel CL 04	1