

# 200 PSI Butterfly Valves

Ductile Iron Body • Extended Neck • Geometric Drive • Molded-In Seat Liner  
• Lug and Wafer Style

**Sizes 2" through 12"**

Install between Std. ASME Class 125/150 flanges.  
Lug Style 200 PSI bi-directional dead end service rating without a downstream flange required.

THIRD PARTY CERTIFIED BY QAI TO MEET MSS SP-67 STANDARD •  
U.S. COAST GUARD "CATEGORY A" • CERTIFIED LEAD-FREE\* BY  
TRUESDAIL LABS TO NSF/ANSI 61-8 COMMERCIAL HOT 180°F  
AND NSF/ANSI 61 AND 372



NSF/ANSI 61  
NSF/ANSI 372



**WD-2000**  
Wafer Style  
EPDM Liner  
and Aluminum  
Bronze Disc



**LD-2000**  
Lug Style  
EPDM Liner  
and Aluminum  
Bronze Disc

## MATERIAL LIST

PART	SPECIFICATION
1. Stem	Stainless Steel ASTM A582 Type 416
2. Collar Bushing	Brass ASTM B16
3. Stem Seal	EPDM Rubber
4. Body Seal	EPDM Rubber
5. Nameplate	Aluminum
6. Upper Bushing	Copper CDA 122
7. Liner	EPDM Rubber
8. Disc	Alum. Brz. ASTM B148 Alloy 955
9. Lower Bushing	Copper CDA 122
10. Body Wafer	Ductile Iron ASTM A536
11. Body Lug	Ductile Iron ASTM A536

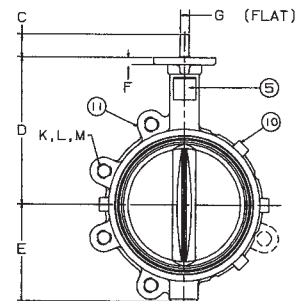
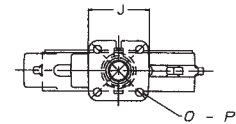
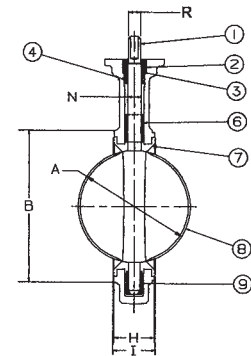
## DIMENSIONS — WEIGHTS

Size	G							Metal	Rubber	J	N
In. mm.	A	B	C	D	E	F	Flat	H	I	Square	Dia.
2 50	2.53	4.00	1.25	5.38	2.88	.38	.312	1.688	1.812	3.25	.500
2½ 65	2.90	4.69	1.25	5.88	3.27	.38	.370	1.812	1.938	3.25	.562
3 80	3.15	5.12	1.25	6.12	3.40	.38	.370	1.812	1.938	3.25	.562
4 100	4.09	6.12	1.25	6.88	4.00	.38	.403	2.062	2.188	3.25	.625
5 125	5.13	7.25	1.25	7.38	4.75	.38	.496	2.188	2.312	3.25	.750
6 150	6.13	8.25	1.25	8.00	5.29	.38	.496	2.188	2.312	3.25	.750
8 200	8.13	10.41	1.25	9.25	6.50	.50	.560	2.375	2.500	3.25	.875
10 250	10.13	12.52	1.25	10.50	8.00	.50	.686	2.688	2.812	4.75	1.125
12 300	12.13	15.00	1.25	12.00	9.25	.50	.748	3.000	3.125	4.75	1.250

### Capscrew/Stud Data

Size	O	P	R	K	L	Wafer	Lug	M	Lug Weight		Wafer Weight	
In. mm.	B.C.	Dia.	Dia.	No.	Dia.	Length	Length	B.C.	Lbs.	Kg.	Lbs.	Kg.
2 50	3.25	.437	.437	4	5/8-11unc			4 3/4	7	3.2	5.5	2.5
2½ 65	3.25	.437	.500	4	5/8-11unc			5 1/2	9	4.1	7.5	3.4
3 80	3.25	.437	.500	4	5/8-11unc			6	9.5	4.3	8	3.6
4 100	3.25	.437	.562	8	5/8-11unc			7 1/2	15	6.8	11	5.0
5 125	3.25	.437	.656	8	3/4-10unc			8 1/2	21	9.5	15	6.8
6 150	3.25	.437	.656	8	3/4-10unc			9 1/2	24	10.9	18	8.2
8 200	3.25	.437	.781	8	3/4-10unc			11 3/4	34	15.4	28	12.7
10 250	5.00	.562	1.000	12	7/8-9unc			14 1/4	62	28.1	45.5	20.7
12 300	5.00	.562	1.062	12	7/8-9unc			17	90	40.9	70	31.8

Refer to butterfly valve technical information for bolt lengths



NOT RECOMMENDED FOR STEAM SERVICE

For actuated service where a lower torque is required use NIBCO Fig. No. WDLXXX-0 or LDLXXX-0 series, sizes 2" thru 12" only. Maximum pressure rating of 100 PSI for wet application and 50 PSI for dry application.

Visit our website for the most current information.

\*Weighted average lead content ≤ 0.25%