



M&M Manufacturing Company

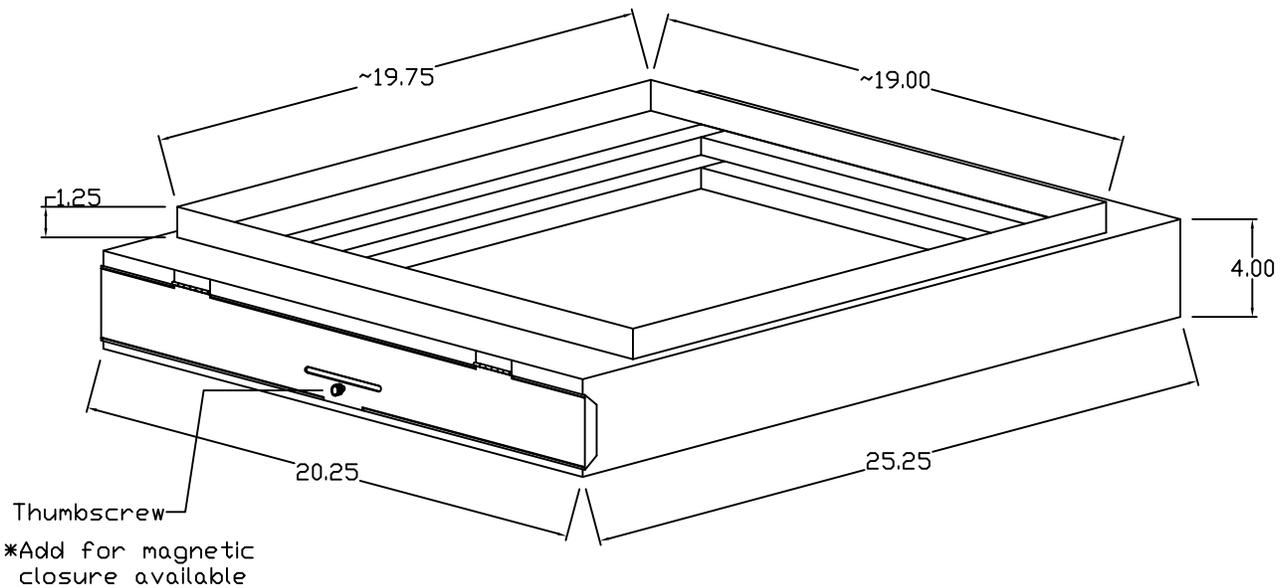
www.mmmfg.com

FORT WORTH (Mark IV Pkwy)
(817)-336-2311

FORT WORTH (Adolph)
(817)-334-0034

DALLAS
(972)-485-1504

HOUSTON
(713)-690-0585



PART #: MP-RR20 **DESCRIPTION:** Universal filter rack (horizontal unit)

NOTES: Material: ASTM-A653 CS B galvanized steel

For 20" x 25" x 1" filter (20" access side)

Fits 20" x 19 1/4" plenum

Solid back for duct tap in

Order as Pt# MP-RR20 (specify if magnetic closure is desired)