

For Residential and Commercial Applications

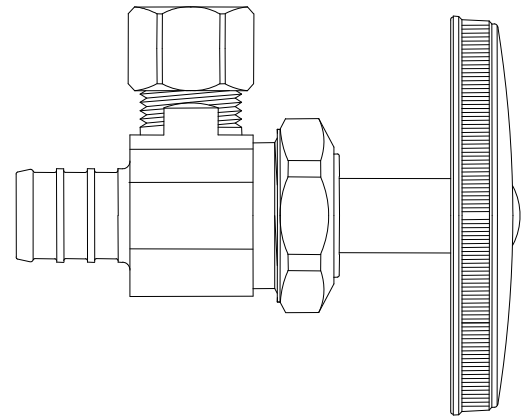
Job Name		Engineer / Architect	
Job Location		Wholesaler	
Submittal Date		Contractor	

BRPX1901 Multi-Turn Dual Outlet Stop – Barbed PEX (Inlet) x Compression x Compression

Use: For use in potable water distribution systems. Not intended for recirculating systems that produce continuous use temperatures above 115° F. For those applications, use BrassCraft’s KT series ball stop.

Design Features:

- **Machined one-piece brass body** provides strength, durability and long-lasting performance
- **Knurled oval handle** provides a secure grip and smooth on/off operation
- **Easy-to-remove handle** with screw attachment protects accidental stop operation during rough-ins
- **Compliant Stops** available for California and Vermont “low-lead” requirements.



Operating Specifications:

Temperature: 40°- 140° F

Pressure: 125 psi maximum

Standard

MATERIAL SPECIFICATIONS	
Valve Body	C36000 brass
Stem	POM
Bib & Packing Washers	Nitrile or EPDM rubber
Packing Nut	EPDM
Handle	Lexan
Handle Screw	Zinc-plated steel
Plastic Sleeve	Delrin
Compression Sleeve	C36000 brass
Compression Nut	C36000 brass, chrome plated

Compliant

MATERIAL SPECIFICATIONS	
Valve Body	Compliant brass
Stem	POM
Bib & Packing Washers	Nitrile or EPDM rubber
Packing Nut	EPDM
Handle	Lexan
Handle Screw	Zinc-plated steel
Plastic Sleeve	Delrin
Compression Sleeve	C36000 brass
Compression Nut	Compliant brass, chrome plated

Standard Part Listing:

- BRPX1901LR R1 1/2” Nom. Crimp Barb (for PEX) x 3/8” OD Compression x 3/8” OD Compression, rough brass, window tray

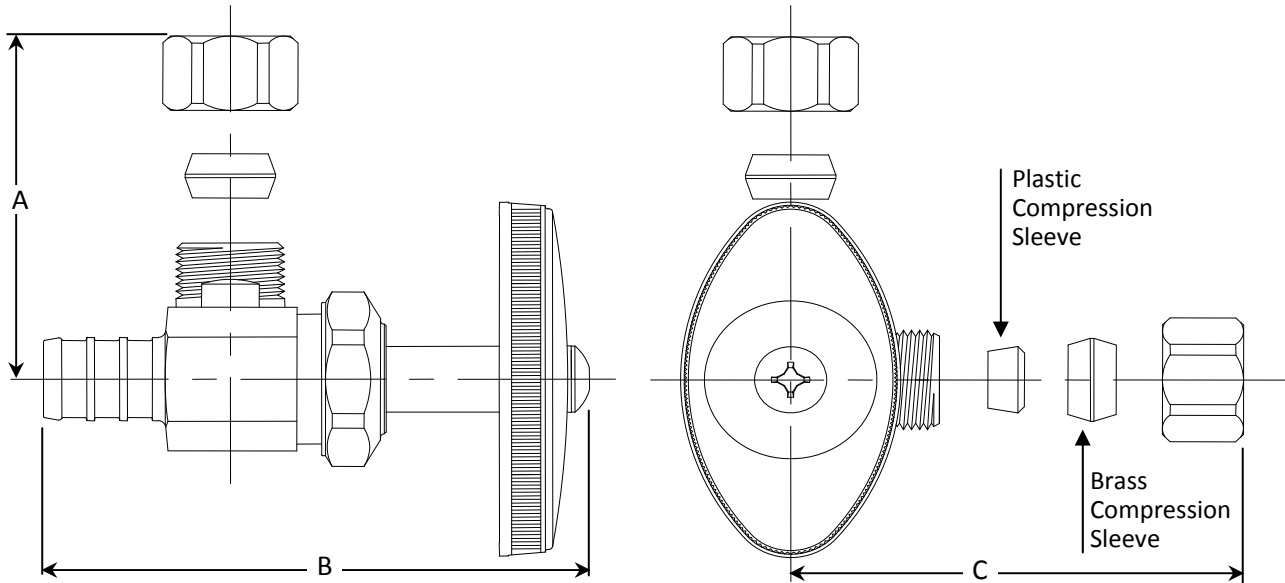
Compliant Part Listing:

- BRPX1901LRX R1 1/2” Nom. Crimp Barb (for PEX) x 3/8” OD Compression x 3/8” OD Compression, rough brass, window tray

This specification and all information contained herein is the confidential and exclusive property of BrassCraft Manufacturing, and shall not be disclosed to others without the written consent of BrassCraft. This specification must be returned to BrassCraft if requested.



BRPX1901 Multi-Turn Dual Outlet Stop – Barbed PEX (Inlet) x Compression x Compression



PART DIMENSIONS (Inches)			
Model	DIM. A	DIM. B	DIM. C
BRPX1901LR	1.06	2.82	1.06

Listings & Certifications:

- IAPMO listed to ASME A112.18.1-05 / CSA B125.1-05 (File # 0645)
- CSA listed to ASME A112.18.1-05 / CSA B125.1-05 (File # 204593)
- Compliant product CSA approved to California Health & Safety Code 116875 and Vermont Bill S.152 (Project # 2174785)



This specification and all information contained herein is the confidential and exclusive property of BrassCraft Manufacturing, and shall not be disclosed to others without the written consent of BrassCraft. This specification must be returned to BrassCraft if requested.

BrassCraft®