

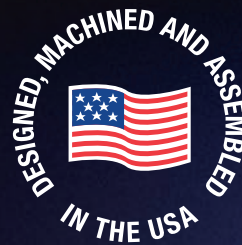
BrassCraft®



WATER STOPS HERE



KT™ Series 1/4 Turn Ball Stops



 **No Lead**



Just like you, the BrassCraft® KT™ Series ¼ Turn Ball Stops outperform – stopping at nothing to get the job done right. Designed, Machined and Assembled in the U.S.A., these stops provide uncompromising quality, dependability and innovation. With premium features, a sleek appearance and ease-of-use, the KT Series ¼ Turn Ball Stop is nothing short of brilliant. That is why plumbers have trusted BrassCraft products for more than 65 years.

Every KT Series ¼ Turn Ball Stop offers:

High Performance Seats Uniquely designed PTFE seats provide corrosion resistance and a watertight seal while assuring ease of use, even after long periods of time.

Precision — Machined Brass Ball Specially engineered brass ball mated with PTFE seats resists corrosion, provides long life and ensures ease of operation.

Chrome-Plated Brass Body Machined one-piece brass body for strength and durability with chrome finish for corrosion resistance and fine appearance.

Double O-Rings Ensures safe, reliable performance.

Plated Stem Provides corrosion resistance and prevents o-ring damage after long periods of non-use.

Chrome Plated, Metal Handle Designed for durability, corrosion resistance, and a sleek appearance.

100% Leak Tested Each stop is leak tested to ensure reliability.

Compliant KT Stops Meets “no-lead” requirements.

The KT Series ¼ Turn Ball Stop by BrassCraft Manufacturing – with uncompromising quality and superior performance, it stops short of nothing.

Committed to Quality, Driven by Innovation



BrassCraft®



Scan for more information.

BrassCraft Manufacturing Co.
39600 Orchard Hill Place
Novi, Michigan 48375-5331
TOLL FREE (877) 272-7755
FAX: (248) 305-6011

www.brasscraft.com

35 Currah Road
St. Thomas, Ontario N5P 3R2
(519) 633-0340
FAX: (519) 633-0777

For Residential and Commercial Applications

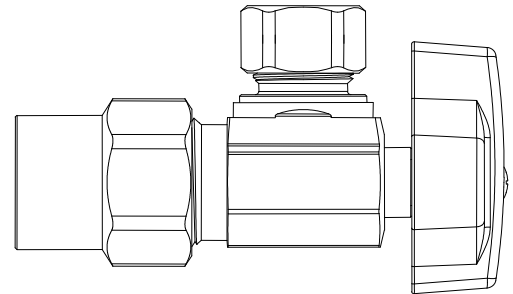
Job Name		Engineer / Architect	
Job Location		Wholesaler	
Submittal Date		Contractor	

KTPR19 1/4 Turn Angle Ball Stop – CPVC x Compression

Use: For use in potable water distribution systems

Design Features:

- **Precision-machined brass ball** is specially engineered and mated with PTFE seats to provide smooth operation without freeze ups even after long periods of non-use
- **TWO high-performance o-rings** withstand high temperatures and corrosion from harsh water environments
- **Machined one-piece brass body** provides strength, durability and long-lasting performance
- **Blow-out proof brass stem** is assembled from the inside out with two o-rings to ensure safe, reliable performance
- **Plated stem** provides corrosion resistance and prevents o-ring damage after long periods of non-use
- **Patented, chrome plated metal handle** is designed for durability, corrosion resistance & a sleek appearance
- **Easy-to-remove handle** with screw attachment protects accidental stop operation during rough-ins
- **100% leak tested**
- **Compliant KT Stops** available for California and Vermont “low-lead” requirements



Operating Specifications:

Temperature: 40°- 180° F
Pressure: 125 psi maximum

Standard

MATERIAL SPECIFICATIONS	
Valve Body	C36000 brass
Stem	DZR brass, plated
Seats	PTFE
Ball	C36000 brass, precision machined
Stem O-rings	Viton* & Nitrile
Handle	Zinc die cast
Handle Screw	Zinc-plated steel
CPVC Insert	CPVC 23447-B
CPVC Washer	EPDM rubber
Compression Sleeve	C36000 brass
CPVC & Compr. Nut	C36000 brass

Compliant

MATERIAL SPECIFICATIONS	
Valve Body	Compliant brass
Stem	Compliant brass, plated
Seats	PTFE
Ball	Compliant brass, precision machined
Stem O-ring	Viton* & Nitrile
Handle	Zinc die cast
Handle Screw	Zinc-plated steel
CPVC Insert	CPVC 23447-B
CPVC Washer	EPDM rubber
Compression Sleeve	C36000 brass
CPVC & Compr. Nut	C36000 brass

*Viton is a registered trademark of DuPont Dow Elastomers, L.L.C.

This specification and all information contained herein is the confidential and exclusive property of BrassCraft Manufacturing, and shall not be disclosed to others without the written consent of BrassCraft. This specification must be returned to BrassCraft if requested.



KTPR19 1/4 Turn Angle Ball Stop – CPVC x Compression

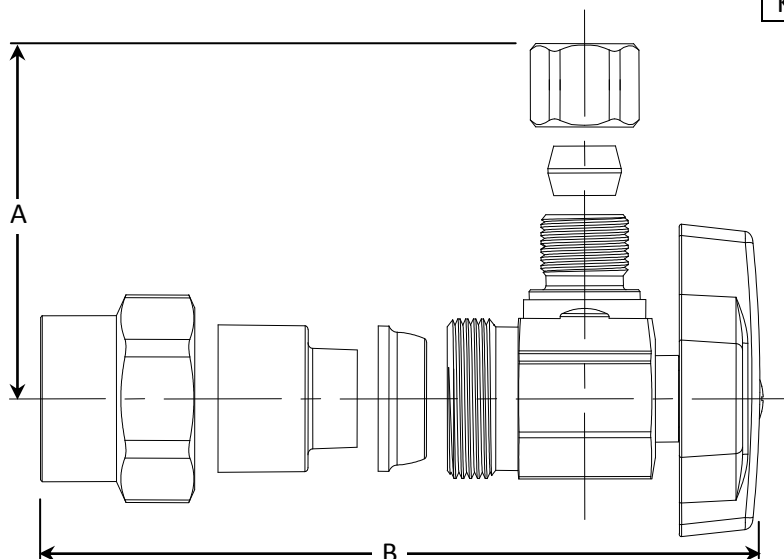
Standard Part Listing:

- KTPR19 C 1/2" Nom. CPVC x 3/8" OD Compression, chrome plated
- KTPR19 C1 1/2" Nom. CPVC x 3/8" OD Compression, chrome plated, window tray

Compliant Part Listing:

- KTPR19X C 1/2" Nom. CPVC x 3/8" OD Compression, chrome plated

PART DIMENSIONS (Inches)		
<i>Model</i>	<i>DIM. A</i>	<i>DIM. B</i>
KTPR19	1.20	1.84



Listings & Certifications:

- IAPMO listed to ASME A112.18.1-05 / CSA B125.1-05 (File # 0645)
- CSA listed to ASME A112.18.1-05 / CSA B125.1-05 (File # 204593)
- Compliant product CSA approved to California Health & Safety Code 116875 and Vermont Bill S.152 (Project # 2174785)



This specification and all information contained herein is the confidential and exclusive property of BrassCraft Manufacturing, and shall not be disclosed to others without the written consent of BrassCraft. This specification must be returned to BrassCraft if requested.

