

For Residential and Commercial Applications

| | | | |
|----------------|--|----------------------|--|
| Job Name | | Engineer / Architect | |
| Job Location | | Wholesaler | |
| Submittal Date | | Contractor | |

69 Series Compression x Male Iron Pipe Reducing Elbows

Use: For use with potable and non-potable water, instrumentation, hydraulic, and pneumatic systems. Designed for use with aluminum, copper, and plastic tubing*. Not intended for use with steel tubing.

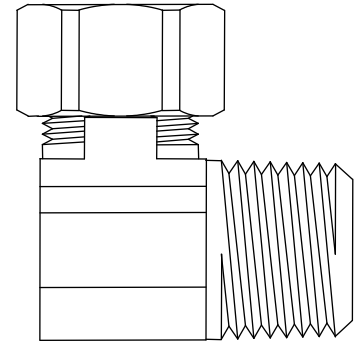
* Plastic tubing requires a plastic insert and sleeve (see 60PT & 63PT submittal forms for details)

Design Features:

- **Little to no tube preparation.** Compression fittings do not require flaring, soldering or other types of tube preparation
- **Available in a broad range of sizes**
- **No-lead available**

Operating Specifications:

- Temperature:** -65° - 250°F at maximum operating temperatures
Working Pressure: See chart below
Vibration: Fair vibration resistance



| WORKING PRESSURE | | |
|------------------|-----------|--------------------|
| PSI | Tube O.D. | Tube Wall (Inches) |
| 400 | 1/8 | 0.030 |
| 400 | 3/16 | 0.030 |
| 300 | 1/4 | 0.030 |
| 300 | 5/16 | 0.032 |
| 200 | 3/8 | 0.032 |
| 200 | 1/2 | 0.032 |
| 150 | 5/8 | 0.035 |
| 100 | 3/4 | 0.035 |
| 75 | 7/8 | 0.035 |

Standard Product

| MATERIAL SPECIFICATIONS | |
|---------------------------|----------------|
| Fitting Body | Brass |
| Compression Sleeve | Brass |
| Compression Nut | Brass |
| Option | Chrome plating |

Standard Part Listing:

- 69-3-2 3/16" OD Tube x 1/8" MIP
- 69-3-2-1 B 3/16" OD Tube x 1/8" MIP - body only, bulk
- 69-3-4 3/16" OD Tube x 1/4" MIP, bulk

This specification and all information contained herein is the confidential and exclusive property of BrassCraft Manufacturing, and shall not be disclosed to others without the written consent of BrassCraft. This specification must be returned to BrassCraft if requested.



69 Series Compression x Male Iron Pipe Reducing Elbows

Standard Part Listing (con't):

| | | |
|--------------------------|-------------|--|
| <input type="checkbox"/> | 69-3-4-1 B | 3/16" OD Tube x 1/4" MIP- body only, bulk |
| <input type="checkbox"/> | 69-4-2 | 1/4" OD Tube x 1/8" MIP |
| <input type="checkbox"/> | 69-4-2 B | 1/4" OD Tube x 1/8" MIP, bulk |
| <input type="checkbox"/> | 69-4-2-1 B | 1/4" OD Tube x 1/8" MIP - body only, bulk |
| <input type="checkbox"/> | 69-4-6 | 1/4" OD Tube x 3/8" MIP |
| <input type="checkbox"/> | 69-4-6 B | 1/4" OD Tube x 3/8" MIP, bulk |
| <input type="checkbox"/> | 69-4-6-1 B | 1/4" OD Tube x 3/8" MIP - body only, bulk |
| <input type="checkbox"/> | 69-4-8 | 1/4" OD Tube x 1/2" MIP |
| <input type="checkbox"/> | 69-5-2 | 5/16" OD Tube x 1/8" MIP |
| <input type="checkbox"/> | 69-5-2-1 B | 5/16" OD Tube x 1/8" MIP - body only, bulk |
| <input type="checkbox"/> | 69-5-4 | 5/16" OD Tube x 1/4" MIP |
| <input type="checkbox"/> | 69-5-4 B | 5/16" OD Tube x 1/4" MIP, bulk |
| <input type="checkbox"/> | 69-5-4-1 B | 5/16" OD Tube x 1/4" MIP - body only, bulk |
| <input type="checkbox"/> | 69-5-6 | 5/16" OD Tube x 3/8" MIP |
| <input type="checkbox"/> | 69-5-6-1 B | 5/16" OD Tube x 3/8" MIP - body only, bulk |
| <input type="checkbox"/> | 69-5-8 | 5/16" OD Tube x 1/2" M.I.P |
| <input type="checkbox"/> | 69-6-2 | 3/8" OD Tube x 1/8" MIP |
| <input type="checkbox"/> | 69-6-2 B | 3/8" OD Tube x 1/8" MIP, bulk |
| <input type="checkbox"/> | 69-6-2-1 B | 3/8" OD Tube x 1/8" MIP - body only, bulk |
| <input type="checkbox"/> | 69-6-4 | 3/8" OD Tube x 1/4" MIP |
| <input type="checkbox"/> | 69-6-4 B | 3/8" OD Tube x 1/4" MIP, bulk |
| <input type="checkbox"/> | 69-6-4 C | 3/8" OD Tube x 1/4" MIP, chrome plated |
| <input type="checkbox"/> | 69-6-4-1 B | 3/8" OD Tube x 1/4" MIP - body only, bulk |
| <input type="checkbox"/> | 69-6-4-1 CB | 3/8" OD Tube x 1/4" MIP - body only, bulk |
| <input type="checkbox"/> | 69-6-8 | 3/8" OD Tube x 1/2" MIP |
| <input type="checkbox"/> | 69-6-8 B | 3/8" OD Tube x 1/2" MIP, bulk |
| <input type="checkbox"/> | 69-6-8 C | 3/8" OD Tube x 1/2" MIP, chrome plated |
| <input type="checkbox"/> | 69-6-8 CB | 3/8" OD Tube x 1/2" MIP, chrome plated, bulk |
| <input type="checkbox"/> | 69-6-8-1 B | 3/8" OD Tube x 1/2" MIP - body only, bulk |
| <input type="checkbox"/> | 69-6-8-1 CB | 3/8" OD Tube x 1/2" MIP - body only, bulk |
| <input type="checkbox"/> | 69-6-12 | 3/8" OD Tube x 3/4" MIP |
| <input type="checkbox"/> | 69-7-4 | 7/16" OD Tube x 1/4" MIP |
| <input type="checkbox"/> | 69-7-6 | 7/16" OD Tube x 3/8" MIP |
| <input type="checkbox"/> | 69-8-4 | 1/2" OD Tube x 1/4" MIP |
| <input type="checkbox"/> | 69-8-4-1 B | 1/2" OD Tube x 1/4" MIP - body only, bulk |
| <input type="checkbox"/> | 69-8-6 | 1/2" OD Tube x 3/8" MIP |
| <input type="checkbox"/> | 69-8-6 B | 1/2" OD Tube x 3/8" MIP, bulk |
| <input type="checkbox"/> | 69-8-6 C | 1/2" OD Tube x 3/8" MIP, chrome plated |
| <input type="checkbox"/> | 69-8-6 CB | 1/2" OD Tube x 3/8" MIP, chrome plated, bulk |
| <input type="checkbox"/> | 69-8-6-1 B | 1/2" OD Tube x 3/8" MIP - body only, bulk |
| <input type="checkbox"/> | 69-8-6-1 CB | 1/2" OD Tube x 3/8" MIP - body only, chrome plated, bulk |
| <input type="checkbox"/> | 69-10-6 | 5/8" OD Tube x 3/8" MIP |
| <input type="checkbox"/> | 69-10-6 B | 5/8" OD Tube x 3/8" MIP, bulk |
| <input type="checkbox"/> | 69-10-6-1 B | 5/8" OD Tube x 3/8" MIP - body only, bulk |
| <input type="checkbox"/> | 69-10-8 | 5/8" OD Tube x 1/2" MIP |

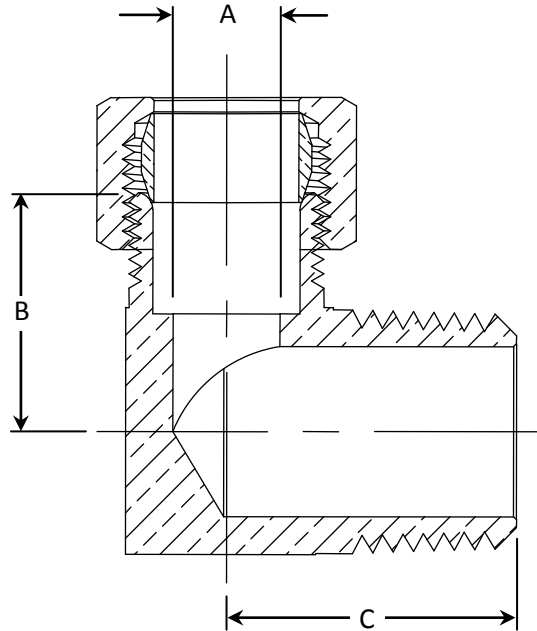
This specification and all information contained herein is the confidential and exclusive property of BrassCraft Manufacturing, and shall not be disclosed to others without the written consent of BrassCraft. This specification must be returned to BrassCraft if requested.

BrassCraft[®]

69 Series Compression x Male Iron Pipe Reducing Elbows

Standard Part Listing (con't):

- 69-10-8 B 5/8" OD Tube x 1/2" MIP, bulk
- 69-10-8-1 B 5/8" OD Tube x 1/2" MIP - body only, bulk
- 69-10-12 5/8" OD Tube x 3/4" MIP
- 69-10-12-1 B 5/8" OD Tube x 3/4" MIP - body only, bulk
- 69-14-12 7/8" OD Tube x 3/4" MIP
- 69-14-12 B 7/8" OD Tube x 3/4" MIP, bulk



| PART DIMENSIONS (Inches) | | | |
|--------------------------|--------|--------|--------|
| Model | DIA. A | DIM. B | DIM. C |
| 69-3-2 | .12 | 0.60 | 0.69 |
| 69-3-4 | .12 | 0.59 | 0.81 |
| 69-4-2 | .19 | 0.60 | 0.69 |
| 69-4-6 | .19 | 0.68 | 0.94 |
| 69-4-8 | .19 | 0.98 | 1.12 |
| 69-5-2 | .25 | 0.66 | 0.75 |
| 69-5-4 | .25 | 0.66 | 0.81 |
| 69-5-6 | .25 | 0.75 | 0.91 |
| 69-5-8 | .25 | 0.78 | 0.93 |
| 69-6-2 | .22 | 0.63 | 0.73 |
| 69-6-4 | .31 | 0.73 | 0.84 |

| PART DIMENSIONS (Inches) | | | |
|--------------------------|--------|--------|--------|
| Model | DIA. A | DIM. B | DIM. C |
| 69-6-8 | .32 | 0.80 | 0.96 |
| 69-6-12 | .31 | 1.03 | 1.19 |
| 69-7-4 | .31 | 0.84 | 1.00 |
| 69-7-6 | .41 | 0.75 | 0.87 |
| 69-8-4 | .41 | 0.88 | 0.97 |
| 69-8-6 | .44 | 0.75 | 0.87 |
| 69-10-6 | .41 | 1.04 | 1.16 |
| 69-10-8 | .50 | 1.06 | 1.29 |
| 69-10-12 | .50 | 1.16 | 1.31 |
| 69-14-12 | .75 | 1.25 | 1.38 |

This specification and all information contained herein is the confidential and exclusive property of BrassCraft Manufacturing, and shall not be disclosed to others without the written consent of BrassCraft. This specification must be returned to BrassCraft if requested.

BrassCraft[®]

For Residential and Commercial Applications

| | | | |
|----------------|--|----------------------|--|
| Job Name | | Engineer / Architect | |
| Job Location | | Wholesaler | |
| Submittal Date | | Contractor | |

69 Series Compression x Male Iron Pipe Elbows

Use: For use with potable and non-potable water, instrumentation, hydraulic, and pneumatic systems. Designed for use with aluminum, copper, and plastic tubing*. Not intended for use with steel tubing.

* Plastic tubing requires a plastic insert and a sleeve (see 60PT & 63PT submittal forms for details)

Design Features:

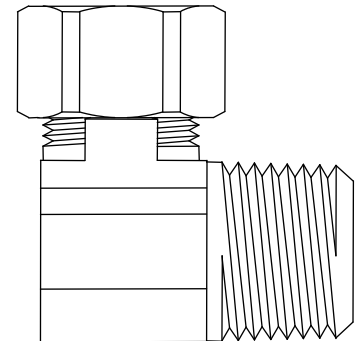
- **Little to no tube preparation.** Compression fittings do not require flaring, soldering, or other types of tube preparation
- **Available in a broad range of sizes**
- **No Lead**

Operating Specifications:

Temperature: -65° - 250°F at maximum operating temperatures

Working Pressure: See chart below

Vibration: Fair vibration resistance



| WORKING PRESSURE | | |
|------------------|---------|--------------------|
| PSI | Tube OD | Tube Wall (Inches) |
| 400 | 1/8 | 0.030 |
| 300 | 1/4 | 0.030 |
| 200 | 3/8 | 0.032 |
| 200 | 1/2 | 0.032 |

| MATERIAL SPECIFICATIONS | |
|---------------------------|----------------|
| Body | Brass |
| Compression Sleeve | Brass |
| Compression Nut | Brass |
| Option | Chrome plating |

Part Listing:

- 69-2-2X 1/8" OD tube x 1/8" MIP
- 69-2-2-1X B 1/8" OD tube x 1/8" MIP - body only, bulk
- 69-4-4X 1/4" OD tube x 1/4" MIP
- 69-4-4-1X B 1/4" OD tube x 1/4" MIP - body only, bulk
- 69-6-6X 3/8" OD tube x 3/8" MIP
- 69-6-6X B 3/8" OD tube x 3/8" MIP, bulk
- 69-6-6X C 3/8" OD tube x 3/8" MIP, chrome plated
- 69-6-6X CB 3/8" OD tube x 3/8" MIP, chrome plated, bulk
- 69-6-6X CD 3/8" OD tube x 3/8" MIP, chrome plated, carded
- 69-6-6-1X B 3/8" OD tube x 3/8" MIP - body only, bulk
- 69-6-6-1X CB 3/8" OD tube x 3/8" MIP - body only, chrome plated, bulk

This specification and all information contained herein is the confidential and exclusive property of BrassCraft Manufacturing Co., and shall not be disclosed to others without the written consent of BrassCraft Mfg. Co. This specification must be returned to BrassCraft Mfg. Co. if requested.

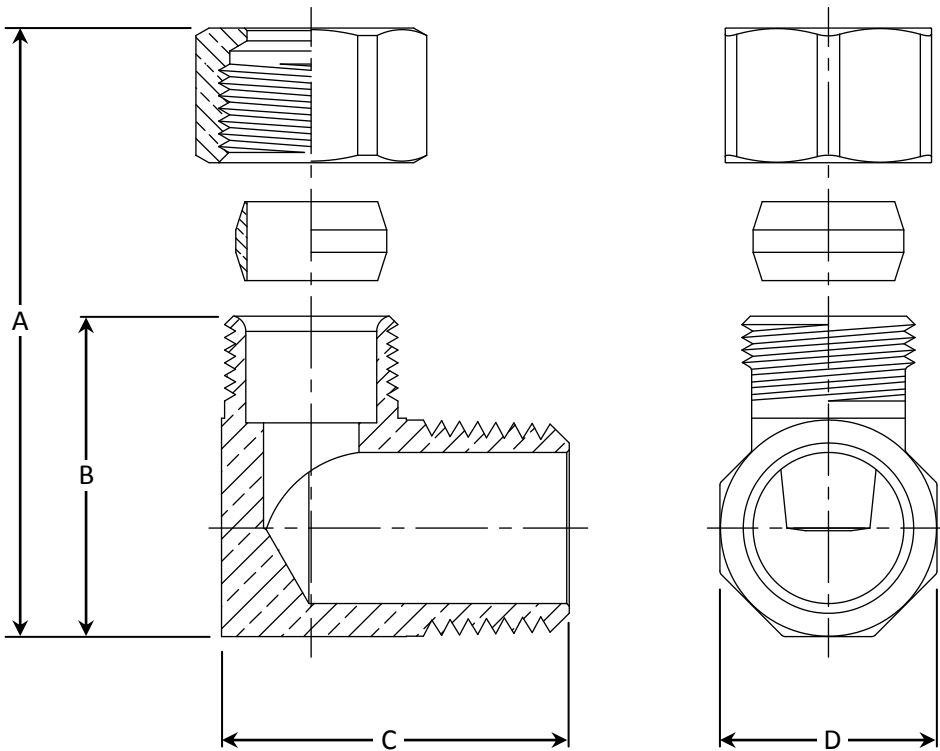


69 Series Compression x Male Iron Pipe Elbows

Part Listing (con't):

- 69-8-8X 1/2" OD tube x 1/2" MIP
- 69-8-8X C 1/2" OD tube x 1/2" MIP, chrome plated
- 69-8-8-1X B 1/2" OD tube x 1/2" MIP - body only, bulk

| PART DIMENSIONS (Inches) | | | | |
|---------------------------------|---------------|---------------|---------------|---------------|
| Model | DIM. A | DIM. B | DIM. C | DIM. D |
| 69-2-2X | .95 | 0.74 | 0.78 | .46 |
| 69-4-4X | 1.22 | 0.94 | 1.13 | .58 |
| 69-6-6X | 1.34 | 1.07 | 1.13 | .69 |
| 69-8-8X | 1.50 | 1.17 | 1.37 | .82 |



Listings & Certifications:

- No-lead product CSA listed to NSF 372 (Class 6853-01)



This specification and all information contained herein is the confidential and exclusive property of BrassCraft Manufacturing Co., and shall not be disclosed to others without the written consent of BrassCraft Mfg. Co. This specification must be returned to BrassCraft Mfg. Co. if requested.

BrassCraft®