

For Residential and Commercial Applications

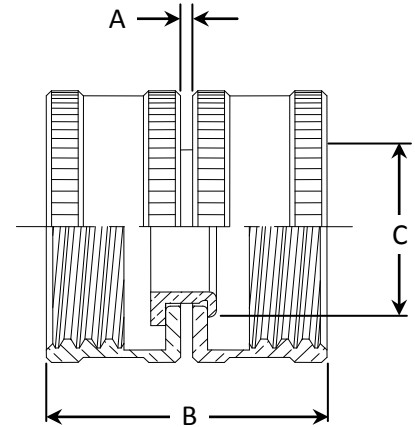
Job Name		Engineer / Architect	
Job Location		Wholesaler	
Submittal Date		Contractor	

HUS-12 Garden Hose Swivel Union – Female Hose Thread

Use: For use with residential and commercial grade garden hose. All female hose thread connections require a rubber washer (sold separately) inserted prior to installation

Operating Specifications:

- Temperature:** -35° - 100°F
- Working Pressure:** 75 PSI maximum, intermittent to 150 PSI



Standard

MATERIAL SPECIFICATIONS	
Fitting Body	C36000 brass

Compliant

MATERIAL SPECIFICATIONS	
Fitting Body	Compliant brass

Standard Part Listing:

- HUS-12 3/4" Female Hose Thread x 3/4" Female Hose Thread, swivel, rough brass
- HUS-12 B 3/4" Female Hose Thread x 3/4" Female Hose Thread, swivel, rough brass, bulk

Compliant Part Listing:

- HUS-12X 3/4" Female Hose Thread x 3/4" Female Hose Thread, swivel, rough brass
- HUS-12X B 3/4" Female Hose Thread x 3/4" Female Hose Thread, swivel, rough brass, bulk

PART DIMENSIONS (Inches)			
Model	DIM. A	DIM. B	DIA. C
HUS-12	.05	1.17	.80
HUS-12-1	.05	1.17	.80

Listings & Certifications:

- Compliant product CSA approved to California Health & Safety Code 116875 and Vermont Bill S.152 (Project # 2174785)



This specification and all information contained herein is the confidential and exclusive property of BrassCraft Manufacturing, and shall not be disclosed to others without the written consent of BrassCraft. This specification must be returned to BrassCraft if requested.

