

For Residential and Commercial Applications

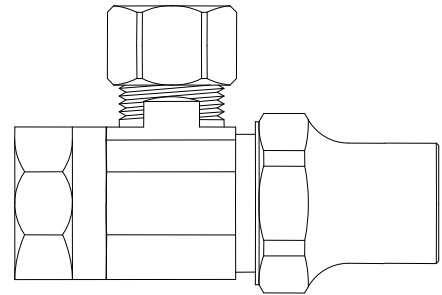
Job Name		Engineer / Architect	
Job Location		Wholesaler	
Submittal Date		Contractor	

SR15/ SR35 & SR07/ SR17/ SR27/ SR37 Multi-Turn Angle Stop w/ Loose Key – Female Iron Pipe x Compression

Use: For use in potable water distribution systems. Not intended for recirculating water systems that produce continuous use temperatures above 115° F. For those applications, use BrassCraft KT series ball stops

Design Features:

- **Machined one-piece brass body** provides strength, durability and long-lasting performance
- **Large loose key handle** provides a secure grip for trouble-free on/off operation
- **Removable loose key handle** helps protect against accidental stop operation during rough-ins and general use
- **Compliant Stops** available for California and Vermont “low-lead” requirements



Operating Specifications:

Temperature: 40°- 140° F
Pressure: 125 psi maximum



Standard

MATERIAL SPECIFICATIONS	
Valve Body	C36000 brass
Loose Key Stem	C36000 brass
Bib & Packing Washers	Nitrile or EPDM rubber
Bonnet Nut	C36000 brass
Compression Sleeve	C36000 brass
Compression Nut	C36000 brass, chrome plated
Loose Key	Zinc die cast

Compliant

MATERIAL SPECIFICATIONS	
Valve Body	Compliant brass
Loose Key Stem	Compliant brass
Bib & Packing Washers	Nitrile or EPDM rubber
Bonnet Nut	Compliant brass
Compression Sleeve	Compliant brass
Compression Nut	C36000 brass, chrome plated
Loose Key	Zinc die cast

Standard Part Listing:

- SR15 C 3/8" F.I.P. x 3/8" OD Compression with loose key, chrome plated
- SR15 R 3/8" F.I.P. x 3/8" OD Compression with loose key, rough brass
- SR35 C 3/8" F.I.P. x 1/2" OD Compression with loose key, chrome plated
- SR07 C 1/2" F.I.P. x 1/4" OD Compression with loose key, chrome plated
- SR17 C 1/2" F.I.P. x 3/8" OD Compression with loose key, chrome plated
- SR17 CBT 1/2" F.I.P. x 3/8" OD Compression with loose key, chrome plated, bulk, plain tray
- SR17 C1 1/2" F.I.P. x 3/8" OD Compression with loose key, chrome plated, window box
- SR17 R 1/2" F.I.P. x 3/8" OD Compression with loose key, rough brass

This specification and all information contained herein is the confidential and exclusive property of BrassCraft Manufacturing, and shall not be disclosed to others without the written consent of BrassCraft. This specification must be returned to BrassCraft if requested.



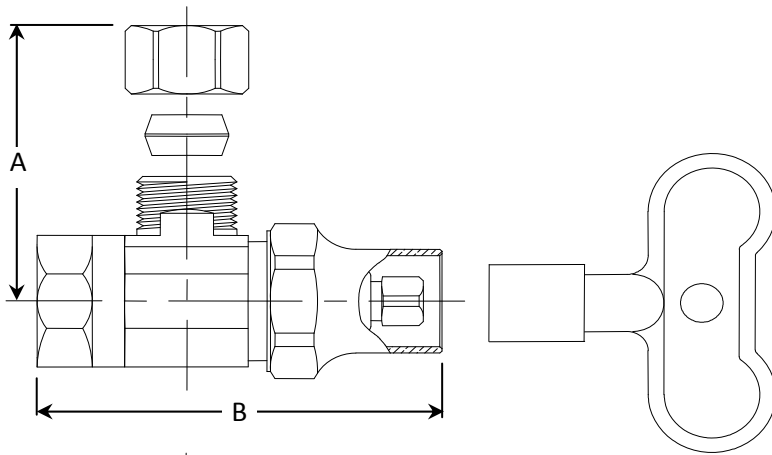
SR15/ SR35 & SR07/ SR17/ SR27/ SR37 Multi-Turn Angle Stop w/ Loose Key – Female Iron Pipe x Compression

Standard Part Listing (con't):

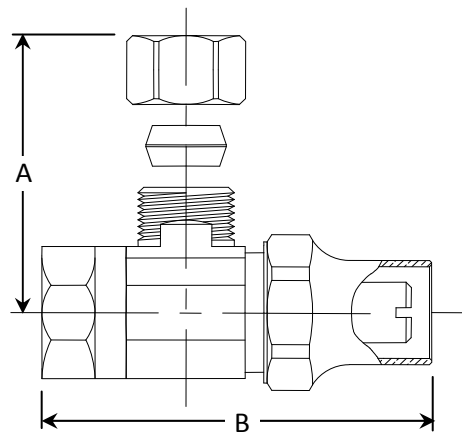
- SR27 C 1/2" F.I.P. x 7/16" OD Compression with loose key, chrome plated
- SR37 C 1/2" F.I.P. x 1/2" OD Compression with loose key, chrome plated
- SR37 C1 1/2" F.I.P. x 1/2" OD Compression with loose key, chrome plated, window box
- SR37 R 1/2" F.I.P. x 1/2" OD Compression with loose key, rough brass
- SSR15 C 3/8" F.I.P. x 3/8" OD Compression with screwdriver slot, chrome plated
- SSR35 C 3/8" F.I.P. x 1/2" OD Compression with screwdriver slot, chrome plated
- SSR17 C 1/2" F.I.P. x 3/8" OD Compression with screwdriver slot, chrome plated
- SSR17 R 1/2" F.I.P. x 3/8" OD Compression with screwdriver slot, rough brass
- SSR37 C 1/2" F.I.P. x 1/2" OD Compression with loose key, chrome plated

Compliant Part Listing:

- SR15X C 3/8" F.I.P. x 3/8" OD Compression with loose key, chrome plated
- SR07X C 1/2" F.I.P. x 1/4" OD Compression with loose key, chrome plated
- SR17X C 1/2" F.I.P. x 3/8" OD Compression with loose key, chrome plated
- SR37X C 1/2" F.I.P. x 1/2" OD Compression with loose key, chrome plated
- SSR17X C 1/2" F.I.P. x 3/8" OD Compression with screwdriver slot, chrome plated



PART DIMENSIONS (Inches)		
Model	DIM. A	DIM. B
SR15	1.02	2.23
SR07	1.06	2.28
SR17	1.06	2.28
SR27	1.14	2.28
SR37	1.16	2.28
SSR15	1.02	2.23
SSR35	1.11	2.23
SSR17	1.06	2.28
SSR37	1.16	2.28



Listings & Certifications:

- IAPMO listed to ASME A112.18.1-05 and CSA B125.1-05 (File # 0645)
- CSA listed to ASME A112.18.1-05 and CSA B125.1-05 (File # 204593)
- Compliant product CSA approved to California Health and Safety Code 116875 and Vermont Bill S.152 (Project # 2174785)



This specification and all information contained herein is the confidential and exclusive property of BrassCraft Manufacturing, and shall not be disclosed to others without the written consent of BrassCraft. This specification must be returned to BrassCraft if requested.

BrassCraft®