

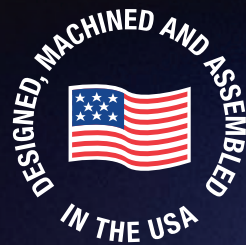
**BrassCraft®**



# **WATER STOPS HERE**



KT™ Series 1/4 Turn Ball Stops



 **No Lead**



Just like you, the BrassCraft® KT™ Series ¼ Turn Ball Stops outperform – stopping at nothing to get the job done right. Designed, Machined and Assembled in the U.S.A., these stops provide uncompromising quality, dependability and innovation. With premium features, a sleek appearance and ease-of-use, the KT Series ¼ Turn Ball Stop is nothing short of brilliant. That is why plumbers have trusted BrassCraft products for more than 65 years.

### ***Every KT Series ¼ Turn Ball Stop offers:***

**High Performance Seats** Uniquely designed PTFE seats provide corrosion resistance and a watertight seal while assuring ease of use, even after long periods of time.

**Precision — Machined Brass Ball** Specially engineered brass ball mated with PTFE seats resists corrosion, provides long life and ensures ease of operation.

**Chrome-Plated Brass Body** Machined one-piece brass body for strength and durability with chrome finish for corrosion resistance and fine appearance.

**Double O-Rings** Ensures safe, reliable performance.

**Plated Stem** Provides corrosion resistance and prevents o-ring damage after long periods of non-use.

**Chrome Plated, Metal Handle** Designed for durability, corrosion resistance, and a sleek appearance.

**100% Leak Tested** Each stop is leak tested to ensure reliability.

**Compliant KT Stops** Meets “no-lead” requirements.

**The KT Series ¼ Turn Ball Stop by BrassCraft Manufacturing – with uncompromising quality and superior performance, it stops short of nothing.**

**Committed to Quality, Driven by Innovation**



**BrassCraft®**



Scan for more information.

**BrassCraft Manufacturing Co.**  
39600 Orchard Hill Place  
Novi, Michigan 48375-5331  
TOLL FREE (877) 272-7755  
FAX: (248) 305-6011

[www.brasscraft.com](http://www.brasscraft.com)

35 Currah Road  
St. Thomas, Ontario N5P 3R2  
(519) 633-0340  
FAX: (519) 633-0777

**For Residential and Commercial Applications**

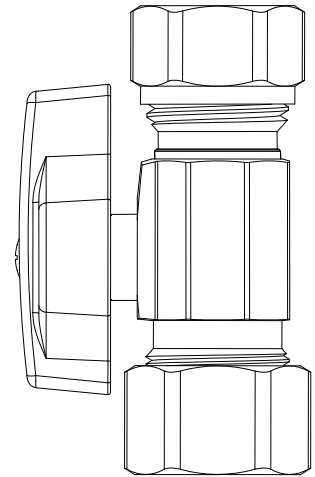
Job Name		Engineer / Architect	
Job Location		Wholesaler	
Submittal Date		Contractor	

## KT3345 1/4 Turn Straight Ball Stop – Compression x Slip-Joint

**Use:** For use in potable water distribution systems.

**Design Features:**

- **Precision-machined brass ball** is specially engineered and mated with PTFE seats to provide smooth operation without freeze ups even after long periods of non-use
- **TWO high-performance o-rings** withstand high temperatures and corrosion from harsh water environments
- **Machined one-piece brass body** provides strength, durability and long-lasting performance
- **Blow-out proof brass stem** is assembled from the inside out with two o-rings to ensure safe, reliable performance
- **Plated stem** provides corrosion resistance and prevents o-ring damage after long periods of non-use
- **Patented, chrome plated metal handle** is designed for durability, corrosion resistance & a sleek appearance
- **Easy-to-remove handle** with screw attachment protects accidental stop operation during rough-ins
- **100% leak tested**
- **Compliant KT Stops** available for California and Vermont “low-lead” requirements



**Operating Specifications:**

**Temperature:** 40°- 180° F  
**Pressure:** 125 psi maximum

**Standard**

MATERIAL SPECIFICATIONS	
<b>Valve Body</b>	C36000 brass
<b>Stem</b>	DZR brass, plated
<b>Seats</b>	PTFE
<b>Ball</b>	C36000 brass, precision machined
<b>Stem O-rings</b>	Viton* & Nitrile
<b>Handle</b>	Zinc die cast
<b>Handle Screw</b>	Zinc-plated steel
<b>Slip-Joint Washer</b>	NBR rubber
<b>Friction Rings</b>	C27200 brass
<b>Compression Ring</b>	C36000 brass
<b>Nuts</b>	C36000 brass

**Compliant**

MATERIAL SPECIFICATIONS	
<b>Valve Body</b>	Compliant brass
<b>Stem</b>	Compliant brass, plated
<b>Seats</b>	PTFE
<b>Ball</b>	Compliant brass, precision machined
<b>Stem O-ring</b>	Viton* & Nitrile
<b>Handle</b>	Zinc die cast
<b>Handle Screw</b>	Zinc-plated steel
<b>Slip-Joint Washer</b>	NBR rubber
<b>Friction Rings</b>	C27200 brass
<b>Compression Ring</b>	C36000 brass
<b>Nuts</b>	C36000 brass

\*Viton is a registered trademark of DuPont Dow Elastomers, L.L.C.

*This specification and all information contained herein is the confidential and exclusive property of BrassCraft Manufacturing, and shall not be disclosed to others without the written consent of BrassCraft. This specification must be returned to BrassCraft if requested.*



# KT3345 1/4 Turn Straight Ball Stop – Compression x Slip-Joint

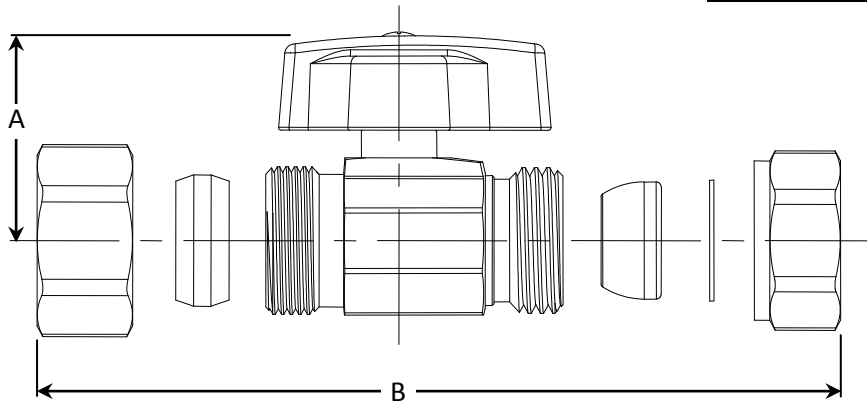
**Standard Part Listing:**

- KT3345 C 1/2" Nom. Compression x 7/16" & 1/2" Slip-Joint, chrome plated
- KT3345 C1 1/2" Nom. Compression x 7/16" & 1/2" Slip-Joint, chrome plated, window tray

**Compliant Part Listing:**

- KT3345X C 1/2" Nom. Compression x 7/16" & 1/2" Slip-Joint, chrome plated

PART DIMENSIONS (Inches)		
Model	DIM. A	DIM. B
KT3345	1.14	2.47



**Listings & Certifications:**

- IAPMO listed to ASME A112.18.1-05 / CSA B125.1-05 (File # 0645)
- CSA listed to ASME A112.18.1-05 / CSA B125.1-05 (File # 204593)
- Compliant product CSA approved to California Health & Safety Code 116875 and Vermont Bill S.152 (Project # 2174785)



*This specification and all information contained herein is the confidential and exclusive property of BrassCraft Manufacturing, and shall not be disclosed to others without the written consent of BrassCraft. This specification must be returned to BrassCraft if requested.*

**BrassCraft®**