

For Residential and Commercial Applications

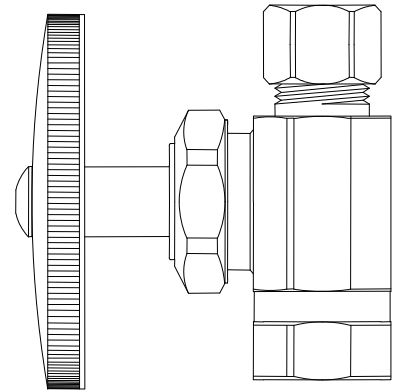
| | | | |
|----------------|--|----------------------|--|
| Job Name | | Engineer / Architect | |
| Job Location | | Wholesaler | |
| Submittal Date | | Contractor | |

OR10/ OR12/ OR30/ OR32 Multi-Turn Straight Stop – Female Iron Pipe x Compression

Use: For use in potable water distribution systems. Not intended for recirculating water systems that produce continuous use temperatures above 115° F. For those applications, use BrassCraft KT series ball stops

Design Features:

- **Machined one-piece brass body** provides strength, durability and long-lasting performance
- **Oval knurled handle** provides a secure grip and smooth on/off operation
- **Easy-to-remove handle** with screw attachment protects accidental stop operation during rough-ins
- **Compliant Stops** available for California and Vermont “low-lead” requirements



Operating Specifications:

Temperature: 40° - 140° F
Pressure: 125 psi maximum



Standard

| MATERIAL SPECIFICATIONS | |
|----------------------------------|-----------------------------------|
| Valve Body | C36000 brass |
| Stem | POM or C36000 brass* |
| Bib & Packing Washers | Nitrile or EPDM rubber |
| Packing Nut | C36000 brass |
| Handle | Metal, chrome plated ABS or Lexan |
| Handle Screw | Zinc-plated steel |
| Compression Sleeve | C36000 brass |
| Compression Nut | C36000 brass |

Compliant

| MATERIAL SPECIFICATIONS | |
|----------------------------------|-----------------------------------|
| Valve Body | Compliant brass |
| Stem | POM or Compliant brass* |
| Bib & Packing Washers | Nitrile or EPDM rubber |
| Packing Nut | Compliant brass |
| Handle | Metal, chrome plated ABS or Lexan |
| Handle Screw | Zinc-plated steel |
| Compression Sleeve | Compliant brass |
| Compression Nut | C36000 brass |

*Where specified

Standard Part Listing:

- OR10 C 3/8" F.I.P. x 3/8" OD Compression, chrome plated
- OR10 C1 3/8" F.I.P. x 3/8" OD Compression, chrome plated, window tray
- OR10 CBT 3/8" F.I.P. x 3/8" OD Compression, chrome plated, bulk, plain tray
- OR10 C5T 3/8" F.I.P. x 3/8" OD Compression, chrome plated, bulk, plain tray, sleeve of 5
- OR10 R 3/8" F.I.P. x 3/8" OD Compression, rough brass
- OR10 R1 3/8" F.I.P. x 3/8" OD Compression, rough brass, window box

This specification and all information contained herein is the confidential and exclusive property of BrassCraft Manufacturing, and shall not be disclosed to others without the written consent of BrassCraft. This specification must be returned to BrassCraft if requested.



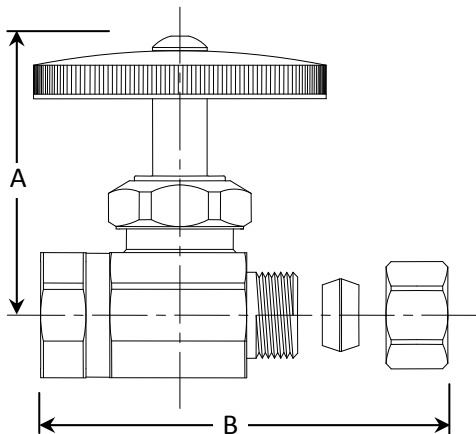
OR10/ OR12/ OR30/ OR32 Multi-Turn Straight Stop – Female Iron Pipe x Compression

Standard Part Listing (con't):

| | | |
|--------------------------|----------|---|
| <input type="checkbox"/> | OR10Z C | 3/8" F.I.P. x 3/8" OD Compression, brass stem, chrome plated |
| <input type="checkbox"/> | OR10 BZ | 3/8" F.I.P. x 3/8" OD Compression, oil rubbed bronze |
| <input type="checkbox"/> | OR10 NS | 3/8" F.I.P. x 3/8" OD Compression, satin nickel |
| <input type="checkbox"/> | OR30 C | 3/8" F.I.P. x 1/2" OD Compression, chrome plated |
| <input type="checkbox"/> | OR30 RBT | 3/8" F.I.P. x 1/2" OD Compression, rough brass, bulk, plain tray |
| <input type="checkbox"/> | OR12 C | 1/2" F.I.P. x 3/8" OD Compression, chrome plated |
| <input type="checkbox"/> | OR12 CBT | 1/2" F.I.P. x 3/8" OD Compression, chrome plated, bulk, plain tray |
| <input type="checkbox"/> | OR12 C1 | 1/2" F.I.P. x 3/8" OD Compression, chrome plated, window box |
| <input type="checkbox"/> | OR12 C5T | 1/2" F.I.P. x 3/8" OD Compression, chrome plated, sleeve of 5, plain tray |
| <input type="checkbox"/> | OR12Z C | 1/2" F.I.P. x 3/8" OD Compression, brass stem, chrome plated |
| <input type="checkbox"/> | OR12 R | 1/2" F.I.P. x 3/8" OD Compression, rough brass |
| <input type="checkbox"/> | OR12 R1 | 1/2" F.I.P. x 3/8" OD Compression, rough brass, window box |
| <input type="checkbox"/> | OR12 BZ | 1/2" F.I.P. x 3/8" OD Compression, oil rubbed bronze |
| <input type="checkbox"/> | OR12 NS | 1/2" F.I.P. x 3/8" OD Compression, satin nickel |
| <input type="checkbox"/> | OR12 P | 1/2" F.I.P. x 3/8" OD Compression, polished brass |
| <input type="checkbox"/> | OR32 C | 1/2" F.I.P. x 1/2" OD Compression, chrome plated |
| <input type="checkbox"/> | OR32 C1 | 1/2" F.I.P. x 1/2" OD Compression, chrome plated, window box |
| <input type="checkbox"/> | OR32Z C | 1/2" F.I.P. x 1/2" OD Compression, brass stem, chrome plated |

Compliant Part Listing:

| | | |
|--------------------------|----------|--|
| <input type="checkbox"/> | OR10X C1 | 3/8" F.I.P. x 3/8" OD Compression, chrome plated, window box |
| <input type="checkbox"/> | OR12X C | 1/2" F.I.P. x 3/8" OD Compression, chrome plated |
| <input type="checkbox"/> | OR12X C1 | 1/2" F.I.P. x 3/8" OD Compression, chrome plated, window box |
| <input type="checkbox"/> | OR32X C | 1/2" F.I.P. x 1/2" OD Compression, chrome plated |
| <input type="checkbox"/> | OR32X C1 | 1/2" F.I.P. x 1/2" OD Compression, chrome plated, window box |



| PART DIMENSIONS (Inches) | | |
|--------------------------|--------|--------|
| Model | DIM. A | DIM. B |
| OR10 | 1.94 | 2.02 |
| OR10Z | 1.94 | 2.02 |
| OR30 | 1.94 | 2.02 |
| OR12 | 1.63 | 2.07 |
| OR12Z | 1.63 | 2.07 |
| OR32 | 1.70 | 2.22 |
| OR32Z | 1.70 | 2.22 |

Listings & Certifications:

- IAPMO listed to ASME A112.18.1-05 / CSA B125.1-05 (File # 0645)
- CSA listed to ASME A112.18.1-05 / CSA B125.1-05 (File # 204593)
- Compliant product CSA approved to California Health & Safety Code 116875 and Vermont Bill S.152 (Project # 2174785)



This specification and all information contained herein is the confidential and exclusive property of BrassCraft Manufacturing, and shall not be disclosed to others without the written consent of BrassCraft. This specification must be returned to BrassCraft if requested.

BrassCraft®