

*For Residential and Commercial Applications*

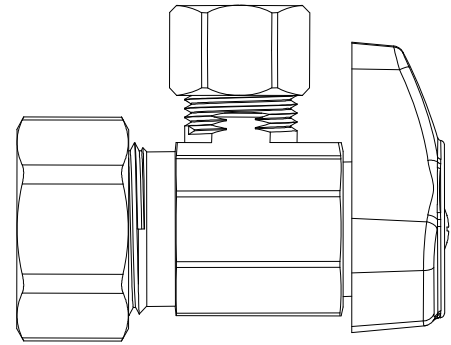
Job Name		Engineer / Architect	
Job Location		Wholesaler	
Submittal Date		Contractor	

## G2CR09/ G2CR19/ G2CR39 1/4 Turn Angle Stop – Compression x Compression

**Use:** For use in potable water distribution systems. Not intended for recirculating systems that produce continuous use temperatures above 115° F. For those applications, use BrassCraft’s KT series ball stop

**Design Features:**

- **One-Piece shut-off mechanism** provides smooth on-off operation without freeze ups even after long periods of non-use
- **Positive 1/4 turn shut-off**
- **Full-flow operation** with no waterway obstructions
- **Corrosion-resistant handle** is plated in an attractive chrome finish
- **Machined one-piece brass body** provides strength, durability and long-lasting performance
- **Easy-to-remove handle** with screw attachment protects accidental operation during rough-ins
- **100% leak tested**
- **Compliant G2 Stops** available for California and Vermont “low-lead” requirements



Patents 7,178,786  
7,036,793 &  
Design Patent 462,111



**Operating Specifications:**

**Temperature:** 40°- 140° F  
**Pressure:** 125 psi maximum

**Standard**

MATERIAL SPECIFICATIONS	
<b>Valve Body</b>	<b>C36000 Brass</b>
<b>Stem Barrel</b>	<b>Santoprene</b>
<b>Stem Shaft</b>	<b>Glass-filled Polypropylene</b>
<b>Stem O-ring</b>	<b>EPDM</b>
<b>Handle</b>	<b>Chrome-plated Zinc Die Cast</b>
<b>Screw</b>	<b>Zinc-plated Steel</b>
<b>Compression Sleeve</b>	<b>C36000 Brass</b>
<b>Compression Nut</b>	<b>Chrome-plated C36000 Brass</b>
<b>Insert*</b>	<b>PEX</b>

\*Where specified

**Compliant**

MATERIAL SPECIFICATIONS	
<b>Valve Body</b>	<b>Compliant brass</b>
<b>Stem Barrel</b>	<b>Santoprene</b>
<b>Stem Shaft</b>	<b>Glass-filled Polypropylene</b>
<b>Stem O-ring</b>	<b>EPDM</b>
<b>Handle</b>	<b>Chrome-plated Zinc Die Cast</b>
<b>Screw</b>	<b>Zinc-plated Steel</b>
<b>Compression Sleeve</b>	<b>C36000 Brass</b>
<b>Compression Nut</b>	<b>Chrome-plated C36000 Brass</b>

**Standard Part Listing:**

- G2CR09 C            1/2" Nom. Compression x 1/4" OD Compression, chrome plated
- G2CR09 C1        1/2" Nom. Compression x 1/4" OD Compression, chrome plated, window tray

*This specification and all information contained herein is the confidential and exclusive property of BrassCraft Manufacturing, and shall not be disclosed to others without the written consent of BrassCraft. This specification must be returned to BrassCraft if requested.*



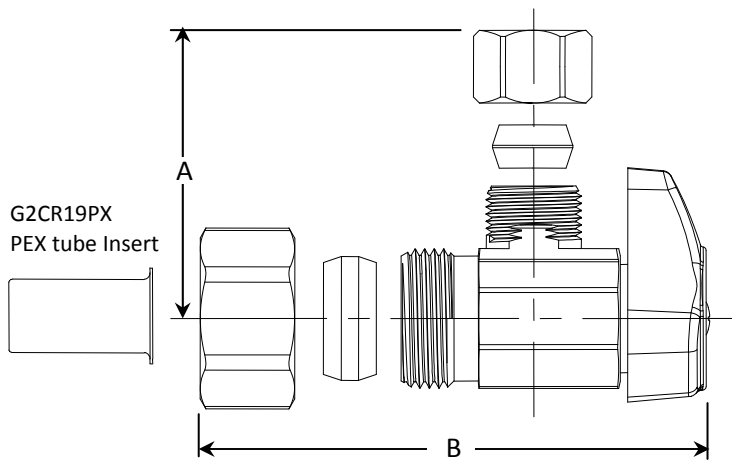
# G2CR09/ G2CR19/ G2CR39 1/4 Turn Angle Stop – Compression x Compression

## Standard Part Listing (con't):

- G2CR09 CD 1/2" Nom. Compression x 1/4" OD Compression, chrome plated, blister card
- G2CR09 R 1/2" Nom. Compression x 1/4" OD Compression, rough brass
- G2CR19 C 1/2" Nom. Compression x 3/8" OD Compression, chrome plated
- G2CR19 C1 1/2" Nom. Compression x 3/8" OD Compression, chrome plated, window tray
- G2CR19 CD 1/2" Nom. Compression x 3/8" OD Compression, chrome plated, blister card
- G2CR19 R 1/2" Nom. Compression x 3/8" OD Compression, rough brass
- G2CR19 R1 1/2" Nom. Compression x 3/8" OD Compression, rough brass, window tray
- G2CR19L1 CB 1/2" Nom. Compression x 3/8" OD Compression, less outlet nut, chrome plated, bulk
- G2CR19PX C 1/2" Nom. Compression w/ PEX insert x 3/8" OD Compression, chrome plated
- G2CR39 C 1/2" Nom. Compression x 1/2" OD Compression, chrome plated
- G2CR39 C1 1/2" Nom. Compression x 1/2" OD Compression, chrome plated, window tray
- G2CR39 CD 1/2" Nom. Compression x 1/2" OD Compression, chrome plated, blister card
- G2CR39 R 1/2" Nom. Compression x 1/2" OD Compression, rough brass

## Compliant Part Listing:

- G2CR09X C 1/2" Nom. Compression x 1/4" OD Compression, chrome plated
- G2CR09X C1 1/2" Nom. Compression x 1/4" OD Compression, chrome plated, window tray
- G2CR09X CD 1/2" Nom. Compression x 1/4" OD Compression, chrome plated, blister card
- G2CR09X R 1/2" Nom. Compression x 1/4" OD Compression, rough brass
- G2CR19X C 1/2" Nom. Compression x 3/8" OD Compression, chrome plated
- G2CR19X C1 1/2" Nom. Compression x 3/8" OD Compression, chrome plated, window tray
- G2CR19X CD 1/2" Nom. Compression x 3/8" OD Compression, chrome plated, blister card
- G2CR19X R 1/2" Nom. Compression x 3/8" OD Compression, rough brass
- G2CR19L1X CB 1/2" Nom. Compression x 3/8" OD Compression, less outlet nut, chrome plated, bulk
- G2CR39X CD 1/2" Nom. Compression x 1/2" OD Compression, chrome plated, blister card



<b>PART DIMENSIONS (Inches)</b>		
<b>Model</b>	<b>DIM. A</b>	<b>DIM. B</b>
G2CR09	1.02	2.16
G2CR19	1.02	2.16
G2CR19L1	.74	2.16
G2CR19PX	1.02	2.16
G2CR39	1.11	2.16

## Listings & Certifications:

- IAPMO listed to ASME A112.18.1-05 / CSA B125.1-05 (File # 0645)
- CSA listed to ASME A112.18.1-05 / CSA B125.1-05 (File # 204593)
- Compliant product CSA approved to California Health & Safety Code 116875 and Vermont Bill S.152 (Project # 2174785)



*This specification and all information contained herein is the confidential and exclusive property of BrassCraft Manufacturing, and shall not be disclosed to others without the written consent of BrassCraft. This specification must be returned to BrassCraft if requested.*

**BrassCraft®**