

*For Residential and Commercial Applications*

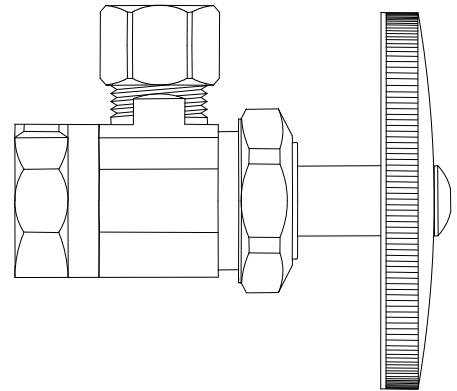
Job Name		Engineer / Architect	
Job Location		Wholesaler	
Submittal Date		Contractor	

## OR15/ OR35 & OR07/ OR17/ OR27/ OR37 Multi-Turn Angle Stop – Female Iron Pipe x Compression

**Use:** For use in potable water distribution systems. Not intended for recirculating water systems that produce continuous use temperatures above 115° F. For those applications, use BrassCraft KT series ball stops

**Design Features:**

- **Machined one-piece brass body** provides strength, durability and long-lasting performance
- **Oval knurled handle** provides a secure grip and smooth on/off operation
- **Easy-to-remove handle** with screw attachment protects accidental stop operation during rough-ins
- **Compliant Stops** available for California and Vermont “low-lead” requirements



**Operating Specifications:**

**Temperature:** 40° - 140° F

**Pressure:** 125 psi maximum



**Standard**

MATERIAL SPECIFICATIONS	
<b>Valve Body</b>	C36000 brass
<b>Stem</b>	POM or C36000 brass*
<b>Bib &amp; Packing Washers</b>	Nitrile or EPDM rubber
<b>Packing Nut</b>	C36000 brass
<b>Handle</b>	Metal, chrome plated ABS or Lexan
<b>Handle Screw</b>	Zinc-plated steel
<b>Compression Sleeve</b>	C36000 brass
<b>Compression Nut</b>	C36000 brass, chrome plated

\*Where specified

**Compliant**

MATERIAL SPECIFICATIONS	
<b>Valve Body</b>	Compliant brass
<b>Stem</b>	POM or Compliant brass*
<b>Bib &amp; Packing Washers</b>	Nitrile or EPDM rubber
<b>Packing Nut</b>	Compliant brass
<b>Handle</b>	Metal, chrome plated ABS or Lexan
<b>Handle Screw</b>	Zinc-plated steel
<b>Compression Sleeve</b>	Compliant brass
<b>Compression Nut</b>	C36000 brass, chrome plated

**Standard Part Listing:**

- OR15 C            3/8" F.I.P. x 3/8" OD Compression, chrome plated
- OR15 C1          3/8" F.I.P. x 3/8" OD Compression, chrome plated, window box
- OR15 CBT        3/8" F.I.P. x 3/8" OD Compression, chrome plated, bulk
- OR15 C5T        3/8" F.I.P. x 3/8" OD Compression, chrome plated, sleeve of 5, plain tray
- OR15 R            3/8" F.I.P. x 3/8" OD Compression, rough brass
- OR15 R1          3/8" F.I.P. x 3/8" OD Compression, rough brass, window box

*This specification and all information contained herein is the confidential and exclusive property of BrassCraft Manufacturing, and shall not be disclosed to others without the written consent of BrassCraft. This specification must be returned to BrassCraft if requested.*



# OR15/ OR35 & OR07/ OR17/ OR27/ OR37 Multi-Turn Angle Stop – Female Iron Pipe x Compression

## Standard Part Listing (con't):

<input type="checkbox"/>	OR15Z C	3/8" F.I.P. x 3/8" OD Compression, brass stem, chrome plated
<input type="checkbox"/>	OR15TZ CB	3/8" F.I.P. x 3/8" OD Compression, brass stem, chrome plated, bulk, no tray
<input type="checkbox"/>	OR15 BZ	3/8" F.I.P. x 3/8" OD Compression, oil rubbed bronze
<input type="checkbox"/>	OR15 NP	3/8" F.I.P. x 3/8" OD Compression, polished nickel
<input type="checkbox"/>	OR15 NS	3/8" F.I.P. x 3/8" OD Compression, satin nickel
<input type="checkbox"/>	OR15 P	3/8" F.I.P. x 3/8" OD Compression, polished brass
<input type="checkbox"/>	OR35 C	3/8" F.I.P. x 1/2" OD Compression, chrome plated
<input type="checkbox"/>	OR35Z C	3/8" F.I.P. x 1/2" OD Compression, brass stem, chrome plated
<input type="checkbox"/>	OR07 C	1/2" F.I.P. x 1/4" OD Compression, chrome plated
<input type="checkbox"/>	OR07 C1	1/2" F.I.P. x 1/4" OD Compression, chrome plated, window tray
<input type="checkbox"/>	OR07 R	1/2" F.I.P. x 1/4" OD Compression, rough brass
<input type="checkbox"/>	OR07Z C	1/2" F.I.P. x 1/4" OD Compression, brass stem, chrome plated
<input type="checkbox"/>	OR17 C	1/2" F.I.P. x 3/8" OD Compression, chrome plated
<input type="checkbox"/>	OR17 C1	1/2" F.I.P. x 3/8" OD Compression, chrome plated, window tray
<input type="checkbox"/>	OR17 CBT	1/2" F.I.P. x 3/8" OD Compression, chrome plated, bulk, plain tray
<input type="checkbox"/>	OR17 C5T	1/2" F.I.P. x 3/8" OD Compression, chrome plated, sleeve of 5, plain tray
<input type="checkbox"/>	OR17 R	1/2" F.I.P. x 3/8" OD Compression, rough brass
<input type="checkbox"/>	OR17 R1	1/2" F.I.P. x 3/8" OD Compression, rough brass, window tray
<input type="checkbox"/>	OR17Z C	1/2" F.I.P. x 3/8" OD Compression, brass stem, chrome plated
<input type="checkbox"/>	OR17Z CBT	1/2" F.I.P. x 3/8" OD Compression, brass stem, chrome plated, bulk, plain tray
<input type="checkbox"/>	OR17TZ CB	1/2" F.I.P. x 3/8" OD Compression, brass stem, chrome plated, bulk, no tray
<input type="checkbox"/>	OR17 BZ	1/2" F.I.P. x 3/8" OD Compression, oil rubbed bronze
<input type="checkbox"/>	OR17 NP	1/2" F.I.P. x 3/8" OD Compression, polished nickel
<input type="checkbox"/>	OR17 NS	1/2" F.I.P. x 3/8" OD Compression, satin nickel
<input type="checkbox"/>	OR17 P	1/2" F.I.P. x 3/8" OD Compression, polished brass
<input type="checkbox"/>	OR27 C	1/2" F.I.P. x 7/16" OD Compression, chrome plated
<input type="checkbox"/>	OR27 C1	1/2" F.I.P. x 7/16" OD Compression, chrome plated, window tray
<input type="checkbox"/>	OR27 R	1/2" F.I.P. x 7/16" OD Compression, rough brass
<input type="checkbox"/>	OR27Z C	1/2" F.I.P. x 7/16" OD Compression, brass stem, chrome plated
<input type="checkbox"/>	OR37 C	1/2" F.I.P. x 1/2" OD Compression, chrome plated
<input type="checkbox"/>	OR37 C1	1/2" F.I.P. x 1/2" OD Compression, chrome plated, window tray
<input type="checkbox"/>	OR37 R	1/2" F.I.P. x 1/2" OD Compression, rough brass
<input type="checkbox"/>	OR37Z C	1/2" F.I.P. x 1/2" OD Compression, brass stem, chrome plated
<input type="checkbox"/>	OR37 P	1/2" F.I.P. x 1/2" OD Compression, polished brass

## Compliant Part Listing:

<input type="checkbox"/>	OR15X C	3/8" F.I.P. x 3/8" OD Compression, chrome plated
<input type="checkbox"/>	OR15X C1	3/8" F.I.P. x 3/8" OD Compression, chrome plated, window tray
<input type="checkbox"/>	OR15ZX C	3/8" F.I.P. x 3/8" OD Compression, brass stem, chrome plated
<input type="checkbox"/>	OR07X C	1/2" F.I.P. x 1/4" OD Compression, chrome plated
<input type="checkbox"/>	OR07X C1	1/2" F.I.P. x 1/4" OD Compression, chrome plated, window tray
<input type="checkbox"/>	OR07X R	1/2" F.I.P. x 1/4" OD Compression, rough brass
<input type="checkbox"/>	OR17X C	1/2" F.I.P. x 3/8" OD Compression, chrome plated
<input type="checkbox"/>	OR17X C1	1/2" F.I.P. x 3/8" OD Compression, chrome plated, window tray

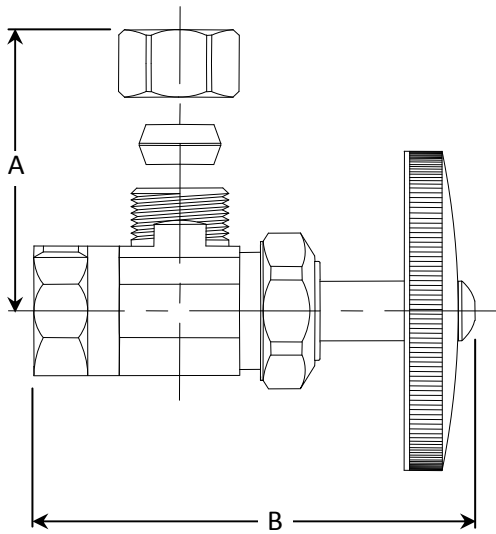
*This specification and all information contained herein is the confidential and exclusive property of BrassCraft Manufacturing, and shall not be disclosed to others without the written consent of BrassCraft. This specification must be returned to BrassCraft if requested.*

**BrassCraft**<sup>®</sup>

# OR15/ OR35 & OR07/ OR17/ OR27/ OR37 Multi-Turn Angle Stop – Female Iron Pipe x Compression

## Compliant Part Listing (con't):

- OR17X CH      1/2" F.I.P. x 3/8" OD Compression, chrome plated, bagged
- OR17X R        1/2" F.I.P. x 3/8" OD Compression, rough brass
- OR17X R1      1/2" F.I.P. x 3/8" OD Compression, rough brass, window tray
- OR17ZX C      1/2" F.I.P. x 3/8" OD Compression, brass stem, chrome plated
- OR17ZX CBT   1/2" F.I.P. x 3/8" OD Compression, brass stem, chrome plated, bulk, plain tray
- OR37X C        1/2" F.I.P. x 1/2" OD Compression, chrome plated
- OR37X C1      1/2" F.I.P. x 1/2" OD Compression, chrome plated, window tray



PART DIMENSIONS (Inches)		
Model	DIM. A	DIM. B
OR15/ OR15Z	1.10	2.54
OR35 /OR35Z	1.22	2.64
OR07 / OR07Z	1.08	2.68

PART DIMENSIONS (Inches)		
Model	DIM. A	DIM. B
OR17 / OR17Z	1.10	2.68
OR27 / OR27Z	1.15	2.68
OR37 / OR37Z	1.23	2.70

## Listings & Certifications:

- IAPMO listed to ASME A112.18.1-05 / CSA B125.1-05 (File # 0645)
- CSA listed to ASME A112.18.1-05 / CSA B125.1-05 (File # 204593)
- Compliant product CSA approved to California Health & Safety Code 116875 and Vermont Bill S.152 (Project # 2174785)



*This specification and all information contained herein is the confidential and exclusive property of BrassCraft Manufacturing, and shall not be disclosed to others without the written consent of BrassCraft. This specification must be returned to BrassCraft if requested.*

**BrassCraft®**