

For Residential and Commercial Applications

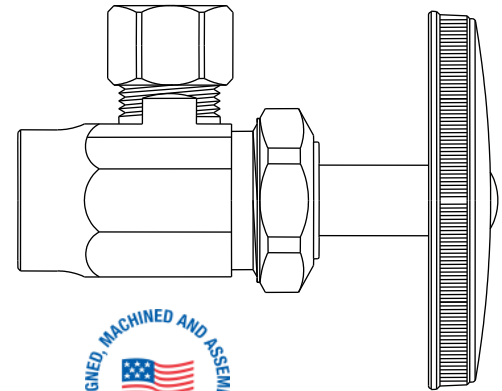
Job Name		Engineer / Architect	
Job Location		Wholesaler	
Submittal Date		Contractor	

R1B/09/19/39X Multi-Turn Angle Stop – Sweat x Compression

Use: For use with potable water systems in accessible locations only. Not intended for recirculating water systems that produce continuous use temperatures above 115° F. For those applications, use our KT™ series ball stops

Design Features:

- **Machined one-piece brass body** provides strength, durability, and long-lasting performance
- **Oval knurled handle** provides a secure grip and smooth on/off operation
- **Easy-to-remove handle** with screw attachment protects accidental stop operation during rough-ins
- ✓



Excludes loose key handle

Operating Specifications:

Temperature: 40° - 160° F
Pressure: 125 PSI maximum

STOP MATERIAL SPECIFICATIONS	
Body	<i>Brass or brass, plated</i>
Stem	<i>Brass; or brass, plated</i>
Bib & Packing Washers	<i>Rubber</i>
Packing Nut	<i>Brass or brass, plated</i>
Handle	<i>Metal or metal, plated</i>
Handle Screw	<i>Steel, plated</i>
Compression Sleeve	<i>Brass</i>
Compression Nut	<i>Brass or brass, plated</i>
Loose Key	<i>Zinc die cast</i>
Lock Shield	<i>Brass, plated</i>
Loose Key Stem	<i>Brass or brass, plated</i>

Part Listing:

- R1BX C 3/8" nom sweat x 3/8" OD compression, chrome
- R09X C 1/2" nom sweat x 1/4" OD compression, chrome
- R09X R 1/2" nom sweat x 1/4" OD compression, rough brass
- R19X C 1/2" nom sweat x 3/8" OD compression, chrome
- R19X C1 1/2" nom sweat x 3/8" OD compression, chrome, window tray
- R19X CD 1/2" nom sweat x 3/8" OD compression, chrome, carded
- R19X R 1/2" nom sweat x 3/8" OD compression, rough brass
- R19X R1 1/2" nom sweat x 3/8" OD compression, rough brass, window tray

This specification and all information contained herein is the confidential and exclusive property of BrassCraft Manufacturing Company and shall not be disclosed to others without the written consent of BrassCraft. This specification must be returned to BrassCraft if requested.

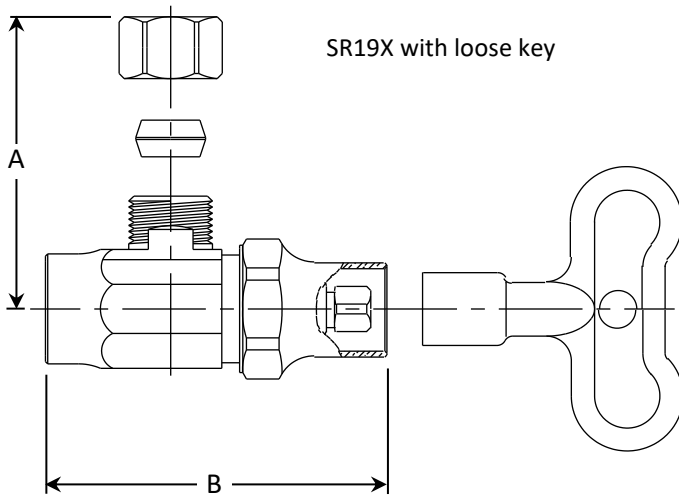
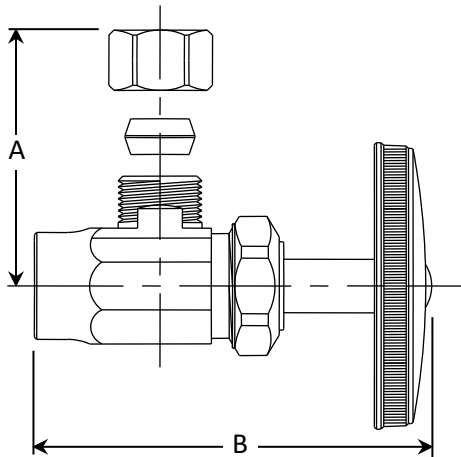


R1B/09/19/39X Multi-Turn Angle Stop – Sweat x Compression

Part Listing (Con't):

- R39X C 1/2" nom sweat x 1/2" OD compression, chrome
- SR19X C 1/2" nom sweat x 3/8" OD compression, loose key, chrome

PART DIMENSIONS (Inches)		
Model	DIM. A	DIM. B
R1BX	1.02	2.56
R09X	1.02	2.50
R19X	1.02	2.50
R39X	1.15	2.50
SR19X	1.02	2.29



Listings & Certifications:

- IAPMO listed to ASME A112.18.1 / CSA B125.1 (includes NSF/ANSI372 & NSF61)

NSF/ANSI/
CAN61:Q≤0.5



This specification and all information contained herein is the confidential and exclusive property of BrassCraft Manufacturing Company and shall not be disclosed to others without the written consent of BrassCraft. This specification must be returned to BrassCraft if requested.

BrassCraft®