

For Residential and Commercial Applications

Job Name		Engineer / Architect	
Job Location		Wholesaler	
Submittal Date		Contractor	

OCR11/OCR14/OCR34X Multi-Turn Straight Stop – Compression x Compression

Use: For use in potable water distribution systems in accessible locations only. Not intended for recirculation systems/continuous use of temperatures above 115° F. For those applications, use our KT™ series ball stop.

Design Features:

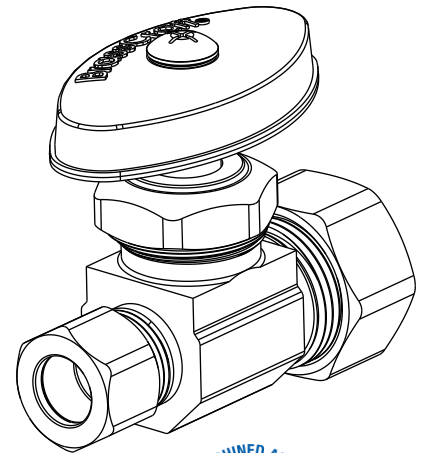
- **Machined one-piece brass body** provides strength, durability, and long-lasting performance
- **Knurled oval handle** provides a secure grip and smooth on/off operation
- **Easy-to-remove handle** with screw attachment helps protect against accidental stop operation during rough-ins
- **For use with** ASTM F876 PEX tubing, in ASTM F877 water distribution systems (parts containing PX and PXX only)



Operating Specifications:

Temperature: 40°- 160° F

Pressure: 125 PSI maximum



STOP MATERIAL SPECIFICATIONS	
Body	<i>Brass, plated</i>
Stem	<i>POM or brass, plated</i>
Bib & Packing Washer	<i>Rubber</i>
Packing Nut	<i>Brass, plated</i>
Handle	<i>Die cast zinc, plated; ABS, plated; or polycarbonate</i>
Handle Screw	<i>Steel, zinc plated</i>
Compression Nut	<i>Brass, plated</i>
Compression Sleeve	<i>Brass</i>
PEX Insert*	<i>Stainless steel</i>

**Where specified*

Part Listing:

- OCR11X C 1/4" nom compression x 3/8" OD compression, chrome plated
- OCR11X C1 1/4" nom compression x 3/8" OD compression, chrome plated, window box
- OCR11X R 1/4" nom compression x 3/8" OD compression, rough brass
- OCR11ZX C 1/4" nom compression x 3/8" OD compression, brass stem, chrome plated
- OCR14X C 1/2" nom compression x 3/8" OD compression, chrome plated
- OCR14X C1 1/2" nom compression x 3/8" OD compression, chrome plated, window box
- OCR14X R 1/2" nom compression x 3/8" OD compression, rough brass
- OCR14ZX C 1/2" nom compression x 3/8" OD compression, brass stem, chrome plated

This specification and all information contained herein is the confidential and exclusive property of BrassCraft Manufacturing Company and shall not be disclosed to others without the written consent of BrassCraft. This specification must be returned to BrassCraft if requested.

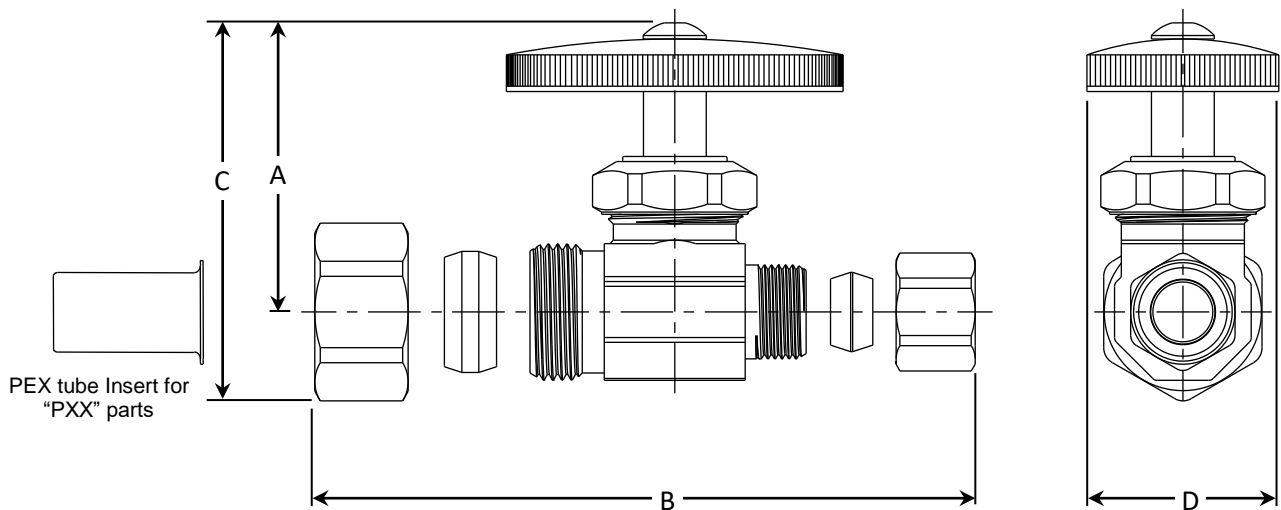
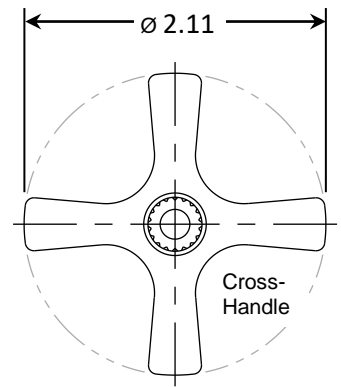
OCR11/OCR14/OCR34X

Multi-Turn Straight Stop – Compression x Compression

Part Listing (con't):

- OCR14X BZ 1/2" nom compression x 3/8" OD compression, oil rubbed bronze
- OCR14X NP 1/2" nom compression x 3/8" OD compression, polished nickel
- OCR14X NS 1/2" nom compression x 3/8" OD compression, satin nickel
- OCR14X P 1/2" nom compression x 3/8" OD compression, polished
- OCR14PXX C 1/2" nom compression w/PEX stainless steel insert x 3/8" OD compression, chrome plated
- OCR34X C 1/2" nom compression x 1/2" OD compression, chrome plated
- OCR34X C1 1/2" nom compression x 1/2" OD compression, chrome plated, window box
- XCR14X BZ1 1/2" nom compression x 3/8" OD compression, oil rubbed bronze, cross handle, window box
- XCR14X NP1 1/2" nom compression x 3/8" OD compression, polished nickel, cross handle, window box

PART DIMENSIONS (Inches)				
Model	DIM. A	DIM. B	DIM. C	DIM. D
OCR11X	1.80	2.12	2.21	1.14
OCR14X (OCR14PXX)	1.80	2.25	2.33	1.14
OCR14ZX	1.80	2.25	2.33	1.14
OCR34X	1.80	2.30	2.33	1.14
XCR14X	1.80	2.25	2.33	1.14



Listings & Certifications:

- IAPMO listed to ASME A112.18.1 / CSA B125.1 (includes NSF/ANSI 372 and NSF/ANSI/CAN 61)



This specification and all information contained herein is the confidential and exclusive property of BrassCraft Manufacturing Company and shall not be disclosed to others without the written consent of BrassCraft. This specification must be returned to BrassCraft if requested.