

**For Residential and Commercial Applications**

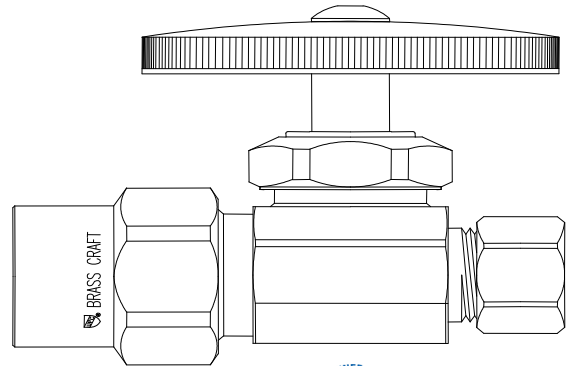
Job Name		Engineer / Architect	
Job Location		Wholesaler	
Submittal Date		Contractor	

**PR14/ PR34/ MPR14 Multi-Turn Straight Stop - CPVC x Compression**

**Use:** For use in potable water distribution systems. Not intended for recirculating water systems that produce continuous use temperatures above 115° F. For those applications, use BrassCraft KT series ball stops.

**Design Features:**

- **Machined one-piece brass body** provides strength, durability and long-lasting performance
- **Oval knurled handle** provides a secure grip and smooth on/off operation
- **Compliant Multi-Turn Stops** available for California, Vermont and Maryland “low-lead” requirements



**Operating Specifications:**

- Temperature:** 40° - 140° F  
**Pressure:** 125 psi maximum

**Standard**

MATERIAL SPECIFICATIONS	
Valve Body	C36000 brass
Stem	POM or C36000 brass*
Bib & Packing Washers	Nitrile or EPDM rubber
Packing Nut	C36000 brass
Handle	Lexan
Handle Screw	Zinc-plated steel
CPVC Insert	CPVC 23447-B
CPVC Washer	EPDM rubber
Compression Sleeve	C36000 brass
CPVC & Compr. Nut	C36000 brass

**Compliant**

MATERIAL SPECIFICATIONS	
Valve Body	Compliant brass
Stem	POM or Compliant brass*
Bib & Packing Washers	Nitrile or EPDM rubber
Packing Nut	Compliant brass
Handle	Lexan
Handle Screw	Zinc-plated steel
CPVC Insert	CPVC 23447-B
CPVC Washer	EPDM rubber
Compression Sleeve	C36000 brass
CPVC & Compr. Nut	C36000 brass

\*Where Specified

**Standard Part Listing:**

- PR14 C 1/2" Nom. CPVC x 3/8" OD Compression, chrome plated
- PR14 C1 1/2" Nom. CPVC x 3/8" OD Compression, chrome plated, window tray
- PR14 C3T 1/2" Nom. CPVC x 3/8" OD Compression, chrome plated, plain tray, sleeve of 3
- PR14 R 1/2" Nom. CPVC x 3/8" OD Compression, rough brass
- PR14Z C 1/2" Nom. CPVC x 3/8" OD Compression, brass stem, chrome plated
- PR14 BZ 1/2" Nom. CPVC x 3/8" OD Compression, oil rubbed bronze

*This specification and all information contained herein is the confidential and exclusive property of BrassCraft Manufacturing, and shall not be disclosed to others without the written consent of BrassCraft. This specification must be returned to BrassCraft if requested.*



# PR14/ PR34/ MPR14 Multi-Turn Straight Stop - CPVC x Compression

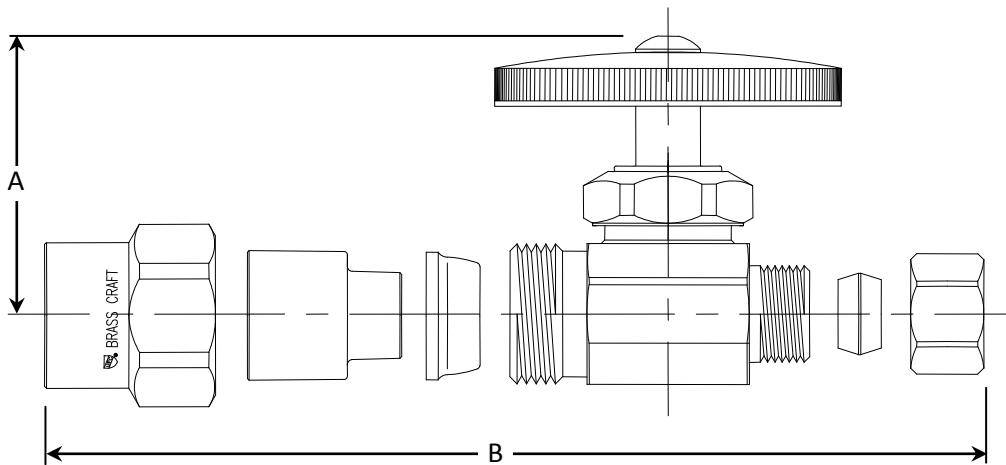
## Standard Part Listing (con't):

- PR14 NS      1/2" Nom. CPVC x 3/8" OD Compression, satin nickel
- PR34 C      1/2" Nom. CPVC x 1/2" OD Compression, chrome plated
- PR34 R      1/2" Nom. CPVC x 1/2" OD Compression, rough brass
- MPR14 C     1/2" Nom. CPVC x 3/8" OD Compression, metal handle, chrome plated

## Compliant Part Listing:

- PR14X C     1/2" Nom. CPVC x 3/8" OD Compression, chrome plated
- PR14X C1    1/2" Nom. CPVC x 3/8" OD Compression, chrome plated, window tray

<b>PART DIMENSIONS (Inches)</b>		
<b>Model</b>	<b>DIM. A</b>	<b>DIM. B</b>
PR14	1.77	2.60
PR14Z	1.77	2.60
PR34	1.77	2.67
MPR14	1.77	2.60



## Listings & Certifications:

- IAPMO listed to ASME A112.18.1-05 / CSA B125.1-05 (File # 0645)
- CSA listed to ASME A112.18.1-05 / CSA B125.1-05 (File # 204593)
- Compliant product CSA approved to California Health & Safety Code 116875, Vermont Bill S.152 and Maryland House Bill 372 (Project # 2174785)



*This specification and all information contained herein is the confidential and exclusive property of BrassCraft Manufacturing, and shall not be disclosed to others without the written consent of BrassCraft. This specification must be returned to BrassCraft if requested.*

**BrassCraft**<sup>®</sup>