

For Residential and Commercial Applications

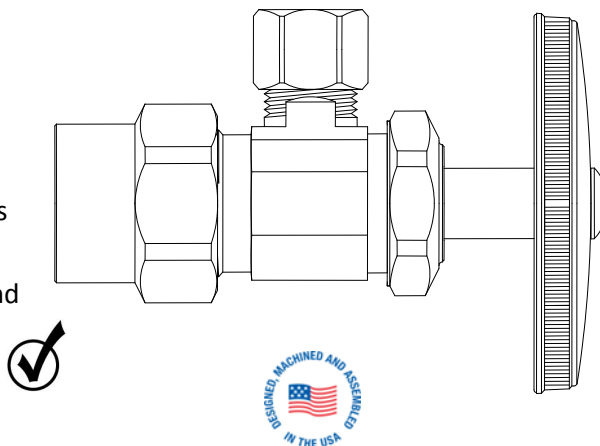
Job Name		Engineer / Architect	
Job Location		Wholesaler	
Submittal Date		Contractor	

PR1901LR Multi-Turn Dual Outlet Stop - CPVC Inlet

Use: For use in potable water distribution systems. Not intended for recirculating water systems that produce continuous use temperatures above 115° F. For those applications, use BrassCraft KT series ball stops

Design Features:

- **Machined one-piece brass body** provides strength, durability and long-lasting performance
- **Knurled oval handle** provides a secure grip and smooth on/off operation
- **Easy-to-remove handle** with screw attachment protects accidental stop operation during rough-ins
- **Compliant Dual-Outlet Stops** available for California and Vermont “low-lead” requirements.



Operating Specifications:

Temperature: 40° - 140° F
Pressure: 125 psi maximum

Standard

MATERIAL SPECIFICATIONS	
Valve Body	C36000 brass
Stem	C36000 brass
Bib & Packing Washers	Nitrile or EPDM rubber
Packing Nut	C36000 brass
Handle	Plated metal, chrome plated ABS or Lexan
Handle Screw	Zinc-plated steel
CPVC Insert	CPVC 23447-B
CPVC Washer	EPDM rubber
CPVC Nut	C36000 brass
Compression Sleeve	C36000 brass
Compression Nut	C36000 brass

Compliant

MATERIAL SPECIFICATIONS	
Valve Body	Compliant brass
Stem	Compliant brass
Bib & Packing Washers	Nitrile or EPDM rubber
Packing Nut	Compliant brass
Handle	Plated metal, chrome plated ABS or Lexan
Handle Screw	Zinc-plated steel
CPVC Insert	CPVC 23447-B
CPVC Washer	EPDM rubber
CPVC Nut	C36000 brass
Compression Sleeve	C36000 brass
Compression Nut	C36000 brass

Standard Part Listing:

- PR1901LR R1 1/2" Nom. CPVC x 3/8" OD Compression x 3/8" OD Compression, rough brass, window tray

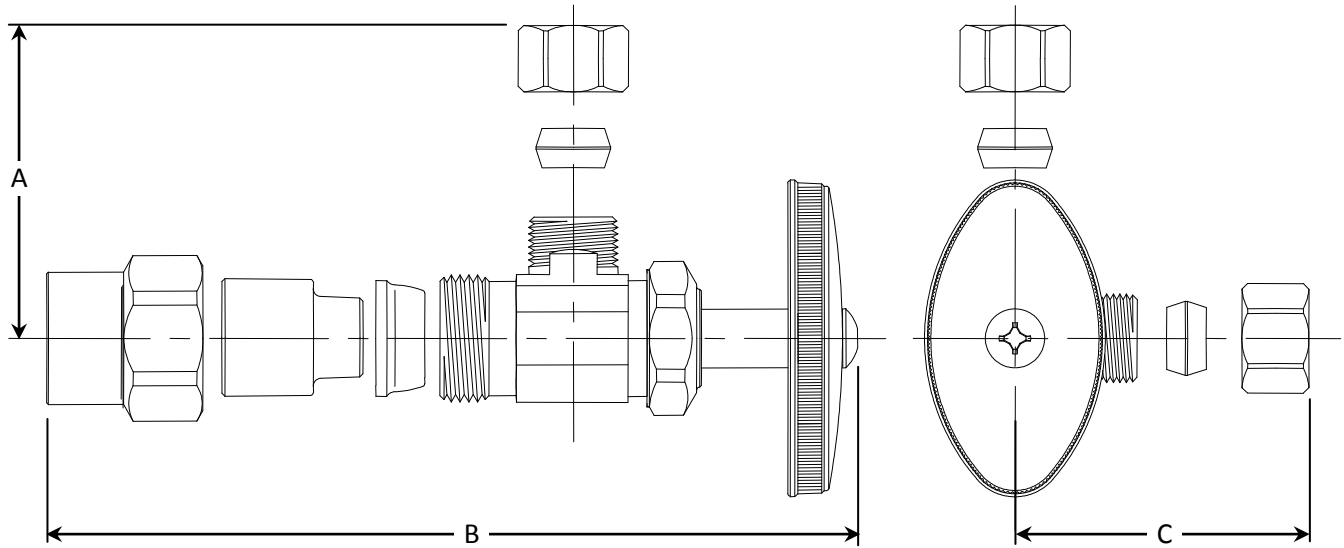
Compliant Part Listing:

- PR1901LRX R1 1/2" Nom. CPVC x 3/8" OD Compression x 3/8" OD Compression, rough brass, window tray

This specification and all information contained herein is the confidential and exclusive property of BrassCraft Manufacturing, and shall not be disclosed to others without the written consent of BrassCraft. This specification must be returned to BrassCraft if requested.



PR1901LR Multi-Turn Dual Outlet Stop - CPVC Inlet



PART DIMENSIONS (Inches)			
Model	DIM. A	DIM. B	DIM. C
PR1901LR	1.06	3.17	1.06

Listings & Certifications:

- IAPMO listed to ASME A112.18.1-05 / CSA B125.1-05 (File # 0645)
- CSA listed to ASME A112.18.1-05 / CSA B125.1-05 (File # 204593)
- Compliant product CSA approved to California Health & Safety Code 116875 and Vermont Bill S.152 (Project # 2174785)



This specification and all information contained herein is the confidential and exclusive property of BrassCraft Manufacturing, and shall not be disclosed to others without the written consent of BrassCraft. This specification must be returned to BrassCraft if requested.

BrassCraft®