

For Residential and Commercial Applications

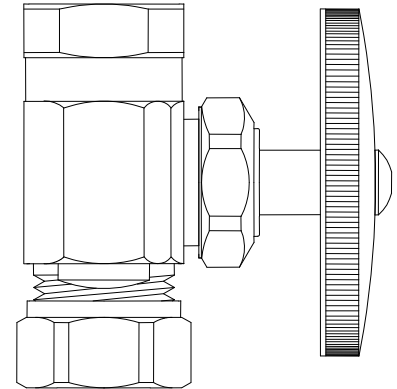
Job Name		Engineer / Architect	
Job Location		Wholesaler	
Submittal Date		Contractor	

03305 Multi-Turn Straight Stop - Female Iron Pipe x Slip-Joint

Use: For use in potable water distribution systems. Not intended for recirculating water systems that produce continuous use temperatures above 115° F. For those applications, use BrassCraft KT series ball stops

Design Features:

- **Machined one-piece brass body** provides strength, durability and long-lasting performance
- **Oval knurled handle** provides a secure grip and smooth on/off operation
- **100% leak tested**
- **Compliant Multi-turn Stops** available for California and Vermont “low-lead” requirements



Operating Specifications:

Temperature: 40°- 140° F

Pressure: 125 psi maximum



Standard

MATERIAL SPECIFICATIONS	
Valve Body	C36000 brass
Stem	POM
Bib & Packing Washers	Nitrile or EPDM rubber
Packing Nut	C36000 brass
Handle	ABS, chrome plated
Handle Screw	Zinc-plated Steel
Slip-Joint Washer	NBR rubber
Slip-Joint Nut	C36000 brass
Friction Rings	C27200 brass

Compliant

MATERIAL SPECIFICATIONS	
Valve Body	Compliant brass
Stem	POM
Bib & Packing Washers	Nitrile or EPDM rubber
Packing Nut	C36000 brass
Handle	Zinc die cast
Handle Screw	Zinc-plated Steel
Slip-Joint Washer	NBR rubber
Slip-Joint Nut	C36000 brass
Friction Rings	C27200 brass

Standard Part Listing:

- O3305 C 1/2" F.I.P. x 7/16" & 1/2" Slip-Joint, chrome plated
- O3305 C1 1/2" F.I.P. x 7/16" & 1/2" Slip-Joint, chrome plated, window tray
- O3305 R 1/2" F.I.P. x 7/16" & 1/2" Slip-Joint, rough brass
- O3305 R1 1/2" F.I.P. x 7/16" & 1/2" Slip-Joint, rough brass, window tray

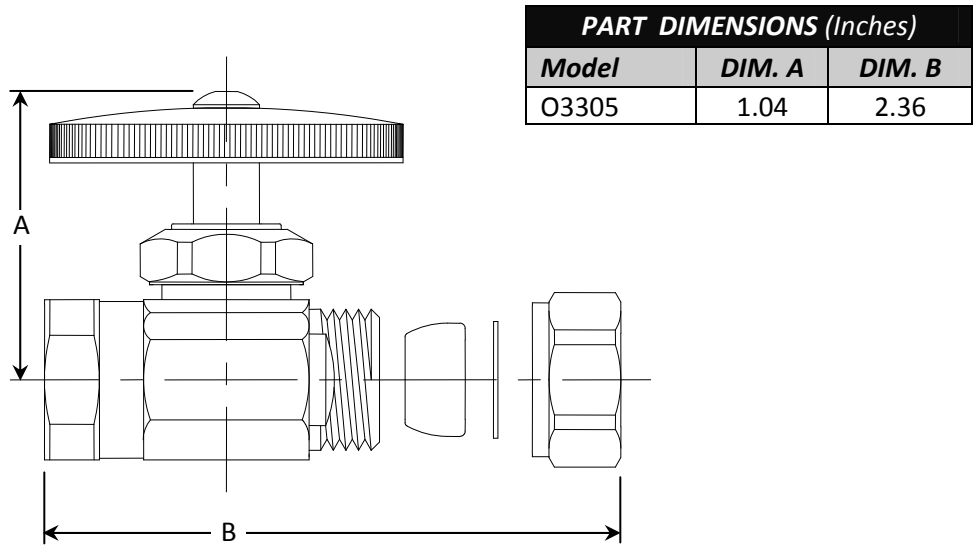
Compliant Part Listing:

- O3305X C 1/2" F.I.P. x 7/16" & 1/2" Slip-Joint, chrome plated
- O3305X CD 1/2" F.I.P. x 7/16" & 1/2" Slip-Joint, chrome plated, carded
- O3305X C1 1/2" F.I.P. x 7/16" & 1/2" Slip-Joint, chrome plated, window tray

This specification and all information contained herein is the confidential and exclusive property of BrassCraft Manufacturing, and shall not be disclosed to others without the written consent of BrassCraft. This specification must be returned to BrassCraft if requested.



O3305 Multi-Turn Straight Stop - Female Iron Pipe x Slip-Joint



Listings & Certifications:

- IAPMO listed to ASME A112.18.1-05 / CSA B125.1-05 (File # 0645)
- CSA listed to ASME A112.18.1-05 / CSA B125.1-05 (File # 204593)
- Compliant product CSA approved to California Health & Safety Code 116875 and Vermont Bill S.152 (Project # 2174785)



This specification and all information contained herein is the confidential and exclusive property of BrassCraft Manufacturing, and shall not be disclosed to others without the written consent of BrassCraft. This specification must be returned to BrassCraft if requested.

BrassCraft®