

For Residential and Commercial Applications

Job Name		Engineer / Architect	
Job Location		Wholesaler	
Submittal Date		Contractor	

PNEV-NCV Self Piercing Needle Valve Kit

Use: For use with automotive & industrial applications for instrumentation, hydraulic and pneumatic systems. Not intended for use with natural gas, LPG (liquefied petroleum gas or propane), nuclear or avionic (aircraft) applications

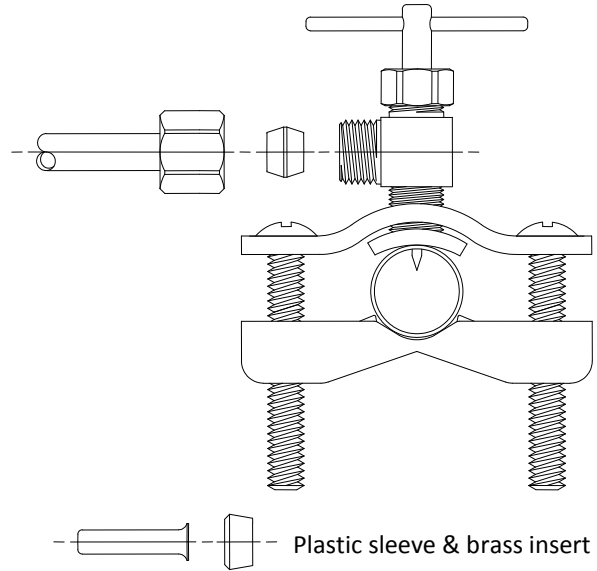
Operating Specifications:

Temperature: -65° to 250° F
Water Applications 40° to 140° F
 115° F maximum continuous use temperature

Working Pressure: Up to 150 PSI
Tubing Diameter: Use with 3/8" to 1" OD tubing

Design Features:

- **Positive sealing & flow adjustment** up to the capacity of the valve
- **Metal-to-metal seats** with a fine thread engagement
- **Compliant needle valve options** available for California and Vermont "low-lead" requirements



Standard

MATERIAL SPECIFICATIONS	
Valve Body	C36000 brass
Saddle Clamp	Zinc die coated steel
Piercing Needle	Steel
Screws	Zinc die coated steel
Compression Nut	C36000 brass
Compression Sleeve	C36000 brass
Plastic Sleeve	Acetal
Insert	Compliant brass

Compliant

MATERIAL SPECIFICATIONS	
Valve Body	Compliant brass
Saddle Clamp	Zinc die coated steel
Piercing Needle	Steel
Screws	Zinc die coated steel
Compression Nut	C36000 brass
Compression Sleeve	C36000 brass
Plastic Sleeve	Acetal
Insert	Compliant brass

Standard Part Listing:

- PNEV-NCV 1/4" OD Compression outlet. Kit contains: needle valve, saddle clamp, (2) nuts, (2) bolts, washers, brass compression sleeve for copper installations & plastic sleeve/brass insert for plastic tube installations

Compliant Part Listing:

- PNEV-NCVX (see above)

Listings & Certifications:

- Compliant product CSA approved to California Health & Safety Code and Vermont Bill S.152 (Project # 2174785)



This specification and all information contained herein is the confidential and exclusive property of BrassCraft Manufacturing, and shall not be disclosed to others without the written consent of BrassCraft. This specification must be returned to BrassCraft if requested.

