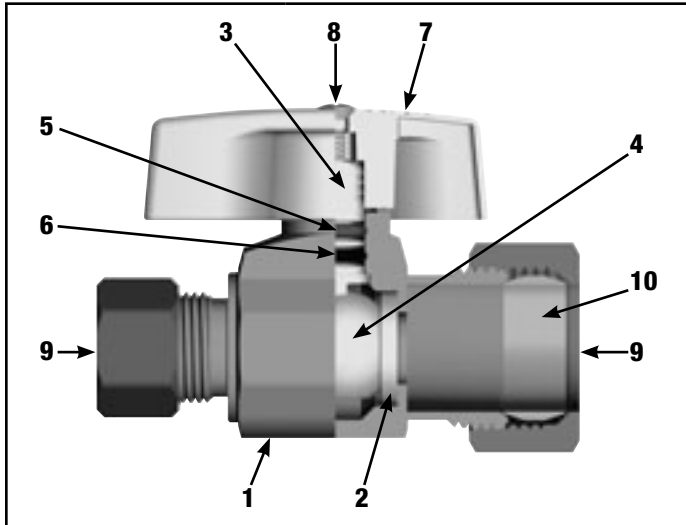


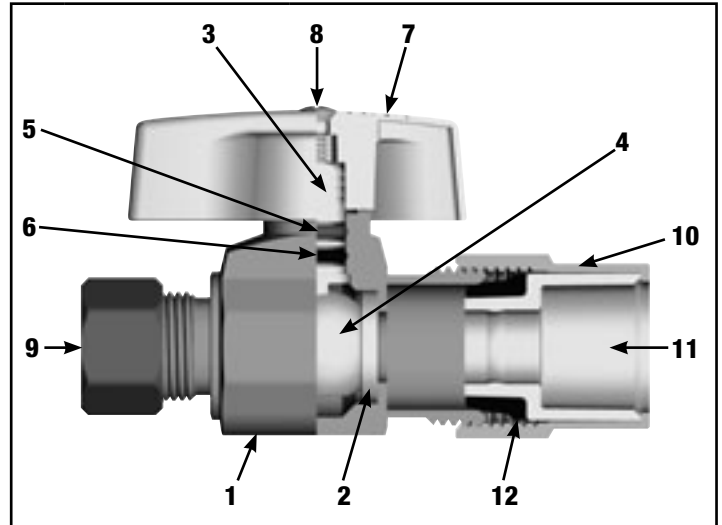
## Anatomy of a 1/4 TURN Water Ball Stop



### Material Specifications

No.	Part	Materials
1	Body	Chrome Plated Brass
2	Seats	PTFE
3	Stem	Plated Brass
4	Ball	Chrome Plated Brass
5	O-Ring	EPDM
6	O-Ring	Nitrile
7	Handle	Chrome Plated Zinc Die Cast
8	Handle Screw	Zinc Plated Steel
9	Compression Nut	Chrome Plated Brass
10	Compression Sleeve	Brass

## Anatomy of a CPVC 1/4 TURN Water Ball Stop



### Material Specifications

No.	Part	Materials
1	Body	Chrome Plated Brass
2	Seats	PTFE
3	Stem	Plated Brass
4	Ball	Chrome Plated Brass
5	O-Ring	EPDM
6	O-Ring	Nitrile
7	Handle	Chrome Plated Zinc Die Cast
8	Handle Screw	Zinc Plated Steel
9	Compression Nut	Chrome Plated Brass
10	CPVC Nut	Chrome Plated Brass
11	Insert	CPVC 23447-B
12	Seal	EPDM

