

For Residential and Commercial Applications

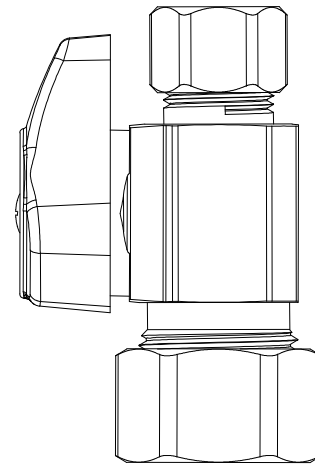
Job Name		Engineer / Architect	
Job Location		Wholesaler	
Submittal Date		Contractor	

G2CR11/ G2CR14/ G2CR34 1/4 Turn Straight Stop – Compression x Compression

Use: For use in potable water distribution systems. Not intended for recirculating systems that produce continuous use temperatures above 115° F. For those applications, use BrassCraft’s KT series ball stop.

Design Features:

- **One-Piece shut-off mechanism** provides smooth on-off operation without freeze ups even after long periods of non-use
- **Positive 1/4 turn shut-off**
- **Full-flow operation** with no waterway obstructions
- **Corrosion-resistant handle** is plated in an attractive chrome finish
- **Machined one-piece brass body** provides strength, durability and long-lasting performance
- **Easy-to-remove handle** with screw attachment protects accidental operation during rough-ins
- **100% leak tested**
- **Compliant G2 Stops** available for California and Vermont “no-lead” requirements



Patents 7,178,786
7,036,793 &
Design Patent 462,111



Operating Specifications:

Temperature: 40°- 140° F
Pressure: 125 psi maximum

Standard

MATERIAL SPECIFICATIONS	
Valve Body	C36000 brass
Stem Barrel	Santoprene
Stem Shaft	Glass-filled polypropylene
Stem O-ring	EPDM
Handle	Chrome-plated zinc die cast
Screw	Zinc-plated steel
Compression Sleeve	C36000 brass
Compression Nut	Chrome-plated C36000 brass
Insert*	Stainless steel

*Where specified

Compliant

MATERIAL SPECIFICATIONS	
Valve Body	Compliant brass
Stem Barrel	Santoprene
Stem Shaft	Glass-filled polypropylene
O-ring	EPDM
Handle	Chrome-plated zinc die cast
Screw	Zinc-plated steel
Compression Sleeve	C36000 brass
Compression Nut	Chrome-plated C36000 brass

Standard Part Listing:

G2CR11 C 1/4" Nom. Compression x 3/8" OD Compression, chrome plated

This specification and all information contained herein is the confidential and exclusive property of BrassCraft Manufacturing, and shall not be disclosed to others without the written consent of BrassCraft. This specification must be returned to BrassCraft if requested.



G2CR11/ G2CR14/ G2CR34 1/4 Turn Straight Stop – Compression x Compression

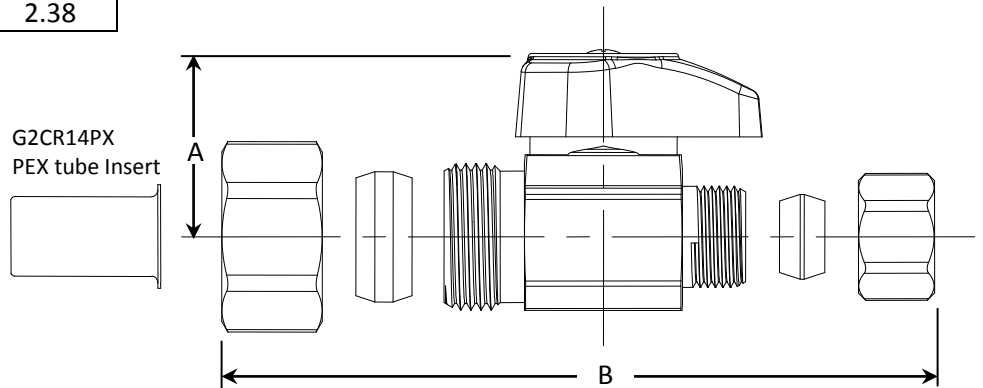
Standard Part Listing (con't):

- G2CR11 CD 1/4" Nom. Compression x 3/8" OD Compression, chrome plated, carded
- G2CR11 C1 1/4" Nom. Compression x 3/8" OD Compression, chrome plated, window box
- G2CR14 C 1/2" Nom. Compression x 3/8" OD Compression, chrome plated
- G2CR14 CD 1/2" Nom. Compression x 3/8" OD Compression, chrome plated, carded
- G2CR14 C1 1/2" Nom. Compression x 3/8" OD Compression, chrome plated, window box
- G2CR14 R 1/2" Nom. Compression x 3/8" OD Compression, rough brass
- G2CR14PX C 1/2" Nom. Compression w/ PEX insert x 3/8" OD Compression, chrome plated
- G2CR34 C 1/2" Nom. Compression x 1/2" OD Compression, chrome plated
- G2CR34 CD 1/2" Nom. Compression x 1/2" OD Compression, chrome plated, carded
- G2CR34 C1 1/2" Nom. Compression x 1/2" OD Compression, chrome plated, window box
- G2CR34 R 1/2" Nom. Compression x 1/2" OD Compression, rough brass

Compliant Part Listing:

- G2CR11X CD 1/4" Nom. Compression x 3/8" OD Compression, chrome plated, carded
- G2CR14X C 1/2" Nom. Compression x 3/8" OD Compression, chrome plated
- G2CR14X CD 1/2" Nom. Compression x 3/8" OD Compression, chrome plated, carded
- G2CR14X C1 1/2" Nom. Compression x 3/8" OD Compression, chrome plated, window box
- G2CR14X R 1/2" Nom. Compression x 3/8" OD Compression, chrome plated, rough brass
- G2CR14PXX C 1/2" Nom. Compression w/ PEX insert x 3/8" OD Compression, chrome plated
- G2CR34X CD 1/2" Nom. Compression x 1/2" OD Compression, chrome plated, carded

PART DIMENSIONS (Inches)		
Model	DIM. A	DIM. B
G2CR11	1.03	2.06
G2CR14	1.03	2.28
G2CR14PX	1.03	2.28
G2CR34	1.03	2.38



Listings & Certifications:

- IAPMO listed to ASME A112.18.1-05 / CSA B125.1-05 (File # 0645)
- CSA listed to ASME A112.18.1-05 / CSA B125.1-05 (File # 204593)
- CSA approved to AB1953 (Project # 2174785)



This specification and all information contained herein is the confidential and exclusive property of BrassCraft Manufacturing, and shall not be disclosed to others without the written consent of BrassCraft. This specification must be returned to BrassCraft if requested.

BrassCraft®