

For Residential and Commercial Applications

Job Name		Engineer / Architect	
Job Location		Wholesaler	
Submittal Date		Contractor	

OCR11/OCR14/OCR34X Multi-Turn Straight Stop – Compression x Compression

Use: For use in potable water distribution systems in accessible locations only. Not intended for recirculation systems/continuous use of temperatures above 115°F. For those applications, use our KT™ series ball stop.

Design Features:

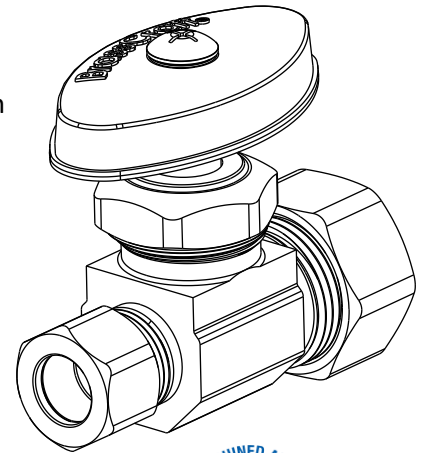
- **Machined one-piece brass body** provides strength, durability, and long-lasting performance
- **Knurled oval handle** provides a secure grip and smooth on/off operation
- **Easy-to-remove handle** with screw attachment helps protect against accidental stop operation during rough-ins
- **For use with** ASTM F876 PEX tubing, in ASTM F877 water distribution systems (parts containing PX and PXX only)



Operating Specifications:

Temperature: 40° - 140° F

Pressure: 125 PSI maximum



STOP MATERIAL SPECIFICATIONS	
Body	Brass, plated
Stem	POM or brass, plated
Bib & Packing Washer	Rubber
Packing Nut	Brass, plated
Handle	Die cast zinc, plated; ABS, plated; or polycarbonate
Handle Screw	Steel, zinc plated
Compression Nut	Brass, plated
Compression Sleeve	Brass
PEX Insert*	Stainless steel

*Where specified

Part Listing:

- OCR11X C 1/4" nom compression x 3/8" OD compression, chrome plated
- OCR11X CBT 1/4" nom compression x 3/8" OD compression, chrome plated, bulk, plain tray
- OCR11X C1 1/4" nom compression x 3/8" OD compression, chrome plated, window box
- OCR11X R 1/4" nom compression x 3/8" OD compression, rough brass
- OCR11X R 1/4" nom compression x 3/8" OD compression, rough brass
- OCR11ZX C 1/4" nom compression x 3/8" OD compression, brass stem, chrome plated
- OCR14X C 1/2" nom compression x 3/8" OD compression, chrome plated
- OCR14X CBT 1/2" nom compression x 3/8" OD compression, chrome plated, bulk, plain tray
- OCR14X C1 1/2" nom compression x 3/8" OD compression, chrome plated, window box
- OCR14X CM 1/2" nom compression x 3/8" OD compression, chrome plated, contractor 5 pack

This specification and all information contained herein is the confidential and exclusive property of Brasscraft Manufacturing Company and shall not be disclosed to others without the written consent of Brasscraft Mfg. Co. This specification must be returned to Brasscraft Mfg. Co. if requested.

OCR11/OCR14/OCR34X Multi-Turn Straight Stop – Compression x Compression

Part Listing (con't):

<input type="checkbox"/>	OCR14X R	1/2" nom compression x 3/8" OD compression, rough brass
<input type="checkbox"/>	OCR14X RBT	1/2" nom compression x 3/8" OD compression, rough brass, bulk, plain tray
<input type="checkbox"/>	OCR14X R1	1/2" nom compression x 3/8" OD compression, rough brass, window box
<input type="checkbox"/>	OCR14X RM	1/2" nom compression x 3/8" OD compression, rough brass, contractor 5 pack
<input type="checkbox"/>	OCR14ZX C	1/2" nom compression x 3/8" OD compression, brass stem, chrome plated
<input type="checkbox"/>	OCR14X BZ	1/2" nom compression x 3/8" OD compression, oil rubbed bronze
<input type="checkbox"/>	OCR14X NP	1/2" nom compression x 3/8" OD compression, polished nickel
<input type="checkbox"/>	OCR14X NS	1/2" nom compression x 3/8" OD compression, satin nickel
<input type="checkbox"/>	OCR14X P	1/2" nom compression x 3/8" OD compression, polished
<input type="checkbox"/>	OCR14L1X CB	1/2" nom compression x 3/8" OD compression, less nut and sleeve, chrome plated, bulk
<input type="checkbox"/>	OCR14PXX C	1/2" nom compression w/PEX stainless steel insert x 3/8" OD compression, chrome plated
<input type="checkbox"/>	OCR14PXX CM	1/2" nom compression w/PEX stainless steel insert x 3/8" OD compression, chrome plated, contractor 5 pack
<input type="checkbox"/>	OCR14TX CB	1/2" nom compression x 3/8" OD compression, chrome plated, plain handle, bulk
<input type="checkbox"/>	OCR14TX CBT	1/2" nom compression x 3/8" OD compression, chrome plated, plain handle, bulk, plain tray
<input type="checkbox"/>	OCR34X C	1/2" nom compression x 1/2" OD compression, chrome plated
<input type="checkbox"/>	OCR34X CBT	1/2" nom compression x 1/2" OD compression, chrome plated, bulk, plain tray
<input type="checkbox"/>	OCR34X C1	1/2" nom compression x 1/2" OD compression, chrome plated, window box
<input type="checkbox"/>	OCR34X R	1/2" nom compression x 1/2" OD compression, rough brass
<input type="checkbox"/>	OCR34X CM	1/2" nom compression x 1/2" OD compression, chrome plated, contractor 5 pack
<input type="checkbox"/>	OCR34X RM	1/2" nom compression x 1/2" OD compression, rough brass, contractor 5 pack
<input type="checkbox"/>	OCR3AX C	3/8" nom compression x 1/2" OD compression, chrome plated
<input type="checkbox"/>	OCR3AX CM	3/8" nom compression x 1/2" OD compression, chrome plated, contractor 5 pack
<input type="checkbox"/>	XCR14X C	1/2" nom compression x 3/8" OD compression, chrome plated, cross handle
<input type="checkbox"/>	XCR14X BZ1	1/2" nom compression x 3/8" OD compression, oil rubbed bronze, cross handle, window box
<input type="checkbox"/>	XCR14X NP1	1/2" nom compression x 3/8" OD compression, polished nickel, cross handle, window box
<input type="checkbox"/>	XCR14X NS1	1/2" nom compression x 3/8" OD compression, satin nickel, cross handle, window box
<input type="checkbox"/>	XCR14X P1	1/2" nom compression x 3/8" OD compression, polished, cross handle, window box

This specification and all information contained herein is the confidential and exclusive property of Brasscraft Manufacturing Company and shall not be disclosed to others without the written consent of Brasscraft Mfg. Co. This specification must be returned to Brasscraft Mfg. Co. if requested.

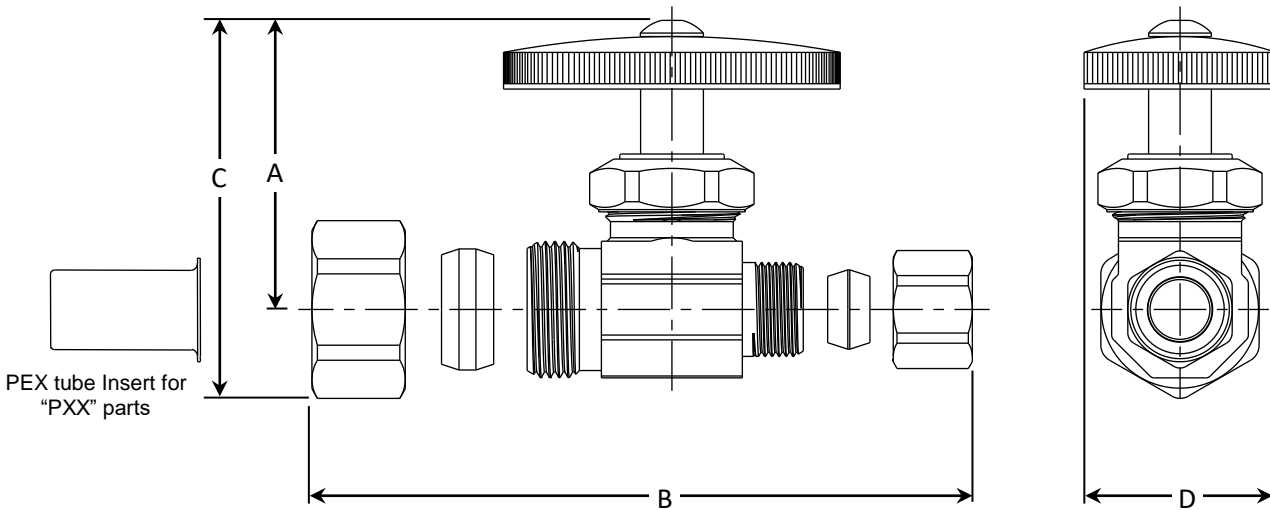
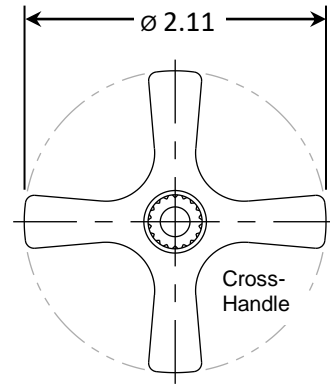
400.27 OCR11/14/34X Multi-Turn Straight Stop - Comp x Comp REV 9.19

BrassCraft®

©2019 Brasscraft Manufacturing Company

OCR11/OCR14/OCR34X Multi-Turn Straight Stop – Compression x Compression

PART DIMENSIONS (Inches)				
Model	DIM. A	DIM. B	DIM. C	DIM. D
OCR11X	1.80	2.12	2.21	1.14
OCR14X (OCR14PXX)	1.80	2.25	2.33	1.14
OCR14ZX	1.80	2.25	2.33	1.14
OCR34X	1.80	2.30	2.33	1.14
XCR14X	1.80	2.25	2.33	1.14



Listings & Certifications:

- IAPMO listed to ASME A112.18.1 / CSA B125.1 (includes NSF/ANSI372 & NSF61)



This specification and all information contained herein is the confidential and exclusive property of Brasscraft Manufacturing Company and shall not be disclosed to others without the written consent of Brasscraft Mfg. Co. This specification must be returned to Brasscraft Mfg. Co. if requested.