

For Residential and Commercial Applications

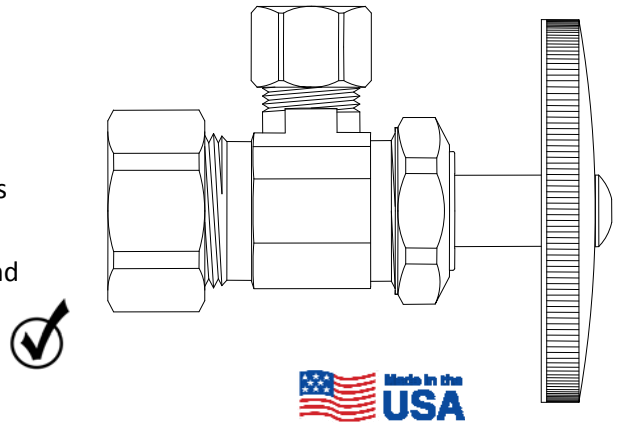
Job Name		Engineer / Architect	
Job Location		Wholesaler	
Submittal Date		Contractor	

CR1900 & CR1901 Multi-Turn Dual Outlet Stop - Compression Inlet

Use: For use in potable water distribution systems. Not intended for recirculating water systems that produce continuous use temperatures above 115° F. For those applications, use BrassCraft KT series ball stops

Design Features:

- **Machined one-piece brass body** provides strength, durability and long-lasting performance
- **Knurled oval handle** provides a secure grip and smooth on/off operation
- **Easy-to-remove handle** with screw attachment protects accidental stop operation during rough-ins
- **Compliant Dual-Outlet Stops** available for California and Vermont “low-lead” requirements.



Operating Specifications:

Temperature: 40° - 140° F
Pressure: 125 psi maximum

Standard

MATERIAL SPECIFICATIONS	
Valve Body	C36000 brass
Stem	POM or C36000 brass*
Bib & Packing Washers	Nitrile or EPDM rubber
Packing Nut	C36000 brass
Handle	Plated metal, chrome plated ABS or Lexan
Handle Screw	Zinc-plated steel
Compression Sleeve	C36000 brass
Compression Nut	C36000 brass

Compliant

MATERIAL SPECIFICATIONS	
Valve Body	Compliant brass
Stem	POM or Compliant brass*
Bib & Packing Washers	Nitrile or EPDM rubber
Packing Nut	Compliant brass
Handle	Plated metal, chrome plated ABS or Lexan
Handle Screw	Zinc-plated steel
Compression Sleeve	C36000 brass
Compression Nut	C36000 brass

*Where specified

Standard Part Listing:

- CR1900L C1 1/2" Nom. Compression x 3/8" OD Compression x 1/4" OD Compression (left side), chrome plated, window tray
- CR1900L R1 1/2" Nom. Compression x 3/8" OD Compression x 1/4" OD Compression (left side), rough brass, window tray
- CR1900LZ C1 1/2" Nom. Compression x 3/8" OD Compression x 1/4" OD Compression (left side), brass stem, chrome plated, window tray
- CR1900LZ R1 1/2" Nom. Compression x 3/8" OD Compression x 1/4" OD Compression (left side), brass stem, rough brass, window tray

This specification and all information contained herein is the confidential and exclusive property of BrassCraft Manufacturing, and shall not be disclosed to others without the written consent of BrassCraft. This specification must be returned to BrassCraft if requested.



CR1900 & CR1901 Multi-Turn Dual Outlet Stop - Compression Inlet

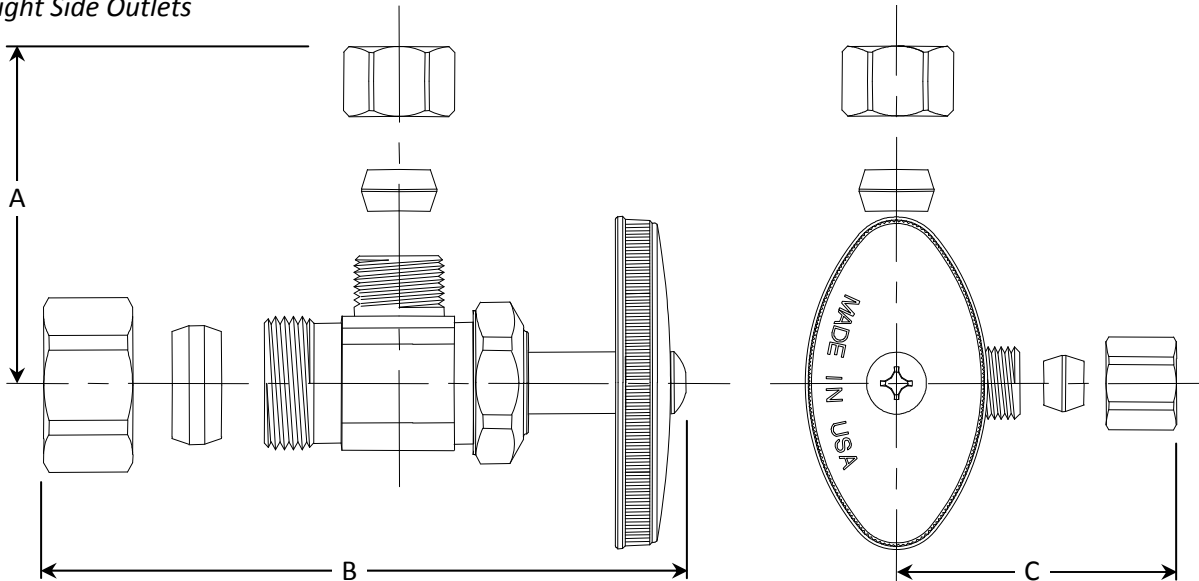
Standard Part Listing (con't):

- CR1900R C1 1/2" Nom. Compression x 3/8" OD Compression x 1/4" OD Compression (left side), chrome plated, window tray
- CR1900R R1 1/2" Nom. Compression x 3/8" OD Compression x 1/4" OD Compression (right side), rough brass, window tray
- CR1900RZ C1 1/2" Nom. Compression x 3/8" OD Compression x 1/4" OD Compression (right side), brass stem, chrome plated, window tray
- CR1901LR C1 1/2" Nom. Compression x 3/8" OD Compression x 3/8" OD Compression, chrome plated, window tray
- CR1901LR RD 1/2" Nom. Compression x 3/8" OD Compression x 3/8" OD Compression, rough brass, carded
- CR1901LR R1 1/2" Nom. Compression x 3/8" OD Compression x 3/8" OD Compression, rough brass, window tray
- CR1901LRK R1 1/2" Nom. Compression x 3/8" OD Compression x 3/8" OD Compression, plastic handle, rough brass, window tray
- CR1901LRZ C1 1/2" Nom. Compression x 3/8" OD Compression x 3/8" OD Compression, brass stem, chrome plated, window tray
- CR1901LRZ R1 1/2" Nom. Compression x 3/8" OD Compression x 3/8" OD Compression, brass stem, rough brass, window tray

Compliant Part Listing:

- CR1900LX C1 1/2" Nom. Compression x 3/8" OD Compression x 1/4" OD Compression (left side), chrome plated, window tray
- CR1900LX R1 1/2" Nom. Compression x 3/8" OD Compression x 1/4" OD Compression (left side), rough brass, window tray
- CR1900RX C1 1/2" Nom. Compression x 3/8" OD Compression x 1/4" OD Compression (right side), chrome plated, window tray
- CR1900RX R1 1/2" Nom. Compression x 3/8" OD Compression x 1/4" OD Compression (right side), rough brass, window tray
- CR1901LRX C1 1/2" Nom. Compression x 3/8" OD Compression x 3/8" OD Compression, chrome plated, window tray
- CR1901LRX RD 1/2" Nom. Compression x 3/8" OD Compression x 3/8" OD Compression, rough brass, carded
- CR1901LRX R1 1/2" Nom. Compression x 3/8" OD Compression x 3/8" OD Compression, rough brass, window tray

Right Side Outlets

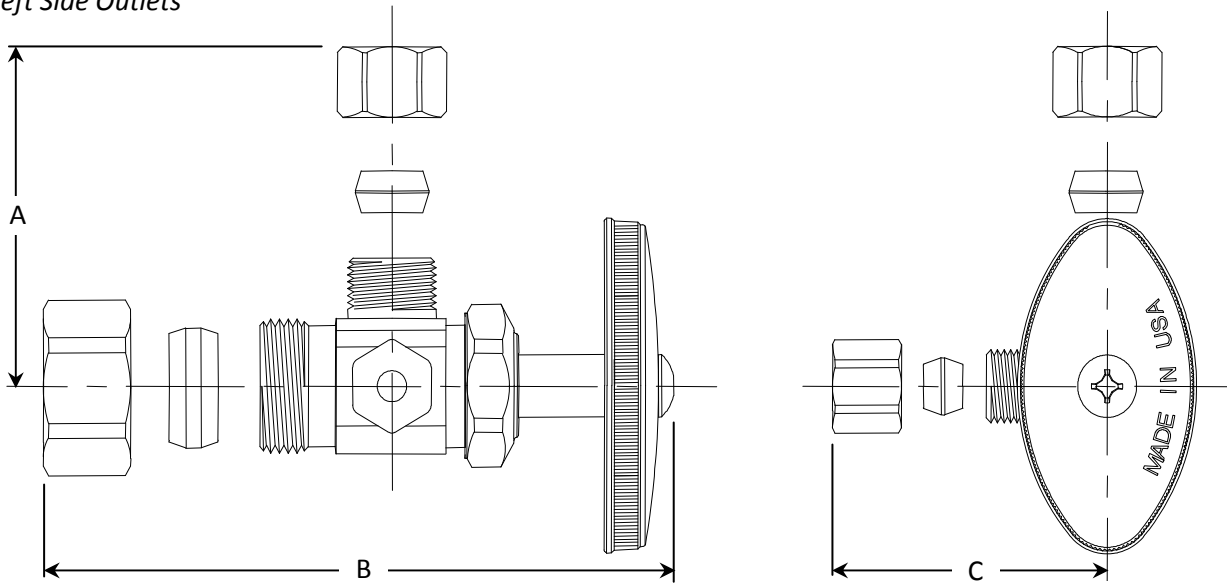


This specification and all information contained herein is the confidential and exclusive property of BrassCraft Manufacturing, and shall not be disclosed to others without the written consent of BrassCraft. This specification must be returned to BrassCraft if requested.

BrassCraft®

CR1900 & CR1901 Multi-Turn Dual Outlet Stop - Compression Inlet

Left Side Outlets



PART DIMENSIONS (Inches)			
Model	DIM. A	DIM. B	DIM. C
CR1900L	1.06	2.82	1.06
CR1900LZ	1.06	2.82	1.06
CR1900R	1.06	2.82	1.06
CR1900RZ	1.06	2.82	1.06

PART DIMENSIONS (Inches)			
Model	DIM. A	DIM. B	DIM. C
CR1901LR	1.06	2.82	1.06
CR1901LRK	1.06	2.82	1.06
CR1901LRZ	1.06	2.82	1.06

Listings & Certifications:

- IAPMO listed to ASME A112.18.1-05 / CSA B125.1-05 (File # 0645)
- CSA listed to ASME A112.18.1-05 / CSA B125.1-05 (File # 204593)
- Compliant product CSA approved to California Health & Safety Code 116875 and Vermont Bill S.152 (Project # 2174785)



This specification and all information contained herein is the confidential and exclusive property of BrassCraft Manufacturing, and shall not be disclosed to others without the written consent of BrassCraft. This specification must be returned to BrassCraft if requested.

BrassCraft®