

For Residential and Commercial Applications

Job Name		Engineer / Architect	
Job Location		Wholesaler	
Submittal Date		Contractor	

PR09/ PR19/ PR39 Multi-Turn Angle Stop – CPVC x Compression

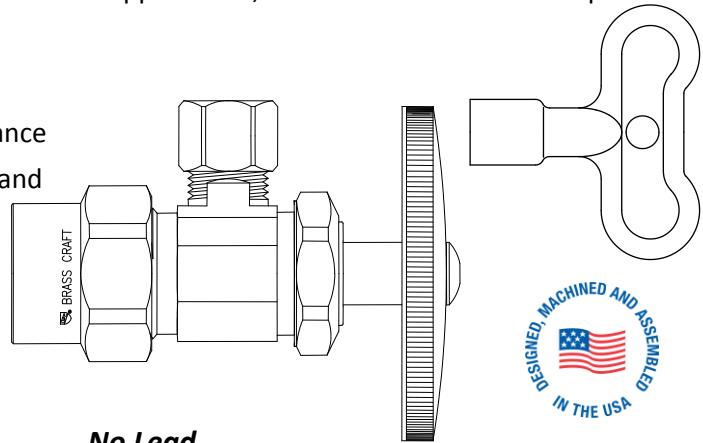
Use: For use in potable water distribution systems. Not intended for recirculating water systems that produce continuous use temperatures above 115° F. For those applications, use our KT™ series ball stops

Design Features:

- **Machined one-piece brass body** provides strength, durability, and long-lasting performance
- **Oval knurled handle** provides a secure grip and smooth on/off operation
- **No lead**

Operating Specifications:

Temperature: 40°- 140° F
Pressure: 125 PSI maximum



Standard

STOP MATERIAL SPECIFICATIONS	
Body	Brass or brass, chrome plated
Stem	POM; brass; or brass, chrome plated
Handle	ABS, chrome plated
Handle Screw	Steel, zinc plated
Bib & Packing Washer	Rubber
Packing Nut	Brass or brass, chrome plated
CPVC Insert	CPVC 23447-B
CPVC Washer	Rubber
Compression Sleeve	Brass
Compression Nut	Brass or brass, chrome plated
CPVC Nut	Brass or brass, chrome plated

Loose Key	Zinc die cast
Loose Key Stem	Brass
Lock Shield	Brass, chrome plated

No Lead

STOP MATERIAL SPECIFICATIONS	
Body	Compliant brass or Compliant brass, chrome plated
Stem	POM; brass; or brass, chrome plated
Handle	ABS, chrome plated
Handle Screw	Steel, zinc plated
Bib & Packing Washer	Rubber
Packing Nut	Brass or brass, chrome plated
CPVC Insert	CPVC 23447-B
CPVC Washer	Rubber
Compression Sleeve	Brass
Compression Nut	Brass or brass, chrome plated
CPVC Nut	Brass or brass, chrome plated

Loose Key	Zinc die cast
Loose Key Stem	Brass
Lock Shield	Brass, chrome plated

Standard Part Listing:

- PR09 R 1/2" nom CPVC x 1/4" OD compression, rough brass
- PR19 C 1/2" nom CPVC x 3/8" OD compression, chrome plated
- PR19 C1 1/2" nom CPVC x 3/8" OD compression, chrome plated, window tray
- PR19 C3T 1/2" nom CPVC x 3/8" OD compression, chrome plated, plain tray, sleeve of 3

This specification and all information contained herein is the confidential and exclusive property of BrassCraft Manufacturing, and shall not be disclosed to others without the written consent of BrassCraft Mfg. This specification must be returned to BrassCraft Mfg if requested.



PR09/ PR19/ PR39 Multi-Turn Angle Stop – CPVC x Compression

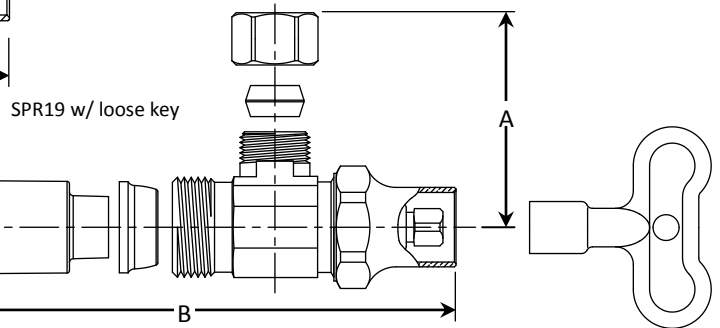
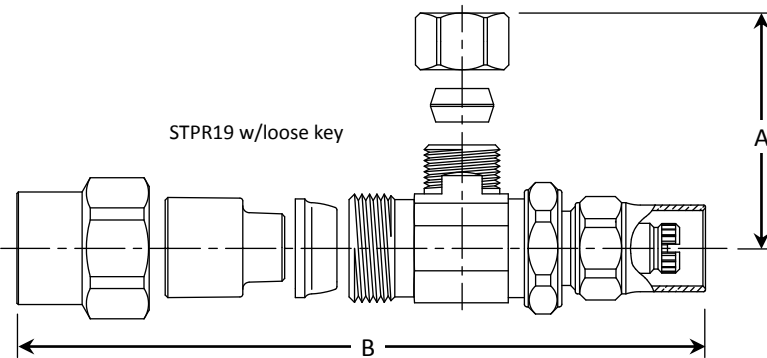
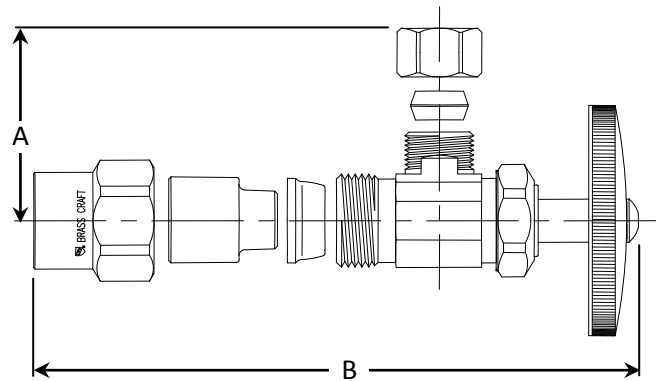
Standard Part Listing (con't):

- PR19 R 1/2" nom CPVC x 3/8" OD compression, rough brass
- PR19 BZ 1/2" nom CPVC x 3/8" OD compression, oil rubbed bronze
- PR19 NS 1/2" nom CPVC x 3/8" OD compression, satin nickel
- PR39 C 1/2" nom CPVC x 1/2" OD compression, chrome plated
- PR39 R 1/2" nom CPVC x 1/2" OD compression, rough brass
- SPR19 C 1/2" nom CPVC x 3/8" OD compression, chrome plated, loose key
- STPR19 C 1/2" nom CPVC x 3/8" OD compression, chrome plated, loose key, stuffing box

No Lead Part Listing:

- PR09X R 1/2" nom CPVC x 1/4" OD compression, rough brass
- PR19X C 1/2" nom CPVC x 3/8" OD compression, chrome plated
- PR19X C1 1/2" nom CPVC x 3/8" OD compression, chrome plated, window tray
- SPR19X C 1/2" nom CPVC x 3/8" OD compression, chrome plated, loose key
- STPR19X C 1/2" nom CPVC x 3/8" OD compression, chrome plated, loose key, stuffing box

PART DIMENSIONS (Inches)		
Model	DIM. A	DIM. B
PR09	1.01	3.09
PR19	1.02	3.09
PR39	1.15	3.09
SPR19	1.02	3.00
STPR19	1.02	3.18



Listings & Certifications:

- IAPMO listed to ASME A112.18.1 / CSA B125.1 (File # 0645)
- CSA listed to ASME A112.18.1 / CSA B125.1 (File # 204593)
- No Lead product CSA listed to Low Lead Content Certification Program – Plumbing Products Class 6853-01



This specification and all information contained herein is the confidential and exclusive property of BrassCraft Manufacturing, and shall not be disclosed to others without the written consent of BrassCraft Mfg. This specification must be returned to BrassCraft Mfg if requested.

BrassCraft®