

**For Residential and Commercial Applications**

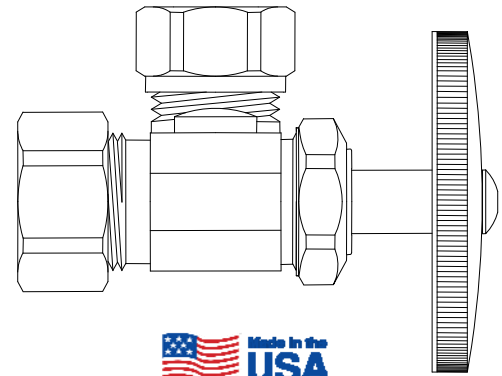
Job Name		Engineer / Architect	
Job Location		Wholesaler	
Submittal Date		Contractor	

## 03341/ S3341 Multi-Turn Angle Stop - Compression x Slip-Joint Optional Loose Key

**Use:** For use in potable water distribution systems. Not intended for recirculating water systems that produce continuous use temperatures above 115° F. For those applications, use BrassCraft KT series ball stops

**Design Features:**

- **Machined one-piece brass body** provides strength, durability and long-lasting performance
- **Oval knurled handle** provides a secure grip and smooth on/off operation
- **Compliant Multi-turn Stops** available for California and Vermont “low-lead” requirements



**Operating Specifications:**

**Temperature:** 40°- 140° F  
**Pressure:** 125 psi maximum

**Standard**

MATERIAL SPECIFICATIONS	
<b>Valve Body</b>	C36000 brass
<b>Stem</b>	POM or C36000 brass*
<b>Bib &amp; Packing Washers</b>	Nitrile or EPDM rubber
<b>Packing Nut</b>	C36000 brass
<b>Handle</b>	Plated metal, chrome-plated ABS or Lexan
<b>Handle Screw</b>	Zinc-plated Steel
<b>Slip-Joint Washer</b>	NBR rubber
<b>Slip-Joint Nut</b>	C36000 brass
<b>Friction Rings</b>	C27200 brass
<b>Compr Nut &amp; Sleeve</b>	C36000 brass
Optional Loose Key	
<b>Loose Key Stem</b>	C36000 brass
<b>Loose Key</b>	Zinc die cast

**Compliant**

MATERIAL SPECIFICATIONS	
<b>Valve Body</b>	Compliant brass
<b>Stem</b>	POM or Compliant brass*
<b>Bib &amp; Packing Washers</b>	Nitrile or EPDM rubber
<b>Packing Nut</b>	Compliant brass
<b>Handle</b>	Plated metal, chrome-plated ABS or Lexan
<b>Handle Screw</b>	Zinc-plated Steel
<b>Slip-Joint Washer</b>	NBR rubber
<b>Slip-Joint Nut</b>	C36000 brass
<b>Friction Rings</b>	C27200 brass
<b>Compr Nut &amp; Sleeve</b>	C36000 brass
Optional Loose Key	
<b>Loose Key Stem</b>	Compliant brass
<b>Loose Key</b>	Zinc die cast

\*Where specified

**Standard Part Listing:**

- O3341 C      1/2" Nom. Compression x 7/16" & 1/2" Slip-Joint, chrome plated
- O3341 C1    1/2" Nom. Compression x 7/16" & 1/2" Slip-Joint, chrome plated, window tray
- O3341 R      1/2" Nom. Compression x 7/16" & 1/2" Slip-Joint, rough brass

This specification and all information contained herein is the confidential and exclusive property of BrassCraft Manufacturing, and shall not be disclosed to others without the written consent of BrassCraft. This specification must be returned to BrassCraft if requested.



# O3341/ S3341 Multi-Turn Angle Stop - Compression x Slip-Joint Optional Loose Key

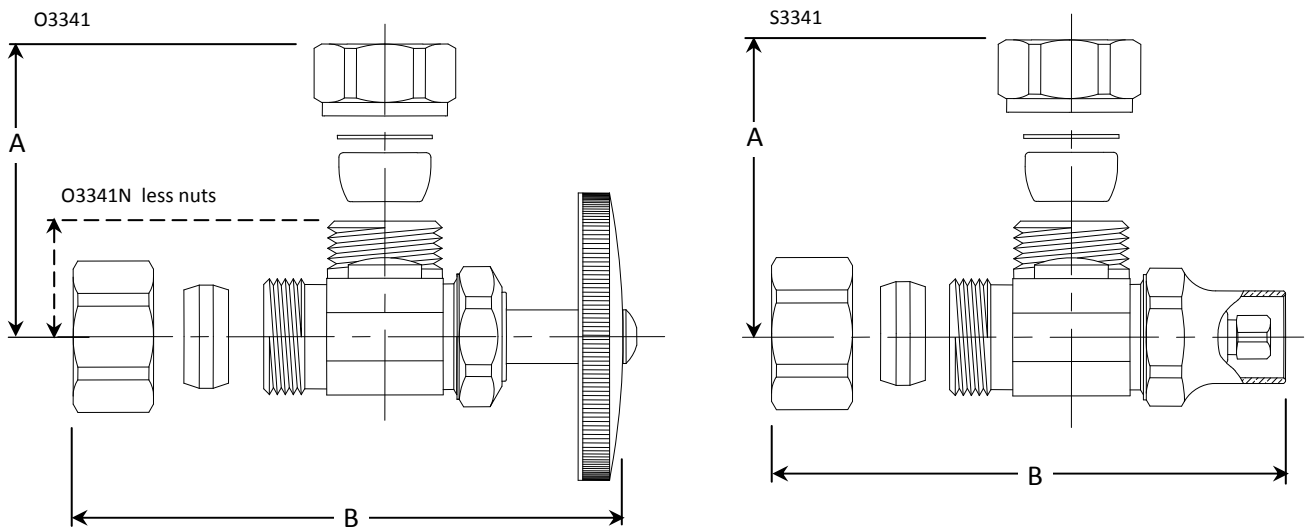
### Standard Part Listing (con't):

- O3341N C100T 1/2" Nom. Compression x 7/16" & 1/2" Slip-Joint, less outlet nut, chrome plated, bulk
- O3341Z C 1/2" Nom. Compression x 7/16" & 1/2" Slip-Joint, brass stem, chrome plated
- S3341 C 1/2" Nom. Compression x 7/16" & 1/2" Slip-Joint with loose key, chrome plated

### Compliant Part Listing:

- O3341X C 1/2" Nom. Compression x 7/16" & 1/2" Slip-Joint, chrome plated
- O3341X C1 1/2" Nom. Compression x 7/16" & 1/2" Slip-Joint, chrome plated, window tray
- O3341X R 1/2" Nom. Compression x 7/16" & 1/2" Slip-Joint, rough brass
- O3341NX C100T 1/2" Nom. Compression x 7/16" & 1/2" Slip-Joint, less outlet nut, chrome plated, bulk
- O3341ZX C 1/2" Nom. Compression x 7/16" & 1/2" Slip-Joint, brass stem, chrome plated
- S3341X C 1/2" Nom. Compression x 7/16" & 1/2" Slip-Joint with loose key, chrome plated

PART DIMENSIONS (Inches)		
Model	DIM. A	DIM. B
O3341	1.15	2.92
O3341N	.81	2.92
S3341	1.15	2.72



### Listings & Certifications:

- IAPMO listed to ASME A112.18.1-05 / CSA B125.1-05 (File # 0645)
- CSA listed to ASME A112.18.1-05 / CSA B125.1-05 (File # 204593)
- Compliant product CSA approved to California Health & Safety Code 116875 and Vermont Bill S.152 (Project # 2174785)



*This specification and all information contained herein is the confidential and exclusive property of BrassCraft Manufacturing, and shall not be disclosed to others without the written consent of BrassCraft. This specification must be returned to BrassCraft if requested.*

**BrassCraft**<sup>®</sup>