

For Residential and Commercial Applications


Job Name		Engineer / Architect	
Job Location		Wholesaler	
Submittal Date		Contractor	

69 Series Compression x Male Iron Pipe Elbows

Use: For use with potable and non-potable water, instrumentation, hydraulic, and pneumatic systems. Designed for use with aluminum, copper, and plastic tubing*. Not intended for use with steel tubing.

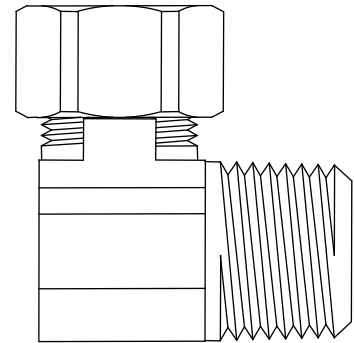
* Plastic tubing requires a plastic insert and a sleeve (see 60PT & 63PT submittal forms for details)

Design Features:

- **Little to no tube preparation.** Compression fittings do not require flaring, soldering or other types of tube preparation
- **Available in a broad range of sizes**
-  **No-lead available**

Operating Specifications:

- Temperature:** -65°- 250°F at maximum operating temperatures
Working Pressure: see chart below
Vibration: Fair vibration resistance



WORKING PRESSURE		
PSI	Tube O.D.	Tube Wall (Inches)
400	1/8	0.030
400	3/16	0.030
300	1/4	0.030
300	5/16	0.032
200	3/8	0.032
200	1/2	0.032
150	5/8	0.035
100	3/4	0.035
75	7/8	0.035



Standard Product

MATERIAL SPECIFICATIONS	
Fitting Body	Brass
Compression Sleeve	Brass
Compression Nut	Brass
Option	Chrome plating

Standard Part Listing:

- 69-2-2 1/8" OD Tube x 1/8" MIP
- 69-2-2-1 B 1/8" OD Tube x 1/8" MIP - body only, bulk
- 69-4-4 1/4" OD Tube x 1/4" MIP

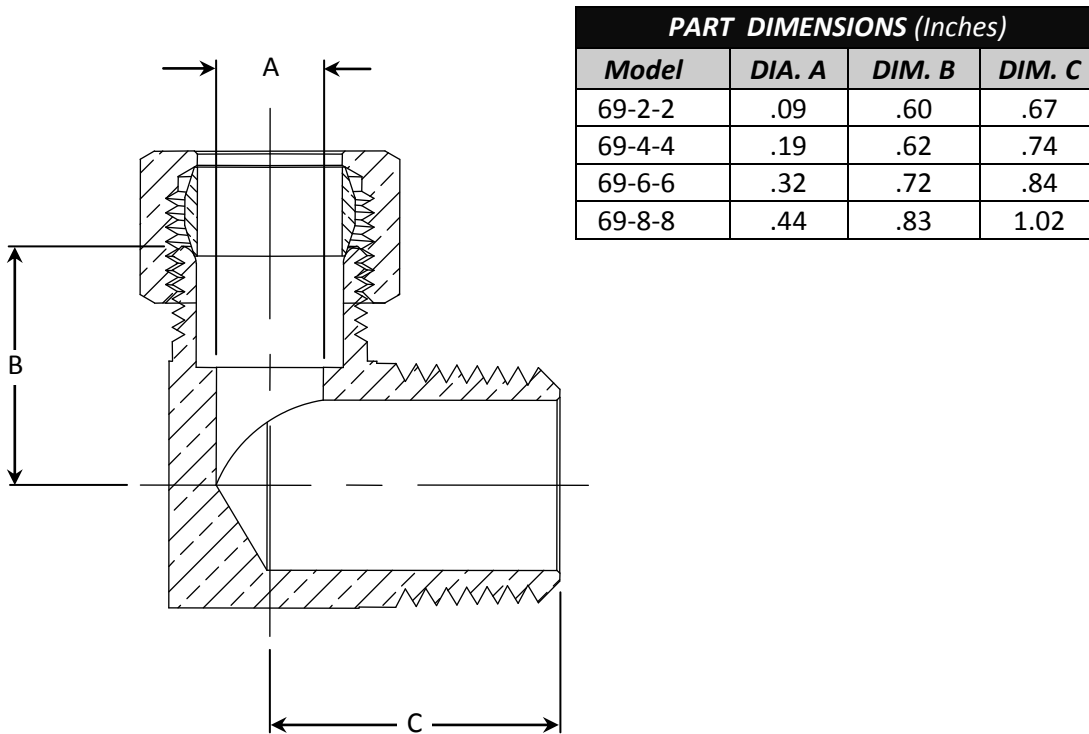
This specification and all information contained herein is the confidential and exclusive property of BrassCraft Manufacturing, and shall not be disclosed to others without the written consent of BrassCraft. This specification must be returned to BrassCraft if requested.



69 Series Compression x Male Iron Pipe Elbows

Standard Part Listing (con't):

- 69-4-4 B 1/4" OD Tube x 1/4" MIP, bulk
- 69-4-4-1 B 1/4" OD Tube x 1/4" MIP - body only, bulk
- 69-6-6 3/8" OD Tube x 3/8" MIP
- 69-6-6 B 3/8" OD Tube x 3/8" MIP, bulk
- 69-6-6 C 3/8" OD Tube x 3/8" MIP, chrome plated
- 69-6-6 CB 3/8" OD Tube x 3/8" MIP, chrome plated, bulk
- 69-6-6-1 B 3/8" OD Tube x 3/8" MIP - body only, bulk
- 69-6-6-1 CB 3/8" OD Tube x 3/8" MIP - body only, chrome plated, bulk
- 69-8-8 1/2" OD Tube x 1/2" MIP
- 69-8-8 B 1/2" OD Tube x 1/2" MIP, bulk
- 69-8-8 C 1/2" OD Tube x 1/2" MIP, chrome plated
- 69-8-8-1 B 1/2" OD Tube x 1/2" MIP - body only, bulk
- 69-8-8-1 CB 1/2" OD Tube x 1/2" MIP - body only, chrome plated, bulk



This specification and all information contained herein is the confidential and exclusive property of BrassCraft Manufacturing, and shall not be disclosed to others without the written consent of BrassCraft. This specification must be returned to BrassCraft if requested.

BrassCraft[®]

For Residential and Commercial Applications

Job Name		Engineer / Architect	
Job Location		Wholesaler	
Submittal Date		Contractor	

69 Series Compression x Male Iron Pipe Elbows

Use: For use with potable and non-potable water, instrumentation, hydraulic, and pneumatic systems. Designed for use with aluminum, copper, and plastic tubing*. Not intended for use with steel tubing.

* Plastic tubing requires a plastic insert and a sleeve (see 60PT & 63PT submittal forms for details)

Design Features:

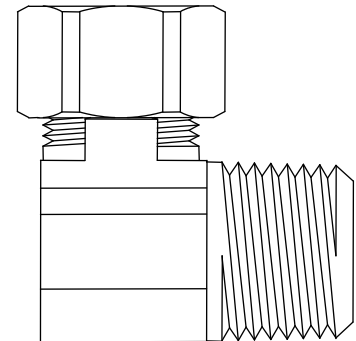
- **Little to no tube preparation.** Compression fittings do not require flaring, soldering, or other types of tube preparation
- **Available in a broad range of sizes**
- **No Lead**

Operating Specifications:

Temperature: -65° - 250°F at maximum operating temperatures

Working Pressure: See chart below

Vibration: Fair vibration resistance



WORKING PRESSURE		
PSI	Tube OD	Tube Wall (Inches)
400	1/8	0.030
300	1/4	0.030
200	3/8	0.032
200	1/2	0.032

MATERIAL SPECIFICATIONS	
Body	Brass
Compression Sleeve	Brass
Compression Nut	Brass
Option	Chrome plating

Part Listing:

- 69-2-2X 1/8" OD tube x 1/8" MIP
- 69-2-2-1X B 1/8" OD tube x 1/8" MIP - body only, bulk
- 69-4-4X 1/4" OD tube x 1/4" MIP
- 69-4-4-1X B 1/4" OD tube x 1/4" MIP - body only, bulk
- 69-6-6X 3/8" OD tube x 3/8" MIP
- 69-6-6X B 3/8" OD tube x 3/8" MIP, bulk
- 69-6-6X C 3/8" OD tube x 3/8" MIP, chrome plated
- 69-6-6X CB 3/8" OD tube x 3/8" MIP, chrome plated, bulk
- 69-6-6X CD 3/8" OD tube x 3/8" MIP, chrome plated, carded
- 69-6-6-1X B 3/8" OD tube x 3/8" MIP - body only, bulk
- 69-6-6-1X CB 3/8" OD tube x 3/8" MIP - body only, chrome plated, bulk

This specification and all information contained herein is the confidential and exclusive property of BrassCraft Manufacturing Co., and shall not be disclosed to others without the written consent of BrassCraft Mfg. Co. This specification must be returned to BrassCraft Mfg. Co. if requested.

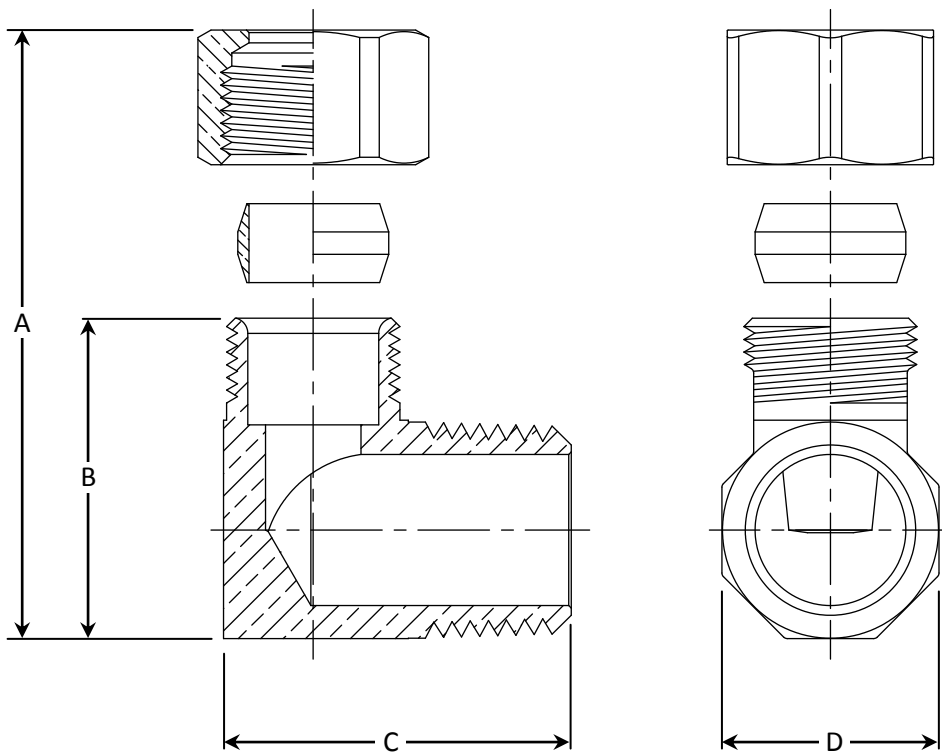


69 Series Compression x Male Iron Pipe Elbows

Part Listing (con't):

- 69-8-8X 1/2" OD tube x 1/2" MIP
- 69-8-8X C 1/2" OD tube x 1/2" MIP, chrome plated
- 69-8-8-1X B 1/2" OD tube x 1/2" MIP - body only, bulk

PART DIMENSIONS (Inches)				
Model	DIM. A	DIM. B	DIM. C	DIM. D
69-2-2X	.95	0.74	0.78	.46
69-4-4X	1.22	0.94	1.13	.58
69-6-6X	1.34	1.07	1.13	.69
69-8-8X	1.50	1.17	1.37	.82



Listings & Certifications:

- No-lead product CSA listed to NSF 372 (Class 6853-01)



This specification and all information contained herein is the confidential and exclusive property of BrassCraft Manufacturing Co., and shall not be disclosed to others without the written consent of BrassCraft Mfg. Co. This specification must be returned to BrassCraft Mfg. Co. if requested.

BrassCraft®