

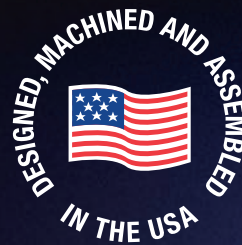
**BrassCraft®**



**WATER STOPS HERE**



KT™ Series 1/4 Turn Ball Stops



 **No Lead**



Just like you, the BrassCraft® KT™ Series ¼ Turn Ball Stops outperform – stopping at nothing to get the job done right. Designed, Machined and Assembled in the U.S.A., these stops provide uncompromising quality, dependability and innovation. With premium features, a sleek appearance and ease-of-use, the KT Series ¼ Turn Ball Stop is nothing short of brilliant. That is why plumbers have trusted BrassCraft products for more than 65 years.

### ***Every KT Series ¼ Turn Ball Stop offers:***

**High Performance Seats** Uniquely designed PTFE seats provide corrosion resistance and a watertight seal while assuring ease of use, even after long periods of time.

**Precision — Machined Brass Ball** Specially engineered brass ball mated with PTFE seats resists corrosion, provides long life and ensures ease of operation.

**Chrome-Plated Brass Body** Machined one-piece brass body for strength and durability with chrome finish for corrosion resistance and fine appearance.

**Double O-Rings** Ensures safe, reliable performance.

**Plated Stem** Provides corrosion resistance and prevents o-ring damage after long periods of non-use.

**Chrome Plated, Metal Handle** Designed for durability, corrosion resistance, and a sleek appearance.

**100% Leak Tested** Each stop is leak tested to ensure reliability.

**Compliant KT Stops** Meets “no-lead” requirements.

**The KT Series ¼ Turn Ball Stop by BrassCraft Manufacturing – with uncompromising quality and superior performance, it stops short of nothing.**

**Committed to Quality, Driven by Innovation**



**BrassCraft®**



Scan for more information.

**BrassCraft Manufacturing Co.**  
39600 Orchard Hill Place  
Novi, Michigan 48375-5331  
TOLL FREE (877) 272-7755  
FAX: (248) 305-6011

[www.brasscraft.com](http://www.brasscraft.com)

35 Currah Road  
St. Thomas, Ontario N5P 3R2  
(519) 633-0340  
FAX: (519) 633-0777

**For Residential and Commercial Applications**

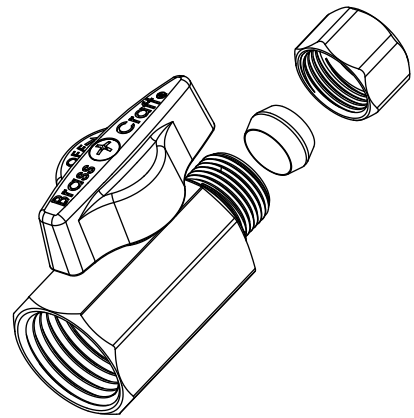
Job Name		Engineer / Architect	
Job Location		Wholesaler	
Submittal Date		Contractor	

## KTR10X / KTR12X 1/4 Turn Straight Ball Stop – Female Iron Pipe x Compression

**Use:** For use only in potable water distribution systems, hot and cold, in accessible locations only.

**Design Features:**

- **Machined brass ball** is specially engineered and mated with PTFE seats to provide smooth operation without freeze ups even after long periods of non-use
- **Two high-performance o-rings** withstand high temperatures and corrosion from harsh water environments
- **Machined, one-piece brass body** provides strength, durability, and long-lasting performance
- **Brass stem** is assembled from the inside out with two o-rings to ensure safe, reliable performance
- **Plated stem** provides corrosion resistance and prevents o-ring damage after long periods of non-use
- **Exclusive, chrome-plated metal handle** is designed for durability, corrosion resistance, and a sleek appearance
- **Easy-to-remove handle** with screw attachment protects accidental stop operation during rough-ins
- **100% leak tested**
- **✓ No Lead**



**Operating Specifications:**

**Temperature:** 40° - 180° F  
**Pressure:** 125 PSI maximum

<b>MATERIAL SPECIFICATIONS</b>	
<b>Body</b>	<i>Brass, chrome plated</i>
<b>Stem</b>	<i>Brass, plated</i>
<b>Seat</b>	<i>PTFE</i>
<b>Ball</b>	<i>Brass, plated</i>
<b>Stem o-ring</b>	<i>Rubber</i>
<b>Handle</b>	<i>Zinc, die cast plated</i>
<b>Handle Screw</b>	<i>Steel, zinc plated</i>
<b>Compression Sleeve</b>	<i>Brass</i>
<b>Compression Nut</b>	<i>Brass, chrome plated</i>

*This specification and all information contained herein is the confidential and exclusive property of BrassCraft Manufacturing Co., and shall not be disclosed to others without the written consent of BrassCraft Mfg. This specification must be returned to BrassCraft Mfg. if requested.*

400.04 KTR10/12 1/4 Turn Straight Ball Stop - FIP x Compr REV 04/16



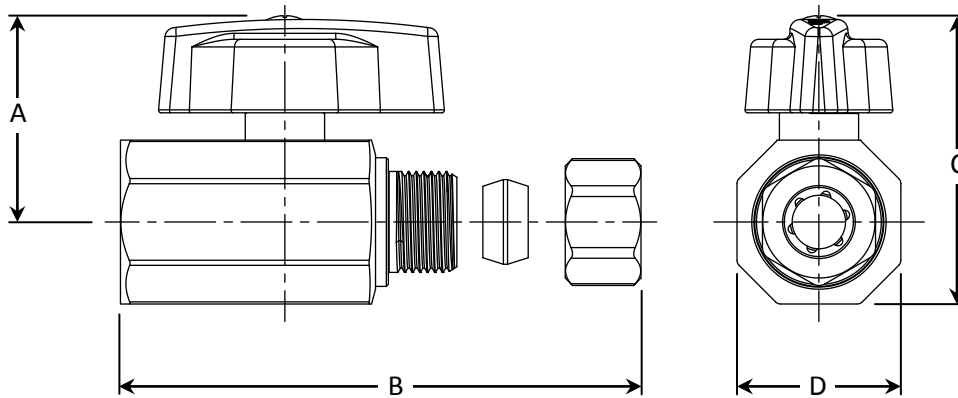
© 2016 BrassCraft Mfg. Co.

# KTR10X / KTR12X 1/4 Turn Straight Ball Stop – Female Iron Pipe x Compression

**Part Listing:**

- KTR10X C 3/8" FIP x 3/8" OD compression, chrome plated
- KTR10X C1 3/8" FIP x 3/8" OD compression, chrome plated, window tray
- KTR12X C 1/2" FIP x 3/8" OD compression, chrome plated
- KTR12X C1 1/2" FIP x 3/8" OD compression, chrome plated, window tray
- KTR12L1X CB 1/2" FIP x 3/8" OD compression, chrome plated, bulk

<b>PART DIMENSIONS (Inches)</b>				
<b>Model</b>	<b>DIM. A</b>	<b>DIM. B</b>	<b>DIM. C</b>	<b>DIM. D</b>
KTR10X	1.14	2.13	1.59	.91
KTR12X	1.14	2.13	1.59	.91



**Listings & Certifications:**

- IAPMO listed to ASME A112.18.1 / CSA B125.1 (Including NSF 61 and NSF 372)(File 0645)
- CSA listed to ASME A112.18.1 / CSA B125.1 (Including NSF 61 and NSF 372)(File 204593)
- No-lead product CSA listed to NSF 372 (Class 6853-01)



*This specification and all information contained herein is the confidential and exclusive property of BrassCraft Manufacturing Co., and shall not be disclosed to others without the written consent of BrassCraft Mfg. This specification must be returned to BrassCraft Mfg. if requested.*

400.04 KTR10/12 1/4 Turn Straight Ball Stop - FIP x Compr REV 04/16

**BrassCraft®**

© 2016 BrassCraft Mfg. Co.