

**For Residential and Commercial Applications**

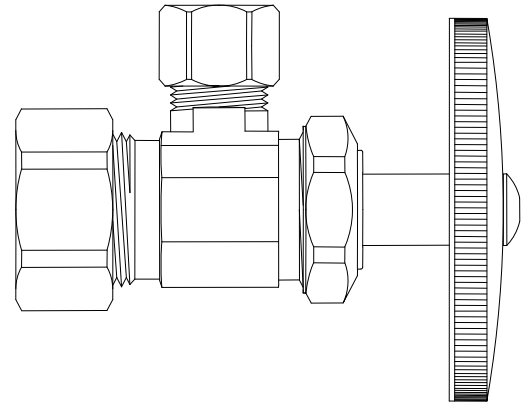
Job Name		Engineer / Architect	
Job Location		Wholesaler	
Submittal Date		Contractor	

## OCR1B/ OCR3B & OCR09/ OCR19/ OCR39/ OCR49 Multi-Turn Angle Stop – Compression x Compression

**Use:** For use in potable water distribution systems. Not intended for recirculating water systems that produce continuous use temperatures above 115° F. For those applications, use BrassCraft KT series ball stops

**Design Features:**

- **Machined one-piece brass body** provides strength, durability and long-lasting performance
- **Oval knurled handle** provides a secure grip and smooth on/off operation
- **Easy-to-remove handle** with screw attachment protects accidental stop operation during rough-ins
- **Compliant Stops** available for California and Vermont “low-lead” requirements



**Operating Specifications:**

**Temperature:** 40° - 140° F

**Pressure:** 125 psi maximum



**Standard**

MATERIAL SPECIFICATIONS	
<b>Valve Body</b>	C36000 brass
<b>Stem</b>	POM or C36000 brass*
<b>Bib &amp; Packing Washers</b>	Nitrile or EPDM rubber
<b>Packing Nut</b>	C36000 brass
<b>Handle</b>	Plated metal, chrome-plated ABS or Lexan
<b>Handle Screw</b>	Zinc-plated steel
<b>Compression Sleeve</b>	C36000 brass
<b>Compression Nut</b>	C36000 brass, chrome plated

\*Where specified

**Compliant**

MATERIAL SPECIFICATIONS	
<b>Valve Body</b>	Compliant brass
<b>Stem</b>	POM or Compliant brass*
<b>Bib &amp; Packing Washers</b>	Nitrile or EPDM rubber
<b>Packing Nut</b>	Compliant brass
<b>Handle</b>	ABS, chrome plated
<b>Handle Screw</b>	Zinc-plated steel
<b>Compression Sleeve</b>	Compliant brass
<b>Compression Nut</b>	C36000 brass, chrome plated

**Standard Part Listing:**

- OCR1B C      3/8" Nom. Compression x 3/8" OD Compression, chrome plated
- OCR1B C1    3/8" Nom. Compression x 3/8" OD Compression, chrome plated, window box
- OCR1BZ C    3/8" Nom. Compression x 3/8" OD Compression, brass stem, chrome plated
- OCR3B C      3/8" Nom. Compression x 1/2" OD Compression, chrome plated
- OCR09 C      1/2" Nom. Compression x 1/4" OD Compression, chrome plated

*This specification and all information contained herein is the confidential and exclusive property of BrassCraft Manufacturing, and shall not be disclosed to others without the written consent of BrassCraft. This specification must be returned to BrassCraft if requested.*



# OCR1B/ OCR3B & OCR09/ OCR19/ OCR39/ OCR49

## Multi-Turn Angle Stop – Compression x Compression

### Standard Part Listing (con't):

<input type="checkbox"/>	OCR09 C1	1/2" Nom. Compression x 1/4" OD Compression, chrome plated, window box
<input type="checkbox"/>	OCR09 CBT	1/2" Nom. Compression x 1/4" OD Compression, chrome plated, bulk
<input type="checkbox"/>	OCR09 R	1/2" Nom. Compression x 1/4" OD Compression, rough brass
<input type="checkbox"/>	OCR09Z C	1/2" Nom. Compression x 1/4" OD Compression, brass stem, chrome plated
<input type="checkbox"/>	OCR09Z R	1/2" Nom. Compression x 1/4" OD Compression, brass stem, rough brass
<input type="checkbox"/>	OCR19 C	1/2" Nom. Compression x 3/8" OD Compression, chrome plated
<input type="checkbox"/>	OCR19 CBT	1/2" Nom. Compression x 3/8" OD Compression, chrome plated, bulk
<input type="checkbox"/>	OCR19 C1	1/2" Nom. Compression x 3/8" OD Compression, chrome plated, window box
<input type="checkbox"/>	OCR19 BZ	1/2" Nom. Compression x 3/8" OD Compression, oil rubbed bronze
<input type="checkbox"/>	OCR19 NP	1/2" Nom. Compression x 3/8" OD Compression, polished nickel
<input type="checkbox"/>	OCR19 NS	1/2" Nom. Compression x 3/8" OD Compression, satin nickel
<input type="checkbox"/>	OCR19 P	1/2" Nom. Compression x 3/8" OD Compression, polished brass
<input type="checkbox"/>	OCR19 R	1/2" Nom. Compression x 3/8" OD Compression, rough brass
<input type="checkbox"/>	OCR19 RB	1/2" Nom. Compression x 3/8" OD Compression, rough brass, bulk
<input type="checkbox"/>	OCR19 RBT	1/2" Nom. Compression x 3/8" OD Compression, rough brass, bulk
<input type="checkbox"/>	OCR19 R1	1/2" Nom. Compression x 3/8" OD Compression, rough brass, window box
<input type="checkbox"/>	OCR19K C	1/2" Nom. Compression x 3/8" OD Compression, plastic handle, chrome plated
<input type="checkbox"/>	OCR19K CB	1/2" Nom. Compression x 3/8" OD Compression, plastic handle, chrome plated, bulk
<input type="checkbox"/>	OCR19KL1 CB	1/2" Nom. Compression x 3/8" OD Compression, less outlet nut, plastic handle, chrome plated, bulk
<input type="checkbox"/>	OCR19KL1 RB	1/2" Nom. Compression x 3/8" OD Compression, less outlet nut, plastic handle, rough brass, bulk
<input type="checkbox"/>	OCR19L1 CB	1/2" Nom. Compression x 3/8" OD Compression, less outlet nut, chrome plated, bulk
<input type="checkbox"/>	OCR19L1 RB	1/2" Nom. Compression x 3/8" OD Compression, less outlet nut, rough brass, bulk
<input type="checkbox"/>	OCR19L4 C100T	1/2" Nom. Compression x 3/8" OD Compression, less inlet nut, chrome plated, bulk
<input type="checkbox"/>	OCR19P C	1/2" Nom. Compression x 3/8" OD Compression, less handle, handle screw included, chrome plated
<input type="checkbox"/>	OCR19P R	1/2" Nom. Compression x 3/8" OD Compression, less handle, handle screw included, rough brass
<input type="checkbox"/>	OCR19PX C	1/2" Nom. Compression x 3/8" OD Compression, PEX insert, chrome plated
<input type="checkbox"/>	OCR19PX R	1/2" Nom. Compression x 3/8" OD Compression, PEX insert, rough brass
<input type="checkbox"/>	OCR19T CB	1/2" Nom. Compression x 3/8" OD Compression, chrome plated, no tray, bulk
<input type="checkbox"/>	OCR19Z C	1/2" Nom. Compression x 3/8" OD Compression, brass stem, chrome plated
<input type="checkbox"/>	OCR19Z R	1/2" Nom. Compression x 3/8" OD Compression, brass stem, rough brass
<input type="checkbox"/>	OCR29 C	1/2" Nom. Compression x 7/16" OD Compression, chrome plated
<input type="checkbox"/>	OCR29 C1	1/2" Nom. Compression x 7/16" OD Compression, chrome plated, window box
<input type="checkbox"/>	OCR29 R	1/2" Nom. Compression x 7/16" OD Compression, rough brass
<input type="checkbox"/>	OCR29Z C	1/2" Nom. Compression x 7/16" OD Compression, brass stem, chrome plated
<input type="checkbox"/>	OCR39 C	1/2" Nom. Compression x 1/2" OD Compression, chrome plated
<input type="checkbox"/>	OCR39 CBT	1/2" Nom. Compression x 1/2" OD Compression, chrome plated, bulk
<input type="checkbox"/>	OCR39 C1	1/2" Nom. Compression x 1/2" OD Compression, chrome plated, window box
<input type="checkbox"/>	OCR39 R	1/2" Nom. Compression x 1/2" OD Compression, rough brass
<input type="checkbox"/>	OCR39Z C	1/2" Nom. Compression x 1/2" OD Compression, brass stem, chrome plated
<input type="checkbox"/>	OCR49 C	1/2" Nom. Compression x 5/8" OD Compression, chrome plated
<input type="checkbox"/>	OCR49Z C	1/2" Nom. Compression x 5/8" OD Compression, brass stem, chrome plated

### Compliant Part Listing:

<input type="checkbox"/>	OCR09X C	1/2" Nom. Compression x 1/4" OD Compression, chrome plated
--------------------------	----------	--

*This specification and all information contained herein is the confidential and exclusive property of BrassCraft Manufacturing, and shall not be disclosed to others without the written consent of BrassCraft. This specification must be returned to BrassCraft if requested.*

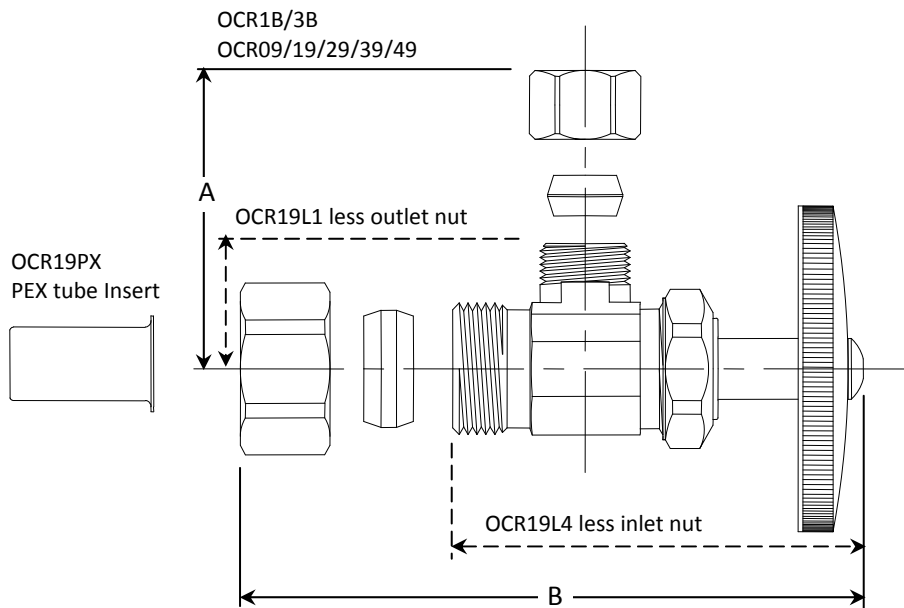
**BrassCraft®**

# OCR1B/ OCR3B & OCR09/ OCR19/ OCR39/ OCR49

## Multi-Turn Angle Stop – Compression x Compression

### Compliant Part Listing (con't):

<input type="checkbox"/>	OCR09X C1	1/2" Nom. Compression x 1/4" OD Compression, chrome plated, window box
<input type="checkbox"/>	OCR09X R	1/2" Nom. Compression x 1/4" OD Compression, rough brass
<input type="checkbox"/>	OCR19X C	1/2" Nom. Compression x 3/8" OD Compression, chrome plated
<input type="checkbox"/>	OCR19X C1	1/2" Nom. Compression x 3/8" OD Compression, chrome plated, window box
<input type="checkbox"/>	OCR19X R	1/2" Nom. Compression x 3/8" OD Compression, rough brass
<input type="checkbox"/>	OCR19X R1	1/2" Nom. Compression x 3/8" OD Compression, rough brass, window box
<input type="checkbox"/>	OCR19L1X CB	1/2" Nom. Compression x 3/8" OD Compression, less outlet nut, chrome plated, bulk
<input type="checkbox"/>	OCR19L1X RB	1/2" Nom. Compression x 3/8" OD Compression, less outlet nut, rough brass, bulk
<input type="checkbox"/>	OCR19L4X C100T	1/2" Nom. Compression x 3/8" OD Compression, less inlet nut, chrome plated, 100 per case
<input type="checkbox"/>	OCR19PXX C	1/2" Nom. Compression x 3/8" OD Compression, PEX insert, chrome plated
<input type="checkbox"/>	OCR19ZX C	1/2" Nom. Compression x 3/8" OD Compression, brass stem, chrome plated
<input type="checkbox"/>	OCR29X C	1/2" Nom. Compression x 7/16" OD Compression, chrome plated
<input type="checkbox"/>	OCR29X C1	1/2" Nom. Compression x 7/16" OD Compression, chrome plated, window box
<input type="checkbox"/>	OCR29X R	1/2" Nom. Compression x 7/16" OD Compression, rough brass
<input type="checkbox"/>	OCR39X C	1/2" Nom. Compression x 1/2" OD Compression, chrome plated
<input type="checkbox"/>	OCR39X CBT	1/2" Nom. Compression x 1/2" OD Compression, chrome plated, bulk
<input type="checkbox"/>	OCR39X C1	1/2" Nom. Compression x 1/2" OD Compression, chrome plated, window box
<input type="checkbox"/>	OCR39X R	1/2" Nom. Compression x 1/2" OD Compression, rough brass



PART DIMENSIONS (Inches)		
Model	DIM. A	DIM. B
OCR1B	1.02	2.75
OCR3B	1.11	2.75
OCR09	1.02	2.75
OCR19	1.02	2.75
OCR19K	1.02	2.75
OCR19L1	.74	2.75
OCR19L4	1.02	2.41
OCR19P	1.02	2.41
OCR19PX	1.02	2.41
OCR29	1.18	2.85
OCR39	1.11	2.85
OCR49	1.18	2.97

### Listings & Certifications:

- IAPMO listed to ASME A112.18.1-05 / CSA B125.1-05 (File # 0645)
- CSA listed to ASME A112.18.1-05 / CSA B125.1-05 (File # 204593)
- Compliant product CSA approved to California Health & Safety Code 116875 and Vermont Bill S.152 (Project # 2174785)



This specification and all information contained herein is the confidential and exclusive property of BrassCraft Manufacturing, and shall not be disclosed to others without the written consent of BrassCraft. This specification must be returned to BrassCraft if requested.

**BrassCraft**<sup>®</sup>