

4

3

2

1

**BILL OF MATERIAL (CURRENT LEVEL)**

ITEM	PT/ASSY	DESCRIPTION	TYPE	QTY.
1	295	HAND SHOWER SLIDE BAR	ASSEMBLY	1
2	283-3	HAND SHOWER - CONTEMPORARY	ASSEMBLY	1
3	284	59 IN. SPIRAL SHOWER HOSE	ASSEMBLY	1
4	285-2	SUPPLY ELBOW ASM - CONTEMPORARY	ASSEMBLY	1

D

D

C

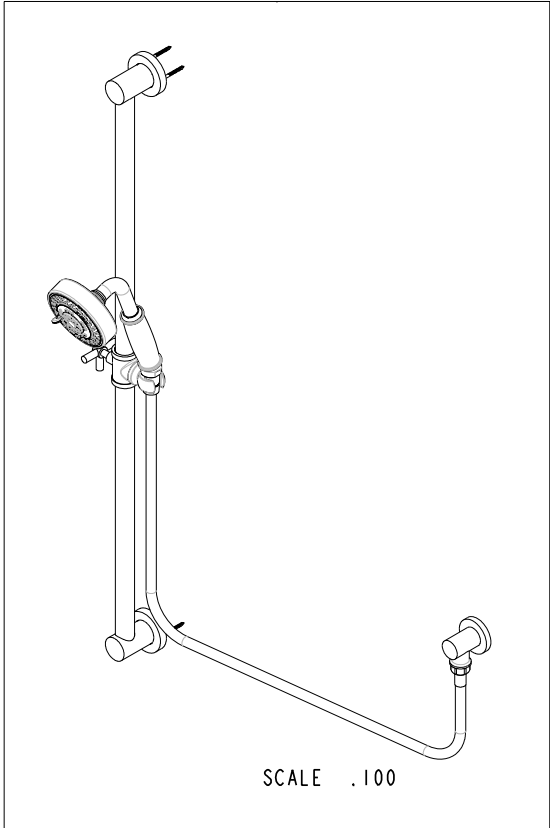
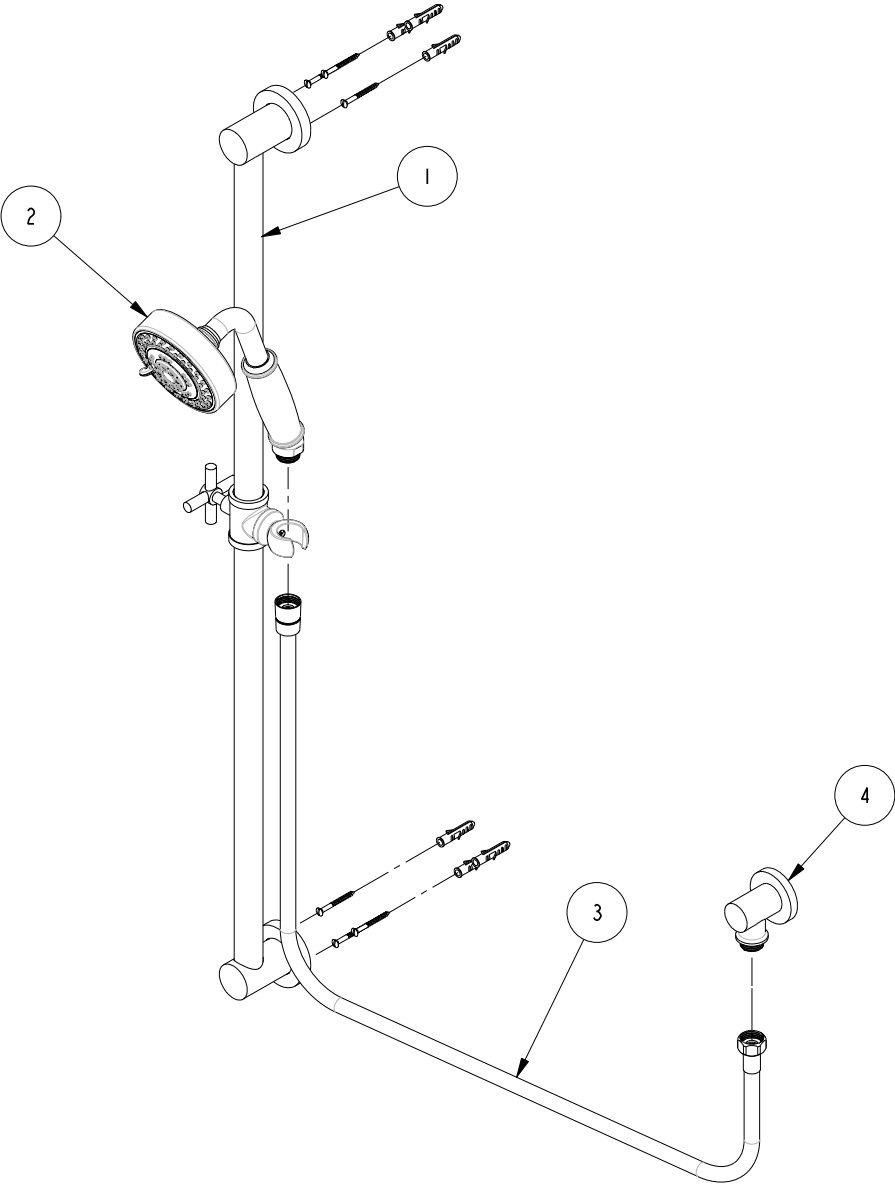
C

B

B

A

A



COPYRIGHT 2005 BRASSTECH, INC. THESE DRAWINGS AND THE DESIGNS DEPICTED HEREIN ARE THE PROPRIETARY PROPERTY OF BRASSTECH. ANY USE OR REPRODUCTION IS SUBJECT TO THE EXPRESS APPROVAL OF BRASSTECH. UNAUTHORIZED USE IS STRICTLY PROHIBITED. ALL RIGHTS RESERVED.

**BRASSTECH**  
 INCORPORATED  
 2001 E. CARNEGIE AVE.  
 SANTA ANA, CA 92705  
 (949) 417-5207

**HAND SHOWER SLIDE BAR**

ASSY. NO. <b>280F</b>		A	EN-1426	06/04/10
SCALE .150	REF. -	-	EN-0940	02/11/08
SHEET 1 OF 2		REV	REV DESC	DATE

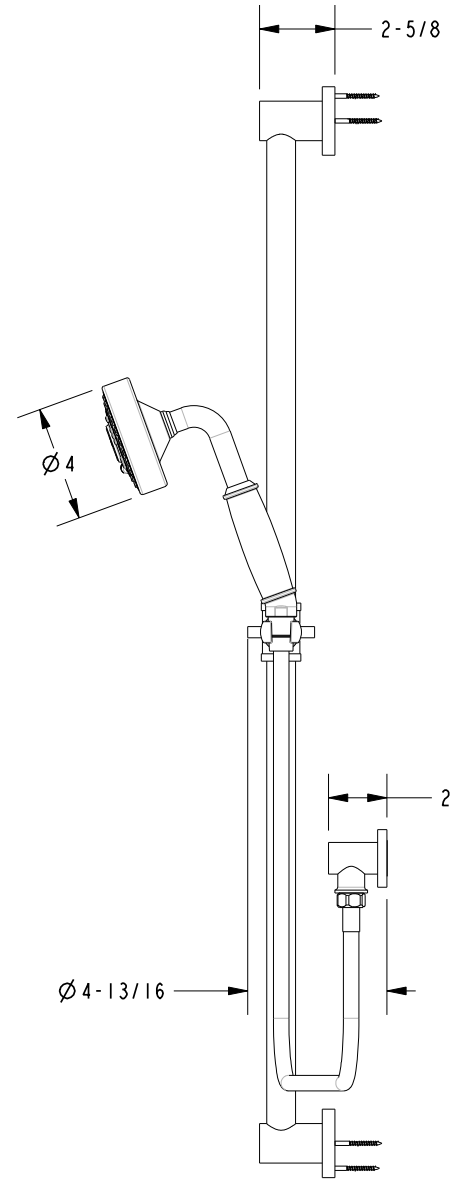
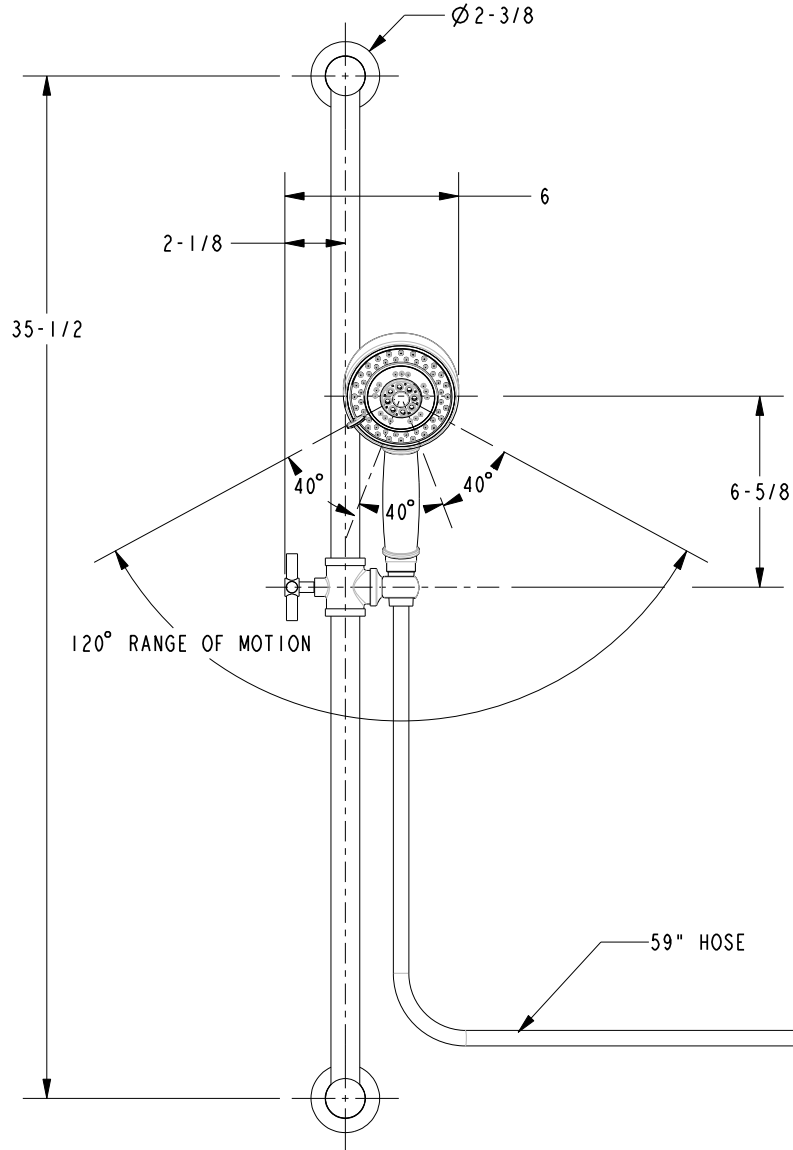
4

3

2

1

**SPECIFICATION DWG**



DIMENSIONS ARE IN INCHES AND AN APPROXIMATION OF A TYPICAL INSTALLATION

COPYRIGHT 2005 BRASSTECH, INC. THESE DRAWINGS AND THE DESIGNS DEPICTED HEREIN ARE THE PROPRIETARY PROPERTY OF BRASSTECH. ANY USE OR REPRODUCTION IS SUBJECT TO THE EXPRESS APPROVAL OF BRASSTECH. UNAUTHORIZED USE IS STRICTLY PROHIBITED. ALL RIGHTS RESERVED.

<b>BRASSTECH</b>		2001 E. CARNEGIE AVE.	
INCORPORATED		SANTA ANA, CA 92705	
		(949) 417-5207	
DWG NO.	280F	REV	A
SCALE	.150	REF.	-
		SHEET	2 OF 2