

4

3

2

1

D

D

C

C

B

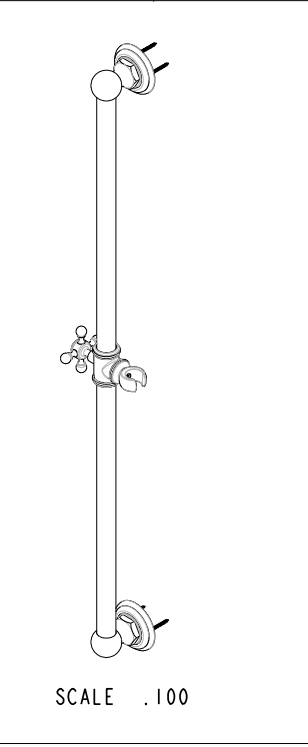
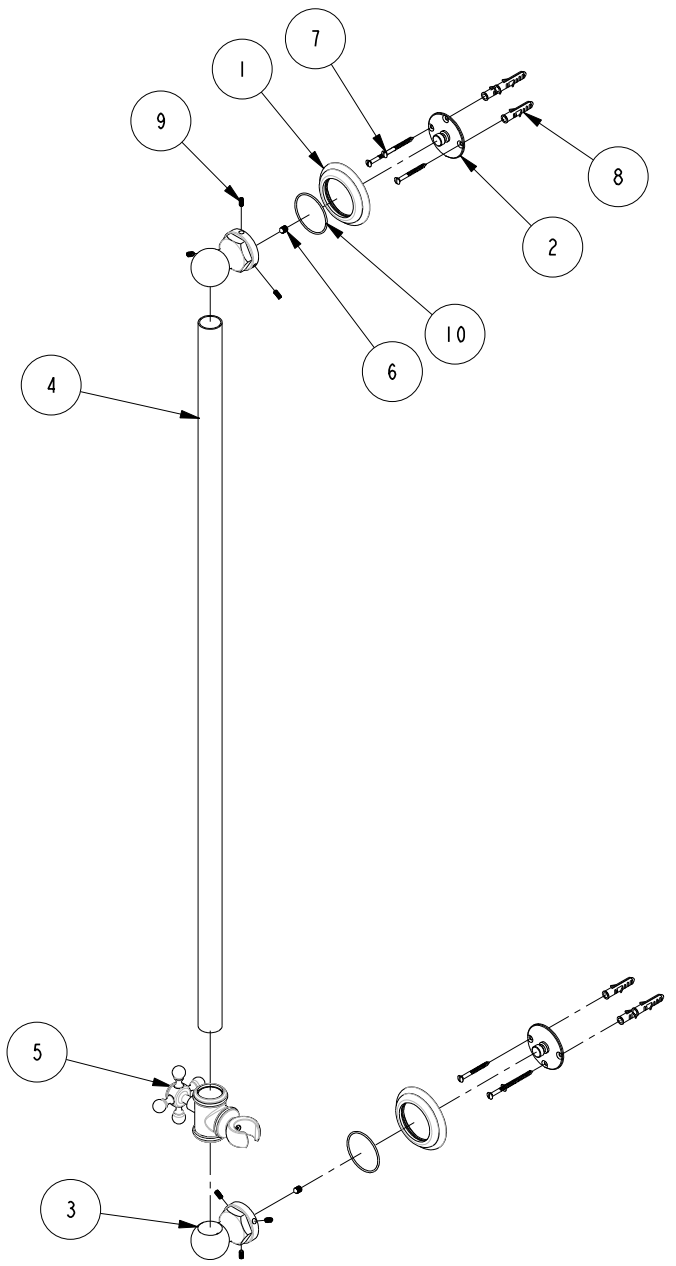
B

A

A

**BILL OF MATERIAL (CURRENT LEVEL)**

ITEM	PT/ASSY	DESCRIPTION	TYPE	QTY.
1	11385	ESCUTCHEON	PART	2
2	80186	BRACKET	PART	2
3	11376	END POST	PART	2
4	80190	SLIDE BAR TUBE	PART	1
5	3-375	SLIDE BAR HOLDER ASM - TRAD	ASSEMBLY	1
6	92255	1/4-20 X 1/2" CONE POINT SET SCREW	PART	2
7	92051	SCREW #8 X 1-3/4	PART	6
8	91165	WALL ANCHOR PLASTIC	PART	6
9	92259	8-32 x 3/8" STAINLESS STEEL SET SCREW	PART	6
10	91366	O-RING #2-031	PART	2



COPYRIGHT 2005 BRASSTECH, INC. THESE DRAWINGS AND THE DESIGNS DEPICTED HEREIN ARE THE PROPRIETARY PROPERTY OF BRASSTECH. ANY USE OR REPRODUCTION IS SUBJECT TO THE EXPRESS APPROVAL OF BRASSTECH. UNAUTHORIZED USE IS STRICTLY PROHIBITED. ALL RIGHTS RESERVED.

**BRASSTECH**  
 INCORPORATED  
 2001 E. CARNEGIE AVE.  
 SANTA ANA, CA 92705  
 (949) 417-5207

**HAND SHOWER SLIDE BAR**

ASSY. NO.	294	A	EN-1426	04/15/10
SCALE .125	REF. -	SHEET 1 OF 2	REV	REV DESC
			DATE	

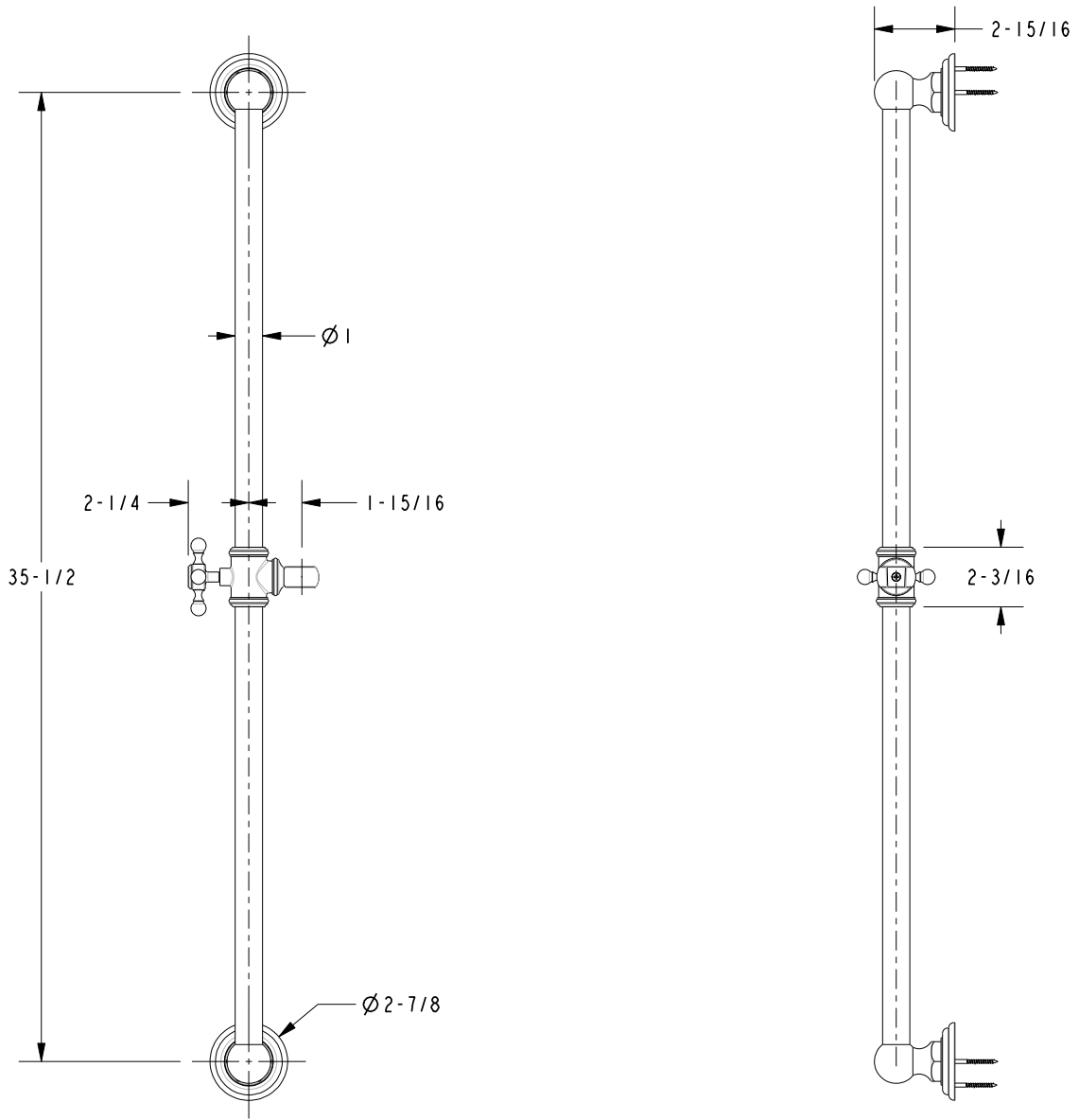
4

3

2

1

SPECIFICATION DWG



DIMENSIONS ARE IN INCHES AND AN APPROXIMATION OF A TYPICAL INSTALLATION

COPYRIGHT 2005 BRASSTECH, INC. THESE DRAWINGS AND THE DESIGNS DEPICTED HEREIN ARE THE PROPRIETARY PROPERTY OF BRASSTECH. ANY USE OR REPRODUCTION IS SUBJECT TO THE EXPRESS APPROVAL OF BRASSTECH. UNAUTHORIZED USE IS STRICTLY PROHIBITED. ALL RIGHTS RESERVED.

<b>BRASSTECH</b>		2001 E. CARNEGIE AVE.	
INCORPORATED		SANTA ANA, CA 92705	
		(949) 417-5207	
DWG NO.	294	REV	A
SCALE	.150	REF.	-
		SHEET	2 OF 2