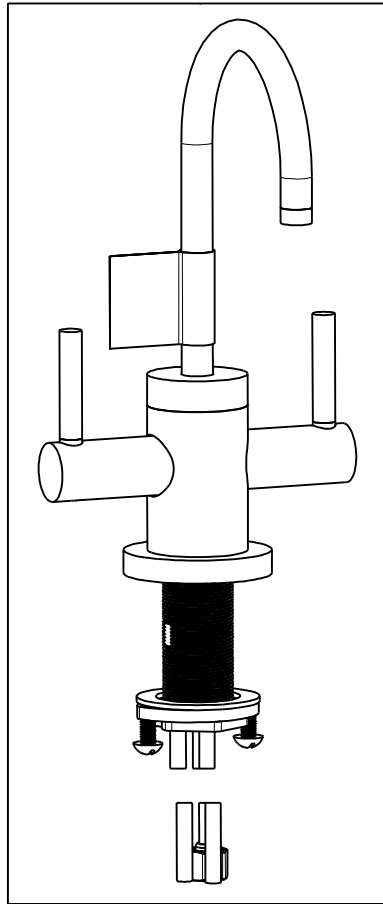


NOTES:

1. TO INSPECT ASSEMBLY, FOLLOW FIRST ARTICLE AND IN PROCESS INSPECTION SHEET.
2. APPLY LOCTITE 680.
3. CUT AND SHORTEN O-RING BY .13" TO .20" IN LENGTH BEFORE INSTALLING.
4. SLIT O-RING BEFORE INSTALLING.
5. APPLY LOCTITE 242.
6. CONNECT WHITE AND RED TUBINGS TOGETHER AND WATER TEST WHOLE UNIT.
7. BAG 92194 IN A SEPARATE BAG.
8. REWORK CARTRIDGE ASSY IF THE HANDLE DOES NOT RETURN TO THE 'OFF' POSITION AUTOMATICALLY AFTER WATER TESTING.
9. INSTALLATION TORQUE: 8-14 LB-FT.
10. INSTALLATION TORQUE: 78 LB-IN +/-6 LB-IN.
11. LUBRICATE SPRING WITH DOW CORNING III SILICONE COMPOUND.
12. APPLY LIGHT FILM OF DOW CORNING III SILICONE COMPOUND.
13. INSTALLATION TORQUE: 10-14 LB-IN



BILL OF MATERIAL (CURRENT LEVEL)

ITEM	PT/ASSY	DESCRIPTION	TYPE	QTY.
1	1-134	CARTR 3/8 HOT 1/4 TR	PART	1
2	1-393	1-1/8 18 UNEF MOUNTING KIT	ASSEMBLY	1
3	1-431	RED SUPPLY LINE	ASSEMBLY	1
4	1-432	BLUE SUPPLY LINE	ASSEMBLY	1
5	1-433	GREY SUPPLY LINE	ASSEMBLY	1
6	5-052	SPOUT ASM	ASSEMBLY	1
7	5-061	ADAPTER/CARTRIDGE ASSY	ASSEMBLY	1
8	10831	ESCUTCHEON (DECK SPOUT)	PART	1
9	11833	ADAPTER	PART	1
10	12657	WATER DISP HANDLE (CONT.)	PART	2
11	13070	RETAINER PLATE	PART	1
12	13287	WATER DISP. BODY H/C (CONT)	PART	1
13	13289	NIPPLE	PART	1
14	50714	WATER DISP. CAR.T HOLDER	PART	2
15	50716	WATER DISP BODY CAP (CONT.)	PART	1
16	50717	WATER DISP SPOUT RETAINER	PART	1
17	50721	WATER DISP LEVER (CONT.)	PART	2
18	91017	O-RING, #2- 012, EPDM, 65-75 DURO, NSF 61	PART	2
19	91023	O-RING, #2- 019, EPDM, 65-75 DURO, NSF 61	PART	1
20	91373	BLUE IDENTIFIER	PART	1
21	91374	RED IDENTIFIER	PART	1
22	91382	O-RING, #2- 012, TEFLON,	PART	1
23	91383	O-RING, #2- 014, TEFLON, NSF 61	PART	1
24	91424	WSHR, .81 ID X .93 OD X .045 THK, FLT, PLST	PART	2
25	91753	O-RING, # 2-136, EP, 50 DURO - GREY	PART	1
26	92000	SCREW 8 - 32 X 1/8 SS	PART	2
27	92016	SCRW, 10-24 X 3/4 SKT HD FLT PT SS	PART	1
28	92192	SCRW, 10-32 X 5/8 SKT HD CUP PT SS	PART	2
29	92194	COUPLING, 3/8" X 1/4"	PART	1
30	92477	SCRW, M4 X 16 SKT FLT HD SS	PART	1
31	98043	TAG LABEL, HOT WATER WARNING	PART	1

-	T	EN-4300jj	07/22/21	R.S.
-	R	EN-3634A	11/22/19	C.G.
-	P	EN-3941	08/28/19	C.G.
-	N	EN-3862	05/07/19	C.G.
-	M	EN-3558o	12/31/18	V.V.
-	L	EN-3311	05/11/17	J.A.
ZONE	REV	DESCRIPTION	DATE	APPROVED

COPYRIGHT 2005 BRASSTECH, INC. THESE DRAWINGS AND THE DESIGNS DEPICTED HEREIN ARE THE PROPRIETARY PROPERTY OF BRASSTECH. ANY USE OR REPRODUCTION IS SUBJECT TO THE EXPRESS APPROVAL OF BRASSTECH. UNAUTHORIZED USE IS STRICTLY PROHIBITED. ALL RIGHTS RESERVED.

TESTING	-	-	-
ASSEMBLY	-	-	-
PLATING	-	-	-
POLISHING	-	NEXT ASSY	USED ON
MACHINING	-	APPLICATION	
TOOLING FIXTURE #		REMOVE ALL BURRS AND SHARP EDGES	

UNITS ARE: INCHES [MM]
TOLERANCES ARE:
FRACTIONS DECIMALS ANGLES
±1/16" .X ±.1 [2.5] ±1°
.XX ±.06 [1.5]

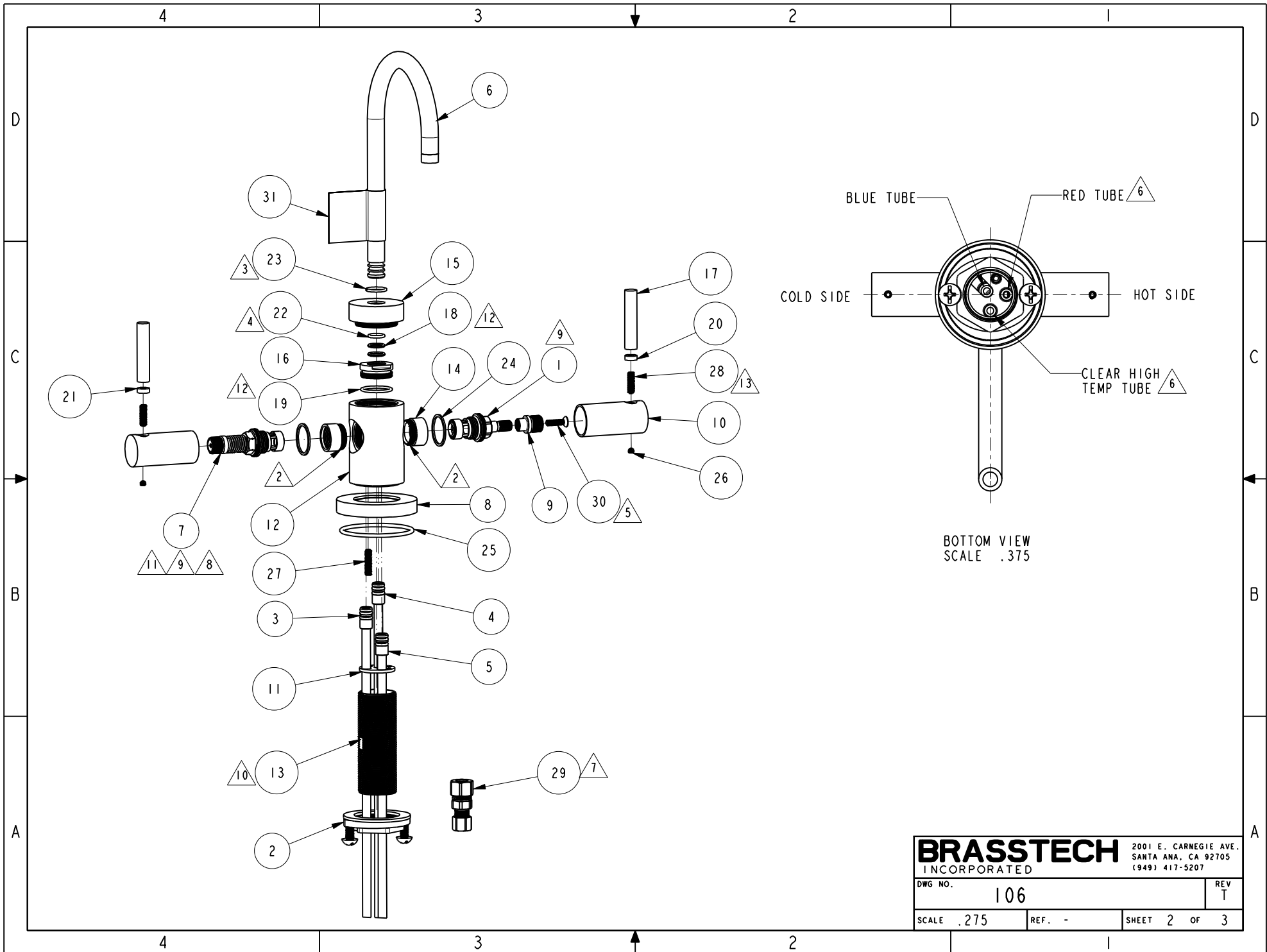
(X.XXX) DENOTES CRITICAL DIMS.
ALL THREADS ARE CRITICAL

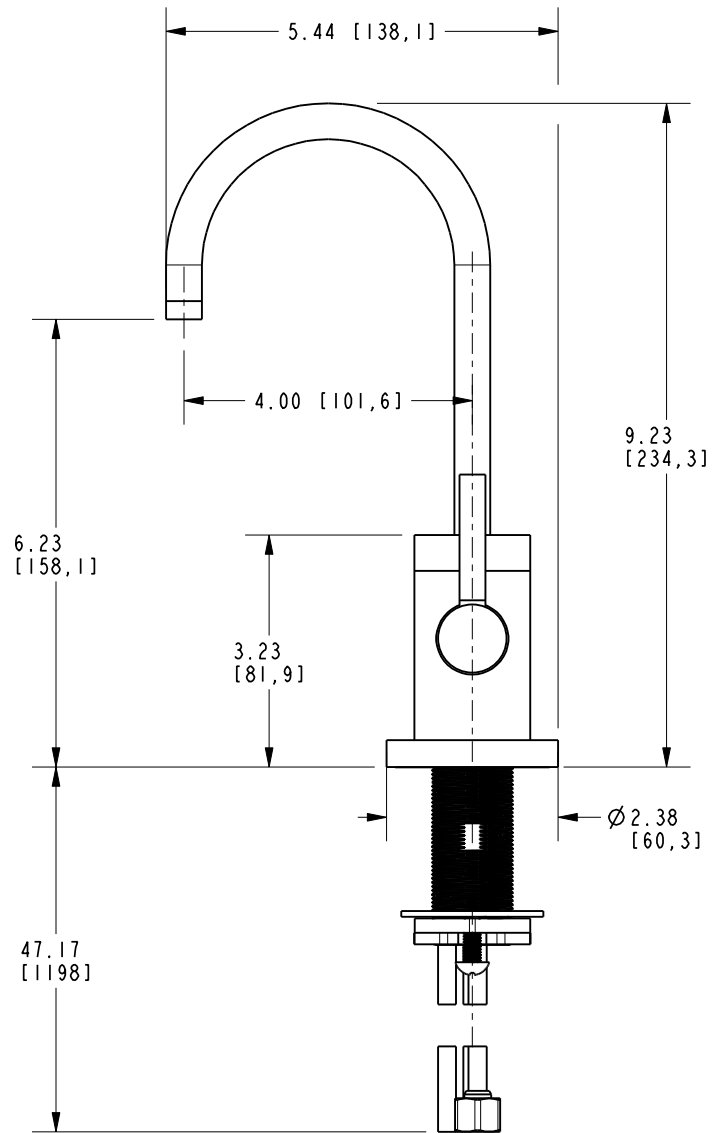
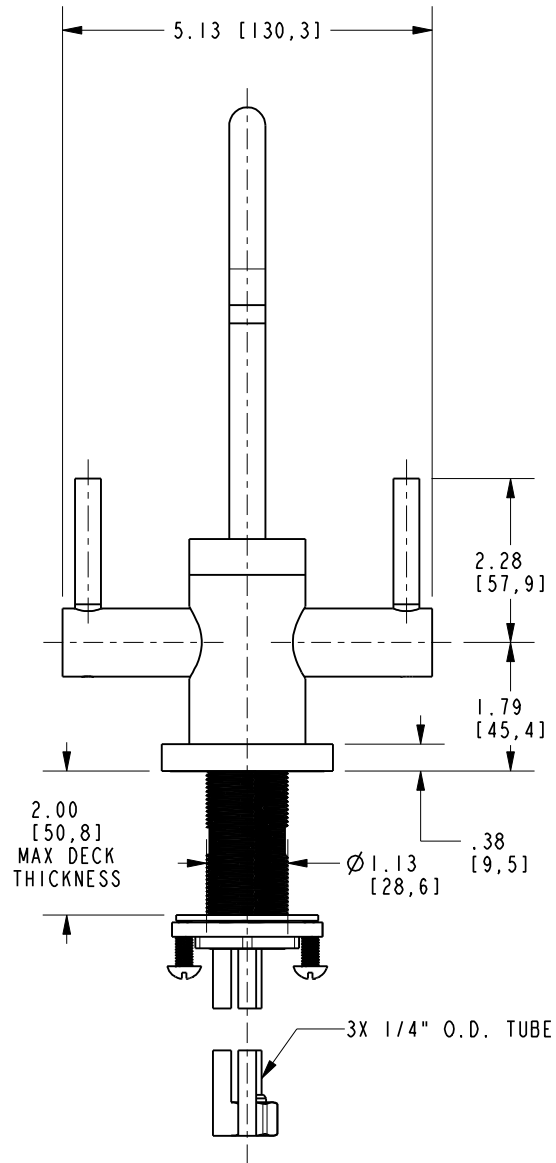
DRAWN	JINSON	07/22/21
CHECKED	R.S.	07/22/21
APPROVED	R.S.	07/22/21

BRASSTECH 2001 CARNEGIE AVE.
INCORPORATED SANTA ANA, CA 92705
(949) 417-5207

H & C WATER DISP COMP

DWG NO.	106	REV	T
SCALE	.325	REF.	-
SHEET	1	OF	3





BRASSTECH		2001 E. CARNEGIE AVE. SANTA ANA, CA 92705 (949) 417-5207	
DWG NO.	106	REV	T
SCALE	.375	REF.	-
SHEET 3		OF 3	