

4

3

2

1

NOTES:

1 APPLY 3M DP-100 NS EPOXY OR EQUIVALENT.

BILL OF MATERIAL (CURRENT LEVEL)

ITEM	PT/ASSY	DESCRIPTION	TYPE	QTY.
1	5-028	AIR CYLINDER ASM	ASSEMBLY	1
2	50645	BEZEL	PART	1
3	50647	BEZEL BASE	PART	1
4	50646	BUTTON BASE	PART	1
5	50644	CAP - AIR SWITCH	PART	1
6	50648	ELECTRIC PLUG SWITCH	PART	1
7	91321	TUBING - PVC BLK (6ft)	PART	6'

D

D

C

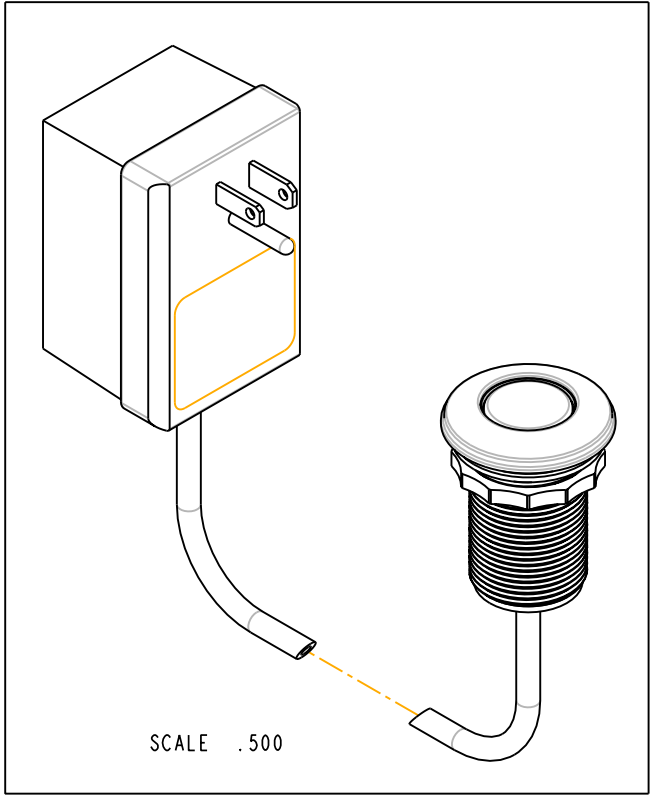
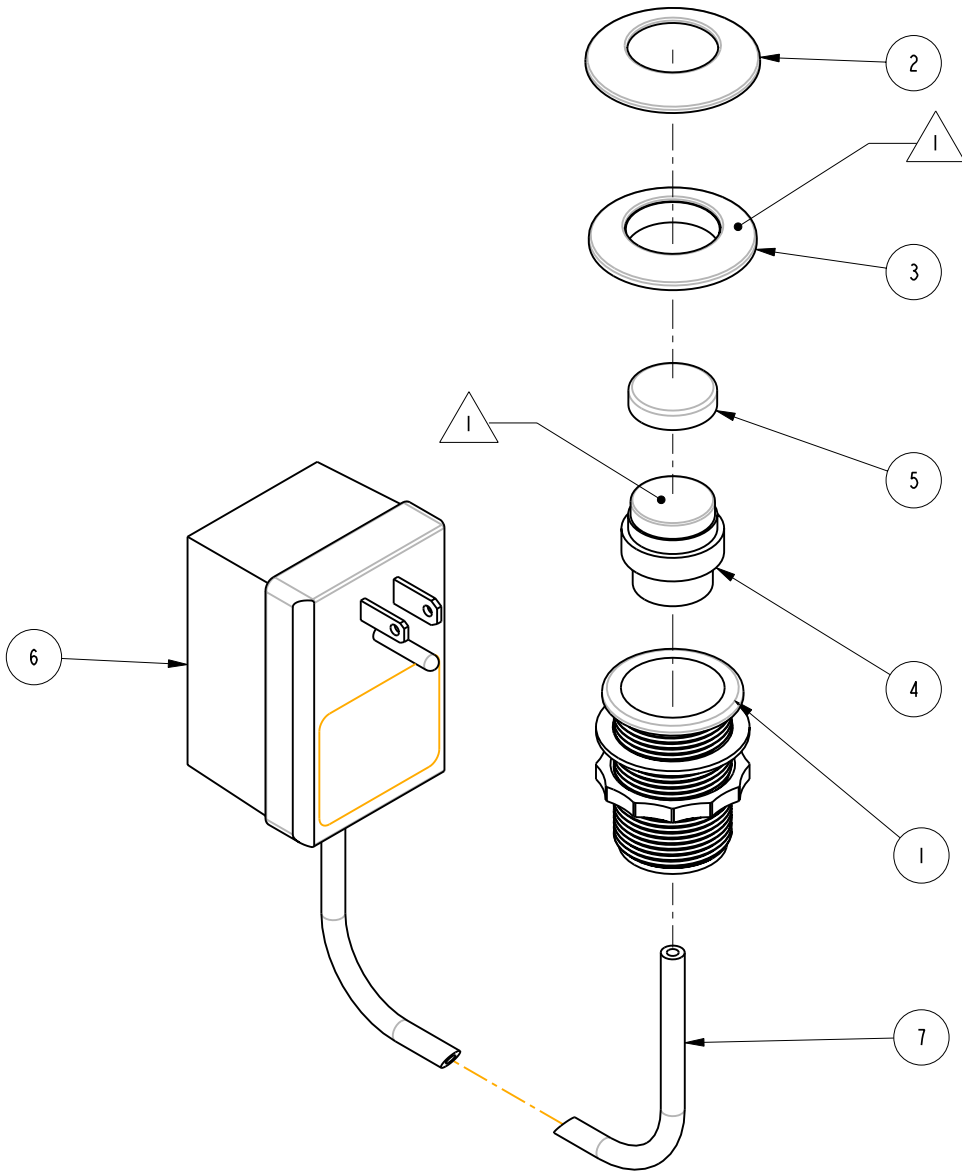
C

B

B

A

A



COPYRIGHT 2005 BRASSTECH, INC. THESE DRAWINGS AND THE DESIGNS DEPICTED HEREIN ARE THE PROPRIETARY PROPERTY OF BRASSTECH. ANY USE OR REPRODUCTION IS SUBJECT TO THE EXPRESS APPROVAL OF BRASSTECH. UNAUTHORIZED USE IS STRICTLY PROHIBITED. ALL RIGHTS RESERVED.

**BRASSTECH**  
 INCORPORATED  
 2001 E. CARNEGIE AVE.  
 SANTA ANA, CA 92705  
 (949) 417-5207

AIR ACTV ELECTRIC SWITCH

ASSY. NO.		111			
SCALE .500	REF. -	SHEET 1 OF 2	REV	REV DESC	DATE
				RELEASED	02/11/03

4

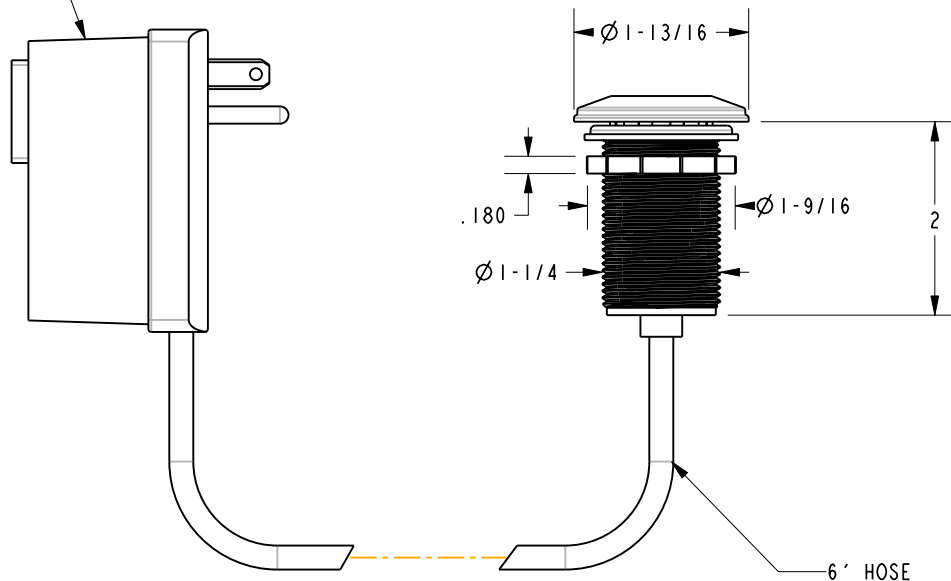
3

2

1

**SPECIFICATION DWG**

120 VAC - 15 AMP UL LISTED.  
INDOOR APPLICATION ONLY



DIMENSIONS ARE IN INCHES AND AN APPROXIMATION OF A TYPICAL INSTALLATION

COPYRIGHT 2005 BRASSTECH, INC. THESE DRAWINGS AND THE DESIGNS DEPICTED HEREIN ARE THE PROPRIETARY PROPERTY OF BRASSTECH. ANY USE OR REPRODUCTION IS SUBJECT TO THE EXPRESS APPROVAL OF BRASSTECH. UNAUTHORIZED USE IS STRICTLY PROHIBITED. ALL RIGHTS RESERVED.

<b>BRASSTECH</b>		2001 E. CARNEGIE AVE.	
INCORPORATED		SANTA ANA, CA 92705	
		(949) 417-5207	
DWG NO.	111	REV	-
SCALE	.500	REF.	-
		SHEET	2 OF 2