



JM  
04/24/2018

15

B

A

4

3

2

1

D

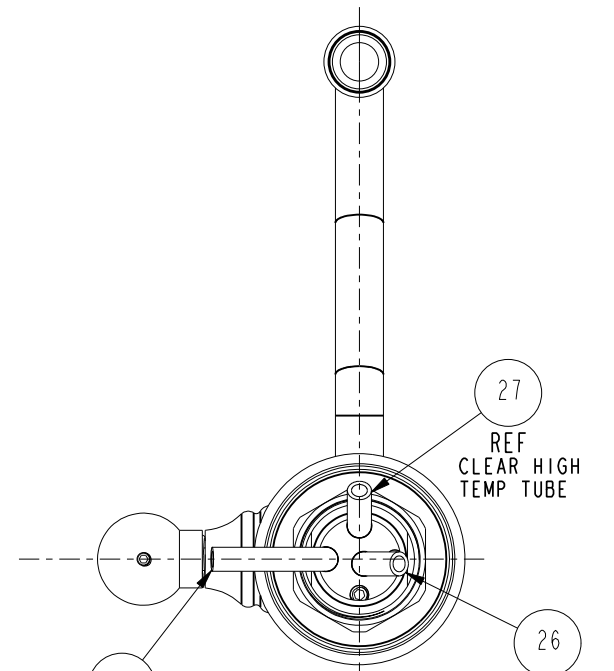
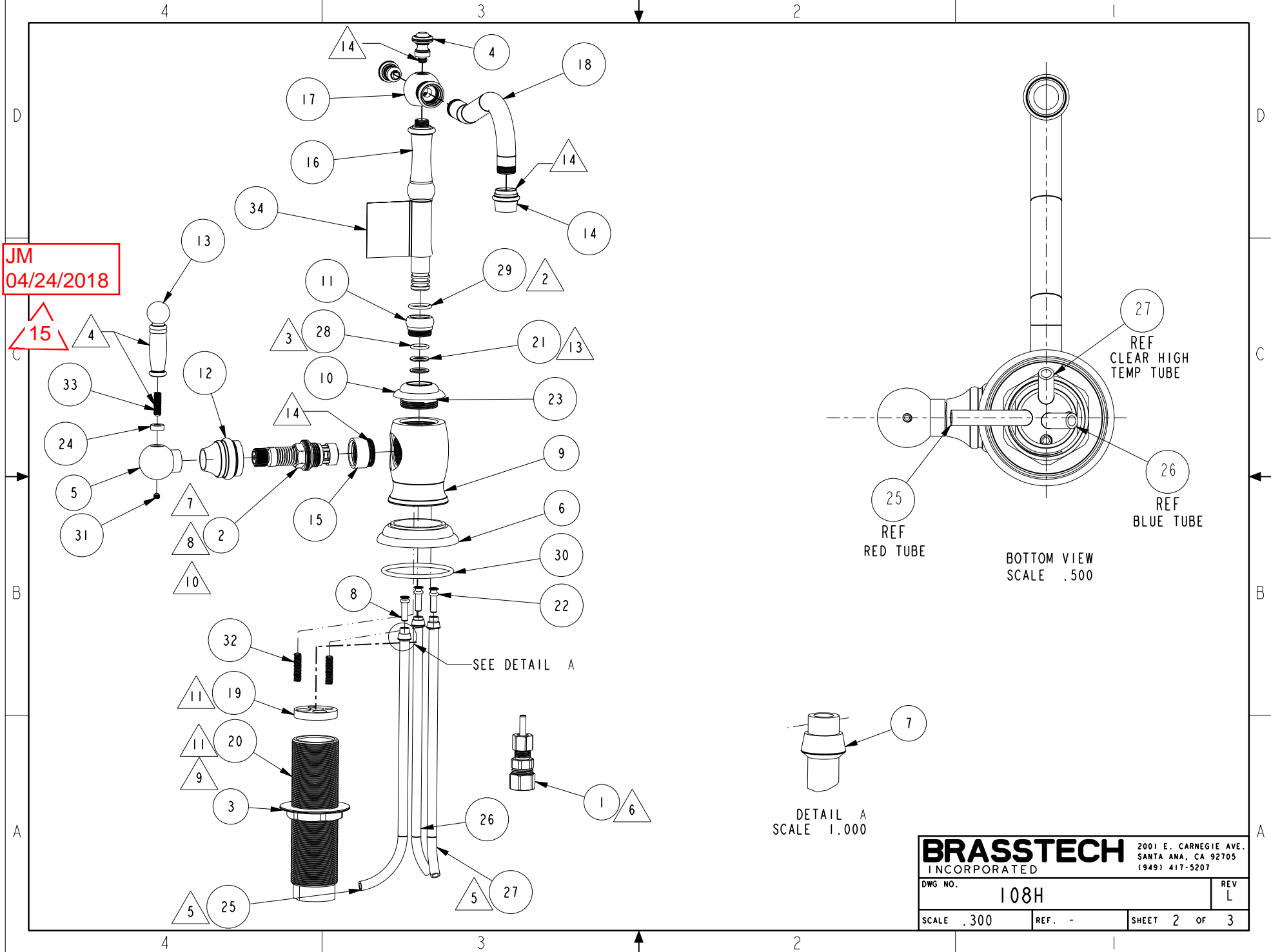
D

C

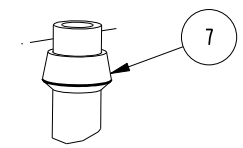
C

B

A

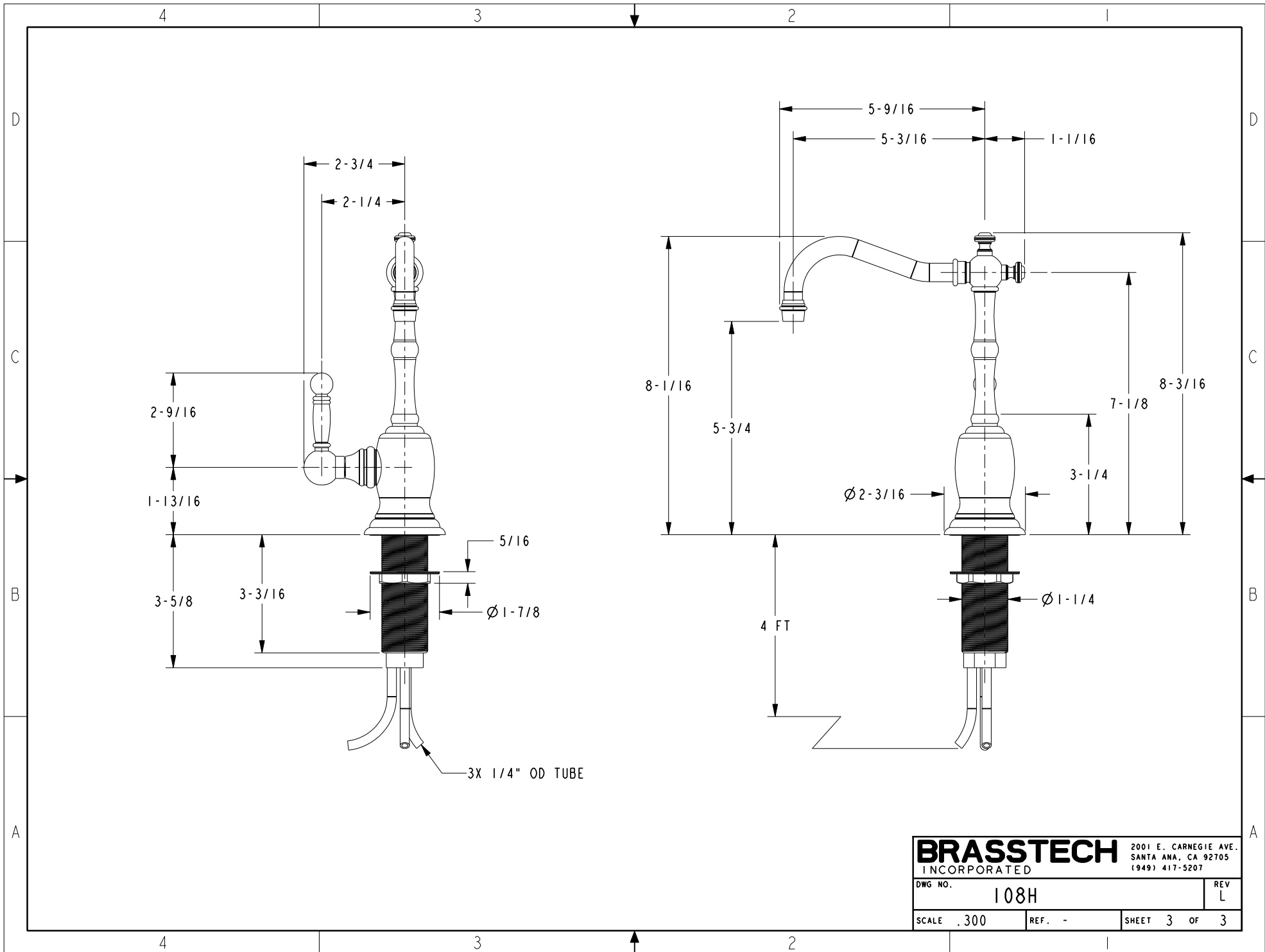


BOTTOM VIEW  
SCALE .500



DETAIL A  
SCALE 1.000

<b>BRASSTECH</b> INCORPORATED		2001 E. CARNEGIE AVE. SANTA ANA, CA 92705 (949) 417-5207	
DWG NO.	108H	REV	L
SCALE .300	REF. -	SHEET 2 OF 3	



<b>BRASSTECH</b>		2001 E. CARNEGIE AVE.	
INCORPORATED		SANTA ANA, CA 92705	
DWG NO. 108H		REV L	
SCALE .300	REF. -	SHEET 3 OF 3	