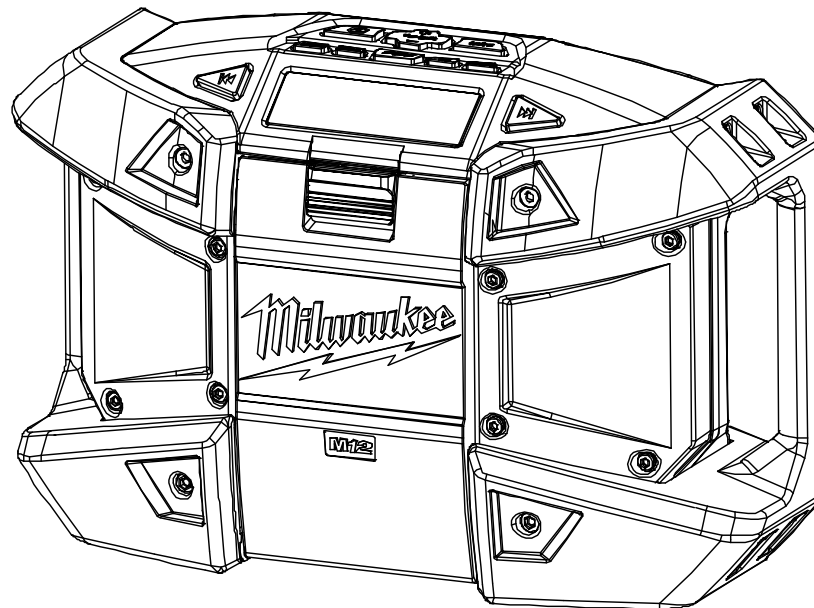




OPERATOR'S MANUAL  
MANUEL de L'UTILISATEUR  
MANUAL del OPERADOR

Cat. No.  
No de Cat.  
2590-20



**M12™ JOBSITE RADIO**  
**RADIO M12™**  
**RADIO DE M12™**

*TO REDUCE THE RISK OF INJURY, USER MUST READ AND UNDERSTAND OPERATOR'S MANUAL.*

*AFIN DE RÉDUIRE LE RISQUE DE BLESSURES, L'UTILISATEUR DOIT LIRE ET BIEN COMPRENDRE LE MANUEL DE L'UTILISATEUR.*

*PARA REDUCIR EL RIESGO DE LESIONES, EL USUARIO DEBE LEER Y ENTENDER EL MANUAL DEL OPERADOR.*

## IMPORTANT SAFETY INSTRUCTIONS



### **WARNING READ, UNDERSTAND AND FOLLOW ALL INSTRUCTIONS.**

Failure to heed all warnings listed below, may result in electric shock, fire and/or serious personal injury. **KEEP THESE INSTRUCTIONS.**

- Read these instructions.**
- Keep these instructions.**
- Heed all warnings.**
- Follow all instructions.**
- Do not use this apparatus near water.** Never immerse the apparatus in liquid or allow a liquid to flow inside the apparatus. Water entering an apparatus will increase the risk for electric shock.
- Clean only with dry cloth.** Certain cleaning agents and solvents are harmful to plastics and other insulated parts. Some of these include: gasoline, turpentine, lacquer thinner, paint thinner, chlorinated cleaning solvents, ammonia and household detergents containing ammonia. Clean dust and debris from vents. Keep the apparatus handle clean, dry and free of oil or grease.
- Do not block any ventilation openings.** Install in accordance with the manufacturer's instructions.
- Do not install near any heat sources** such as radiators, heat registers, stoves, or other apparatus (including amplifiers) that produce heat.
- Do not defeat the safety purpose of the polarized or grounding-type plug.** A polarized plug has two blades with one wider than the other. A grounding type plug has two blades and a third grounding prong. The wide blade or the third prong are provided for your safety. If the provided plug does not fit into your outlet, consult an electrician for replacement of the obsolete outlet.
- Protect the power cord from being walked on or pinched** particularly at plugs, convenience receptacles, and the point where they exit from the apparatus. Do not abuse the cord. Never use the cord to carry the radio or pull the plug from an outlet. Keep cord away from heat, oil, sharp edges or moving parts. Replace damaged cords immediately. Damaged cords increase the risk of electric shock and may create a fire.
- Use only attachments/accessories specified by the manufacturer.**
- Unplug this apparatus during lightning storms or when unused for long periods. Remove power supply from outlet when not in use.**
- Only plug power supply into readily accessible outlet to allow the appliance to be unplugged quickly.**
- Only operate this apparatus in a well ventilated area.**
- Refer all servicing to qualified service personnel.** Servicing is required when the radio has been damaged in any way, such as power-supply cord or plug is damaged, liquid has been spilled or objects have fallen into the radio, the radio has been exposed to rain or moisture or does not operate normally. Service or maintenance performed by unqualified personnel could result in a risk of injury.
- A battery operated radio with integral batteries or a separate battery pack must be recharged only with the specified charger for the battery.** A charger that may be suitable for one type of battery

may create a risk of fire when used with another battery.

- Use battery operated radio only with specifically designated battery packs.** Use of any other batteries may create a risk of fire.
- When battery pack is not in use, keep it away from other metal objects like: paper clips, coins, keys, nails, screws, or other small metal objects that can make a connection from one terminal to another.** Shorting the battery terminals together may cause sparks, burns, or a fire.
- Avoid body contact with grounded surfaces such as pipes, radiators, ranges and refrigerators.** There is an increased risk of electric shock if your body is grounded.
- Do not use any adaptor plugs.**
- When operating a radio outside, use an outdoor extension cord marked "W-A" or "W".** These cords are rated for outdoor use and reduce the risk of electric shock.
- Never disassemble the radio or try to do any rewiring on the radio's electrical system.**
- Do not expose this apparatus to dripping and splashing, or place objects filled with liquids on this unit.**

### SPECIFIC SAFETY RULES

- Maintain labels and nameplates.** These carry important information. If unreadable or missing, contact a *MILWAUKEE* service facility for a free replacement.
- This radio is designed to be powered by the Milwaukee 12 volt AC/DC power supply Cat. No. 23-81-0700, or a 12 volt MILWAUKEE Li-ion battery pack.** Do not attempt to use with any other voltage or power supply.

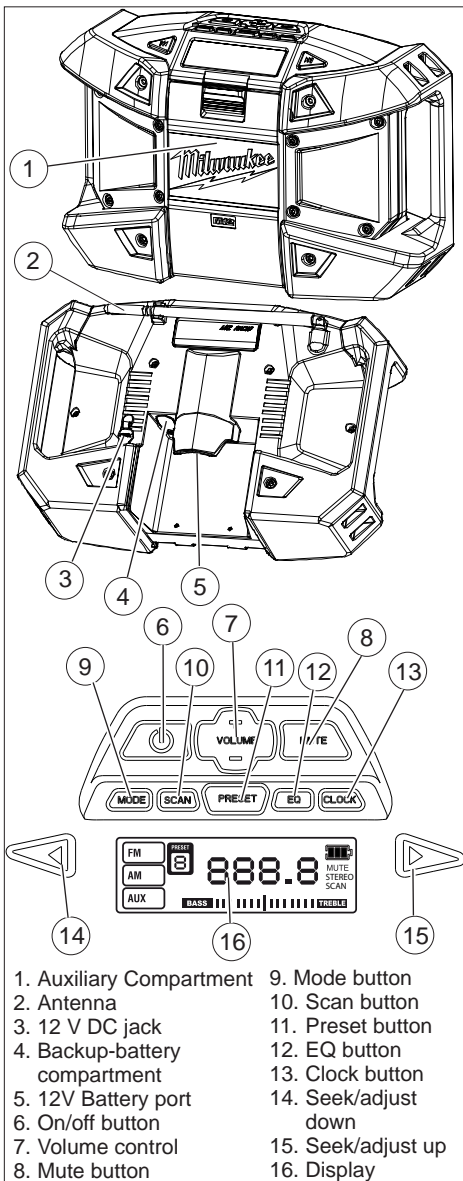


**Federal Communications Commission**

- WARNING:** Changes or modifications to this unit not expressly approved by the party responsible for compliance could void the user's authority to operate the equipment. This equipment has been tested and found to comply with the limits for a Class B digital device, pursuant to Part 15 of the FCC Rules. These limits are designed to provide reasonable protection against harmful interference in a residential installation. This equipment generates, uses and can radiate radio frequency energy and, if not installed and used in accordance with the instructions, may cause harmful interference to radio communications. However, there is no guarantee that interference will not occur in a particular installation. If this equipment does cause harmful interference to radio or television reception, which can be determined by turning the equipment off and on, the user is encouraged to try to correct the interference by one or more of the following measures:
- Reorient or relocate the receiving antenna.

- Increase the separation between the equipment and receiver.
- Connect the equipment into an outlet on a circuit different from that to which the receiver is connected.
- Consult the dealer or an experienced radio/TV technician for help.

## FUNCTIONAL DESCRIPTION



SYMBOLGY	
	To reduce the risk of injury, user must read operator's manual.
	Volts Direct Current
	Milliamps
	Underwriters Laboratories, Inc., United States and Canada
	Federal Communications Commission

## SPECIFICATIONS

Cat. No.	DC Volts	DC Amps
2590-20	13.5	1.2

## GROUNDING

### Double Insulated Radios: Radios with Two Prong Plugs

Radios marked "Double Insulated" do not require grounding. They have a special double insulation system which satisfies OSHA requirements and complies with the applicable standards of Underwriters Laboratories, Inc., the Canadian Standard Association and the National Electrical Code. Double Insulated radios may be used in either of the 120 volt outlets shown in Figures A and B.

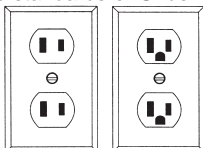


Fig. A Fig. B

## EXTENSION CORDS

Double insulated tools can use either a two or three wire extension cord. As the distance from the supply outlet increases, you must use a heavier gauge extension cord. Using extension cords with inadequately sized wire causes a serious drop in voltage, resulting in loss of power and possible tool damage. Refer to the table shown to determine the required minimum wire size.

The smaller the gauge number of the wire, the greater the capacity of the cord. For example, a 14 gauge cord can carry a higher current than a 16 gauge cord. When using more than one extension cord to make up the total length, be sure each cord contains at least the minimum wire size required. If you are using one extension cord for more than one tool, add the nameplate amperes and use the sum to determine the required minimum wire size.

### Guidelines for Using Extension Cords

- If you are using an extension cord outdoors, be sure it is marked with the suffix "W-A" ("W" in Canada) to indicate that it is acceptable for outdoor use.
- Be sure your extension cord is properly wired and in good electrical condition. Always replace a damaged extension cord or have it repaired by a qualified person before using it.
- Protect your extension cords from sharp objects, excessive heat and damp or wet areas.

- Unplug all cords during lightning storms or when unused for long periods of time.

### Recommended Min. Wire Gauge for Extension Cords\*

Nameplate Amperes	Extension Cord Length				
	25'	50'	75'	100'	150'
0 - 2.0	18	18	18	18	16
2.1 - 3.4	18	18	18	16	14
3.5 - 5.0	18	18	16	14	12
5.1 - 7.0	18	16	14	12	12
7.1 - 12.0	16	14	12	10	
12.1 - 16.0	14	12	10		
16.1 - 20.0	12	10			

\* Based on limiting the line voltage drop to five volts at 150% of the rated amperes.

## ASSEMBLY

**WARNING** Recharge only with the charger specified for the battery. For specific charging instructions, read the operator's manual supplied with your charger and battery.

### Inserting/Removing Battery Pack

**Insert** the battery pack by sliding it into the battery bay on the back of the radio. Insert the battery pack until clicks in place. To **remove** the battery pack, press in both battery latches and slide the battery pack out.



### Fuel Gauge

The fuel gauge is displayed in the upper right corner of the display.

	Full Battery Life		1/3 Battery Life
	2/3 Battery Life		Charge Battery

### Battery Pack Protection

To protect the life of the battery pack, the radio will shut off when the battery's charge becomes too low. If this happens, remove the battery pack and charge it according to the charger's instructions.

### Installing an Auxiliary Device

Open the Auxiliary Compartment to connect an MP3 player, CD player, or other audio device using the stereo auxiliary jack. Small devices (less than 2 1/4" wide, 4 1/2" high, and 3/4" thick) can be stored in the compartment during use.



### Using the AC/DC Power Supply

Only use Milwaukee 12 volt AC/DC power supply Cat. No. 23-81-0700. Insert the power supply into the 12V DC jack on the back of the radio. Plug the adaptor into a suitable wall outlet.

**WARNING** Batteries may leak chemicals or may explode if used incorrectly. The following care should be taken to prevent such an incident:

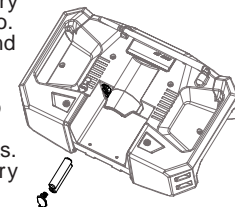
- Make sure the positive (+) and negative (-) battery terminals are positioned correctly.
- Do not mix new and old batteries together, or mix different types of batteries.
- Do not try to recharge non-rechargeable batteries.

If chemicals from the batteries come in contact with your skin, wash them off immediately with water. If chemicals leak onto the radio, clean the radio completely.

### Changing Back-up Batteries

To hold station presets and clock time when the 12V battery pack is removed and the radio is unplugged, 2 AAA batteries are required.

1. Remove 12V battery pack and unplug radio.
2. Remove the screw and battery cover.
3. Insert two (2) AAA batteries according to matching positive (+) and negative (-) marks.
4. Replace the battery cover and screw.



## OPERATION

**WARNING** Always remove battery pack before changing or removing accessories. Only use accessories specifically recommended for this radio. Others may be hazardous.

**WARNING** To reduce the risk of fire or electric shock, do not expose this radio to rain or moisture.

### Turning On/Off

Press the Power button to turn the radio on and off. The radio station (frequency) is displayed. To display the time, press the CLOCK button.

### Volume

Use the **+** to increase or decrease the volume. To instantly silent the radio, press the MUTE button. To return to the set volume, press the MUTE button again.

### Setting the Clock

1. Press and hold the CLOCK button until the hour begins to flash.
2. Use the **◀▶** buttons to change the hour.
3. Press the CLOCK button again. Use the **◀▶** to change the minutes.
4. Press the CLOCK button again to save.

### EQ Adjustment

To manually adjust the Bass/Treble sound, press the EQ button. Set the bass sound using the **◀▶** buttons. Press the EQ button again to set the treble sound, using the **◀▶** buttons.

### Selecting Band

Push the MODE button to select AM, FM, or AUX.

### Tuning (Seeking and Scanning)

Press and hold the **◀▶** buttons to SEEK through the band. When a station is found, the SEEK will stop. Use the SCAN button to continue through the stations, pausing at each.

### PRESET Stations

To set the PRESET stations:

1. Tune to desired station.
2. Press and hold the PRESET button until the PRESET indicator on the display begins to flash.
3. Use the **◀▶** buttons to select the PRESET location for the station. Ten locations (0-9) are available.
4. Press the PRESET button to save the location. To tune to a PRESET station: Press and release the PRESET button to step through the PRESET stations.

### Using the Stereo AUX Jack

1. Open the Auxiliary Compartment
2. Plug the auxiliary device into the Stereo AUX jack.
3. Use the MODE button to select AUX.
4. Start the auxiliary device.

## MAINTENANCE

**WARNING** To reduce the risk of injury, always unplug the charger and remove the battery pack from the charger or tool before performing any maintenance. Never disassemble the tool, battery pack or charger. Contact a MILWAUKEE service facility for ALL repairs.

### Maintaining Tool

Keep your tool, battery pack and charger in good repair by adopting a regular maintenance program. If the tool does not start or operate at full power with a fully charged battery pack, clean the contacts on the battery pack. If the tool still does not work properly, return the tool, charger and battery pack, to a MILWAUKEE service facility for repairs.

**WARNING** To reduce the risk of personal injury and damage, never immerse your tool, battery pack or charger in liquid or allow a liquid to flow inside them.

### Cleaning

Clean dust and debris from charger and tool vents. Keep tool handles clean, dry and free of oil or grease. Use only mild soap and a damp cloth to clean the tool, battery pack and charger since certain cleaning agents and solvents are harmful to plastics and other insulated parts. Some of these include gasoline, turpentine, lacquer thinner, paint thinner, chlorinated cleaning solvents, ammonia and household detergents containing ammonia. Never use flammable or combustible solvents around tools.

### Repairs

For repairs, return the tool, battery pack and charger to the nearest service center listed on the back cover of this operator's manual.

## ACCESSORIES

**WARNING** Always remove battery pack before changing or removing accessories. Only use accessories specifically recommended for this tool. Others may be hazardous.

For a complete listing of accessories refer to your MILWAUKEE Electric Tool catalog or go online to [www.milwaukeetool.com](http://www.milwaukeetool.com). To obtain a catalog, contact your local distributor or a service center.

## LIMITED WARRANTY - USA AND CANADA

Every MILWAUKEE power tool (including cordless product – tool, battery pack(s) - see separate & distinct CORDLESS BATTERY PACK LIMITED WARRANTY statements & battery charger and Work Lights\*) is warranted to the original purchaser only to be free from defects in material and workmanship. Subject to certain exceptions, MILWAUKEE will repair or replace any part on an electric power tool which, after examination, is determined by MILWAUKEE to be defective in material or workmanship for a period of five (5) years\* after the date of purchase unless otherwise noted. Return of the power tool to a MILWAUKEE factory Service Center location or MILWAUKEE Authorized Service Station, freight prepaid and insured, is required. A copy of the proof of purchase should be included with the return product. This warranty does not apply to damage that MILWAUKEE determines to be from repairs made or attempted by anyone other than MILWAUKEE authorized personnel, misuse, alterations, abuse, normal wear and tear, lack of maintenance, or accidents.

\*The warranty period for, Job Site Radios, M12™ Power Port and Trade Titan™ Industrial Work Carts is one (1) year from the date of purchase. The warranty period for a LED Work Light and LED Upgrade Bulb is a limited LIFETIME warranty to the original purchaser only, if during normal use the LED bulb fails the Work Light or Upgrade Bulb will be replaced free of charge.

\*This warranty does not cover Air Nailers & Stapler, Airless Paint Sprayer, Cordless Battery Packs, Gasoline Driven Portable Power Generators, Hand Tools, Hoist – Electric, Lever & Hand Chain, M12™ Heated Jackets, Reconditioned product and Test & Measurement products. There are separate and distinct warranties available for these products.

Warranty Registration is not necessary to obtain the applicable warranty on a MILWAUKEE power tool product. The manufacturing date of the product will be used to determine the warranty period if no proof of purchase is provided at the time warranty service is requested.

ACCEPTANCE OF THE EXCLUSIVE REPAIR AND REPLACEMENT REMEDIES DESCRIBED HEREIN IS A CONDITION OF THE CONTRACT FOR THE PURCHASE OF EVERY MILWAUKEE PRODUCT. IF YOU DO NOT AGREE TO THIS CONDITION, YOU SHOULD NOT PURCHASE THE PRODUCT. IN NO EVENT SHALL MILWAUKEE BE LIABLE FOR ANY INCIDENTAL, SPECIAL, CONSEQUENTIAL OR PUNITIVE DAMAGES, OR FOR ANY COSTS, ATTORNEY FEES, EXPENSES, LOSSES OR DELAYS ALLEGED TO BE AS A CONSEQUENCE OF ANY DAMAGE TO, FAILURE OF, OR DEFECT IN ANY PRODUCT INCLUDING, BUT NOT LIMITED TO, ANY CLAIMS FOR LOSS OF PROFITS. SOME STATES DO NOT ALLOW THE EXCLUSION OR LIMITATION OF INCIDENTAL OR CONSEQUENTIAL DAMAGES, SO THE ABOVE LIMITATION OR EXCLUSION MAY NOT APPLY TO YOU. THIS WARRANTY IS EXCLUSIVE AND IN LIEU OF ALL OTHER EXPRESS WARRANTIES, WRITTEN OR ORAL. TO THE EXTENT PERMITTED BY LAW, MILWAUKEE DISCLAIMS ANY IMPLIED WARRANTIES, INCLUDING WITHOUT LIMITATION ANY IMPLIED WARRANTY OF MERCHANTABILITY OR FITNESS FOR A PARTICULAR USE OR PURPOSE; TO THE EXTENT SUCH DISCLAIMER IS NOT PERMITTED BY LAW, SUCH IMPLIED WARRANTIES ARE LIMITED TO THE DURATION OF THE APPLICABLE EXPRESS WARRANTY AS DESCRIBED ABOVE. SOME STATES DO NOT ALLOW LIMITATIONS ON HOW LONG AN IMPLIED WARRANTY LASTS, SO THE ABOVE LIMITATION MAY NOT APPLY TO YOU, THIS WARRANTY GIVES YOU SPECIFIC LEGAL RIGHTS, AND YOU MAY ALSO HAVE OTHER RIGHTS WHICH VARY FROM STATE TO STATE.

This warranty applies to product sold in the U.S.A. and Canada only.

Please consult the 'Service Center Search' in the Parts & Service section of MILWAUKEE's website [www.milwaukeetool.com](http://www.milwaukeetool.com) or call 1.800.SAWDUST (1.800.729.3878) to locate your nearest MILWAUKEE factory Service Center location.

## LIMITED WARRANTY - MEXICO, CENTRAL AMERICA AND CARIBBEAN

TECHTRONIC INDUSTRIES' warranty is for 5 year since the original purchase date.

This warranty card covers any defect in material and workmanship on this Power Tool.

To make this warranty valid, present this warranty card, sealed/stamped by the distributor or store where you purchased the product, to the Authorized Service Center (ASC). Or, if this card has not been sealed/stamped, present the original proof of purchase to the ASC.

Call toll-free 1 800 832 1949 to find the nearest ASC, for service, parts, accessories or components.

### Procedure to make this warranty valid

Take the product to the ASC, along with the warranty card sealed/stamped by the distributor or store where you purchased the product, and there any faulty piece or component will be replaced without cost for you. We will cover all freight costs relative with this warranty process.

### Exceptions

This warranty is not valid in the following situations:

- a) When the product is used in a different manners from the end-user guide or instruction manual.
- b) When the conditions of use are not normal.

c) When the product was modified or repaired by people not authorized by TECHTRONIC INDUSTRIES.

Note: If cord set is damaged, it should be replaced by an Authorized Service Center to avoid electric risks.

Model: \_\_\_\_\_

Date of Purchase: \_\_\_\_\_

Distributor or Store Stamp:

SERVICE AND ATTENTION CENTER  
Rafael Buelna No.1.  
Col. Tezozomoc Mexico, Azcapotzalco D.F.  
Ph. 01 800 832 1949

IMPORTED AND COMMERCIALIZED BY:  
TECHTRONIC INDUSTRIES MEXICO, S.A. DE C.V.  
Av. Santa Fe 481 piso 6, Col. Curz Manca.  
CP 05349, Cuajimalpa, D.F.

## CONSIGNES DE SÉCURITÉ IMPORTANTES

**AVERTISSEMENT VOUS DEVEZ LIRE, COMPRENDRE ET SUIVRE TOUTES LES INSTRUCTIONS.** Le non-respect de tous les avertissements figurant dans la liste ci-dessous entraîne un risque de choc électrique, d'incendie et/ou de blessures graves. **CONSERVEZ CES INSTRUCTIONS.**

- Lisez ces instructions.
- Conservez ces instructions.
- Tenez compte de tous les avertissements.
- Suivez toutes les instructions.
- N'utilisez pas cet appareil près d'une pièce d'eau. Ne plongez jamais l'appareil dans un liquide et empêchez du liquide de circuler à l'intérieur de l'appareil. La pénétration d'eau dans l'appareil augmente le risque de choc électrique.
- Ne nettoyez l'appareil qu'avec un chiffon sec. Certains nettoyants et solvants détériorent le plastique et l'isolation des pièces. Ces nettoyants incluent par exemple l'essence, la térébenthine, les diluants à laque ou à peinture, les solvants chlorés, l'ammoniaque et les détergents d'usage domestique qui en contiennent. Débarrassez les ouïes des débris et de la poussière. Gardez les poignées de l'appareil propres, à sec et exemptes d'huile ou de graisse.
- Ne bloquez pas les ouïes d'aération. Installez l'appareil conformément aux consignes du fabricant.
- N'installez pas l'appareil près de sources de chaleur telles que radiateurs, bouches de chaudières, poêles ni d'autres appareils (y compris les amplificateurs) qui produisent de la chaleur.
- Ne neutralisez pas la fonction de sécurité de la fiche polarisée ou du type mise à la terre. Une fiche polarisée a deux broches, dont l'une est plus large que l'autre. Une fiche du type à mise à la terre a elle aussi deux broches, plus une de mise à la terre. La broche la plus large et la troisième ont pour but d'assurer votre sécurité. Si la fiche fournie ne se branche pas dans votre prise, demandez à un électricien de remplacer la prise démodée.
- Protégez le cordon d'alimentation pour que personne ne marche dessus ou ne le pince, en particulier au niveau des fiches, des prises de courant et des points où il sort de l'appareil. Ne maltraitez pas le cordon. Ne transportez pas la radio par son cordon et ne débranchez pas la fiche en tirant sur le cordon. N'exposez pas le cordon à la chaleur, à des huiles, à des arêtes vives ou à des pièces en mouvement. Remplacez immédiatement un cordon endommagé. Les cordons endommagés augmentent le risque de choc électrique et peuvent causer un incendie.
- N'utilisez que les raccords ou les accessoires spécifiés par le fabricant.
- Débranchez cet appareil pendant les orages avec éclairs ou en cas d'inutilisation prolongée. Débranchez l'alimentation de la prise lorsque l'outil n'est pas utilisé.
- Branchez l'alimentation uniquement dans une prise facilement accessible afin de pouvoir débrancher rapidement l'appareil.
- Utilisez uniquement cet appareil dans un lieu bien ventilé.

- Faites effectuer toutes les réparations par du personnel d'entretien qualifié. Il est nécessaire de faire réparer la radio lorsqu'elle a subi des dommages quelconques; si, par exemple, le cordon d'alimentation ou la fiche est endommagé, si du liquide a été renversé ou si des objets sont tombés dans la radio, si celle-ci a été exposée à la pluie ou à l'humidité ou si elle ne fonctionne pas normalement. L'entretien ou la réparation d'un outil électrique par un amateur peut avoir des conséquences graves.
- Une radio alimentée par batterie intégrée ou par bloc-batteries séparé ne doit être rechargée qu'à l'aide du chargeur spécifié pour la batterie. Un chargeur adapté à un certain type de batterie peut créer un risque d'incendie s'il est utilisé avec d'autres batteries.
- N'utilisez une radio alimentée par batterie qu'avec les blocs de piles spécifiés. L'utilisation de toute autre batterie peut créer un risque d'incendie.
- Lorsque le bloc-batterie n'est pas en service, maintenez-le à l'écart d'autres objets métalliques tels que trombones, pièces de monnaie, clés, clous, vis ou autres petits objets métalliques pouvant connecter une borne à l'autre. La mise en court-circuit des bornes d'une batterie peut entraîner des étincelles, des brûlures ou un feu.
- Évitez tout contact corporel avec des surfaces mises à la terre telles que la tuyauterie, les radiateurs, les cuisinières, les réfrigérateurs. Le risque de choc électrique est plus grand si votre corps est en contact avec la terre.
- N'utilisez pas d'adaptateur de fiche.
- Lorsque vous utilisez une radio à l'extérieur, employez un cordon prolongateur pour l'extérieur marqué « W-A » ou « W ». Ces cordons sont fabriqués pour être utilisés à l'extérieur et réduisent le risque de choc électrique.
- Ne faites pas vous-même le démontage de la radio ni le rebobinage du système électrique.
- N'exposez pas cet appareil à l'égouttement ou aux éclaboussures, ou ne placez pas dessus des objets contenant des liquides.

## RÈGLES DE SÉCURITÉ PARTICULIÈRE

- Entretenez les étiquettes et plaques signalétiques. Les indications qu'elles contiennent sont précieuses. Si elles deviennent illisibles ou se détachent, faites-les remplacer gratuitement à un centre de service MILWAUKEE accrédité.
- Cette radio fonctionne avec une alimentation en courant universelle de 12 V MILWAUKEE, n° de cat. 23-81-0700, ou un bloc-piles de 12 V MILWAUKEE. Ne pas tenter d'utiliser le produit à une autre tension ou avec un autre type d'alimentation.

- **AVERTISSEMENT:** Les changements ou les modifications apportés à cette unité non expressément approuvés par l'organisme responsable de la conformité peuvent annuler l'autorité de l'utilisateur à utiliser cet équipement. Cet équipement a été testé et déclaré conforme aux limites des dispositifs numériques de classe B, en vertu de la section 15 des réglementations de la FCC. Ces limites ont pour but de fournir une protection raisonnable contre les interférences nuisibles dans le cadre d'une installation résidentielle. Cet équipement génère, utilise et peut émettre de l'énergie de radiofréquence. Il est donc recommandé de l'installer et de l'utiliser conformément aux instructions afin d'éviter toute interférence nuisible aux communications radio. Cependant, il n'existe aucune garantie selon laquelle des interférences ne se produiront pas dans le cas d'une installation spécifique. Si cet appareil provoque des interférences nuisibles pour les réceptions radio et télévisées, ce qui peut être déterminé en l'éteignant puis en le rallumant, il est conseillé d'y remédier en suivant l'une ou plusieurs des mesures suivantes:
  - Réorienter ou repositionner l'antenne réceptrice.
  - Augmenter l'espace entre l'équipement et le récepteur.
  - Brancher l'équipement dans une prise sur un circuit différent de celui sur lequel le récepteur est connecté.
  - Consulter le concessionnaire ou un technicien radio/TV expérimenté pour obtenir de l'aide.

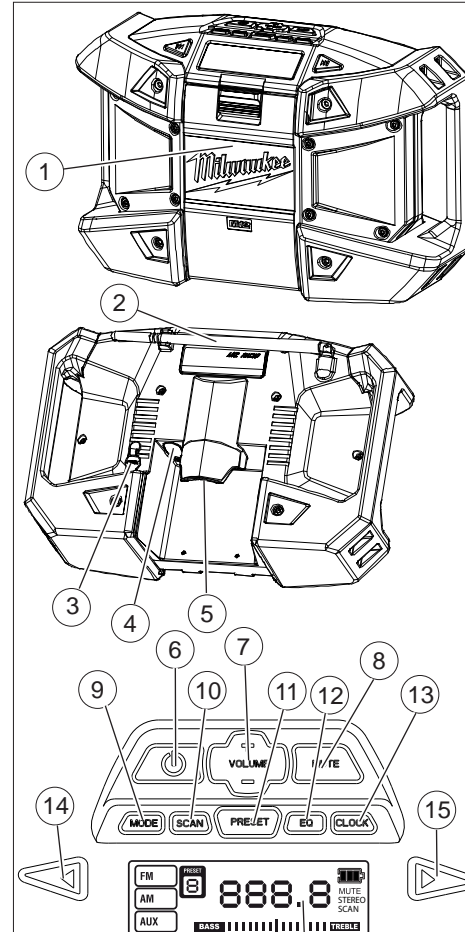
## SPECIFICATIONS

No de Cat.	Volts c.c.	Amps c.c.
2590-20	13,5	1,2

## PICTOGRAPHIE

	Afin de réduire le risque de blessures, l'utilisateur doit lire le manuel de l'utilisateur.
	Volts courant continu
	Milliampères
	Underwriters Laboratories, Inc. États-Unis et Canada
	Federal Communications Commission

## DESCRIPTION FONCTIONNELLE



1. Compartiment auxiliaire
2. Antenne
3. Prise de 12 V c.c.
4. Compartiment des piles de secours
5. Logement des piles de 12 V
6. Bouton « On/Off » (marche/arrêt)
7. Bouton de réglage du volume
8. Bouton « Mute » (Sourdine)
9. Bouton « Mode » (Mode)
10. Bouton « Scan » (Balayage)
11. Bouton « Preset » (Préréglage)
12. Bouton « EQ » (Égalisateur)
13. Bouton « Clock » (Horloge)
14. Bouton Rechercher/régler vers le bas
15. Bouton Rechercher/régler vers le haut
16. Afficheur

## CORDONS DE RALLONGE

Pour les outils à double isolation, on peut employer indifféremment un cordon de rallonge à deux ou trois fils. Plus la longueur du cordon entre l'outil et la prise de courant est grande, plus le calibre du cordon doit être élevé. L'utilisation d'un cordon de rallonge incorrectement calibré entraîne une chute de voltage résultant en une perte de puissance qui risque de détériorer l'outil. Reportez-vous au tableau ci-contre pour déterminer le calibre minimum du cordon.

Moins le calibre du fil est élevé, plus sa conductivité est bonne. Par exemple, un cordon de calibre 14 a une meilleure conductivité qu'un cordon de calibre 16. Lorsque vous utilisez plus d'une rallonge pour couvrir la distance, assurez-vous que chaque cordon possède le calibre minimum requis. Si vous utilisez un seul cordon pour brancher plusieurs outils, additionnez le chiffre d'intensité (ampères) inscrit sur la fiche signalétique de chaque outil pour obtenir le calibre minimal requis pour le cordon.

### Directives pour l'emploi des cordons de rallonge

- Si vous utilisez une rallonge à l'extérieur, assurez-vous qu'elle est marquée des sigles « W-A » (« W » au Canada) indiquant qu'elle est adéquate pour usage extérieur.
- Assurez-vous que le cordon de rallonge est correctement câblé et en bonne condition. Remplacez tout cordon de rallonge détérioré ou faites-le remettre en état par une personne compétente avant de vous en servir.
- Tenez votre cordon de rallonge à l'écart des objets rattachants, des sources de grande chaleur et des endroits humides ou mouillés.
- Débranchez tous les cordons pendant les orages avec éclairs ou en cas d'inutilisation prolongée.

### Calibres minimaux recommandés pour les cordons de rallonge\*

Fiche signalétique Ampères	Longueur du cordon de rallonge (m)					
	7,6	15,2	22,8	30,4	45,7	60,9
0 - 5,0	16	16	16	14	12	12
5,1 - 8,0	16	16	14	12	10	--
8,1 - 12,0	14	14	12	10	--	--
12,1 - 15,0	12	12	10	10	--	--
15,1 - 20,0	10	10	10	--	--	--

\* Basé sur sur une chute de voltage limite de 5 volts à 150% de l'intensité moyenne de courant.

## MISE A LA TERRE

### Radios à double isolation :

**Radios munies de fiches à deux broches.**  
Les radios marquées « Double Insulation » (double isolation) n'ont pas besoin d'être raccordées à la terre. Elles sont pourvues d'une double isolation conforme aux exigences de l'OSHA et satisfont aux normes de l'Underwriters Laboratories, Inc., de l'Association canadienne de normalisation (ACNOR) et du « National Electrical Code » (code national de l'électricité). Les radios à double isolation peuvent être branchées sur n'importe laquelle des prises à 120 volts illustrées ci-contre aux figures A et B.

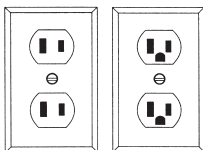


Fig. A

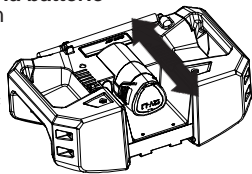
Fig. B

## MONTAGE DE L'OUTIL

**AVERTISSEMENT** Il faut toujours retirer la batterie avant de changer ou d'enlever les accessoires. L'emploi d'accessoires autres que ceux qui sont expressément recommandés pour cet outil peut comporter des risques.

### Insertion et retrait de la batterie

Insérer le bloc-piles en le glissant dans le compartiment des piles situé à l'arrière de la radio. Insérer le bloc piles jusqu'à ce qu'il s'enclenche en place. Pousser les boutons d'ouverture vers l'intérieur et retirer la batterie de l'outil.



### Indicateur de charge de la batterie

L'indicateur de charge de la batterie apparaît dans le coin supérieure droit de l'afficheur lorsque l'outil est en marche.

Charge pleine      1/3 de la charge  
 2/3 de la charge      Charge requise

### Protection du bloc-piles

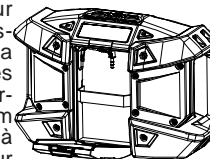
Pour prolonger la durée de vie du bloc-piles, la radio s'éteint lorsque le niveau de charge de ce dernier devient trop faible. Si cela se produit, retirer le bloc-piles et le charger conformément aux instructions du chargeur.

### Utilisation de l'adaptateur universel

Utiliser uniquement une alimentation en courant universelle de 12 V Milwaukee, n° de cat. 23-81-0700. Raccorder l'alimentation en courant à la prise de 12 V c.c. située à l'arrière de la radio. Brancher l'adaptateur dans une prise murale appropriée.

### Installation d'un dispositif auxiliaire

Ouvrir le compartiment auxiliaire pour brancher le lecteur MP3, le lecteur de CD ou tout autre dispositif audio au moyen de la prise auxiliaire stéréo. Les petits dispositifs (dont la largeur est inférieure à 57 mm (2¼"), la hauteur inférieure à 114 mm (4½") et l'épaisseur inférieure à 19 mm (¾")) peuvent être entreposés dans le compartiment pendant l'utilisation.



**AVERTISSEMENT** Les batteries peuvent laisser fuir des produits chimiques ou risquent d'exploser si elles ne sont pas utilisées correctement. Prenez les précautions suivantes pour empêcher un tel incident :

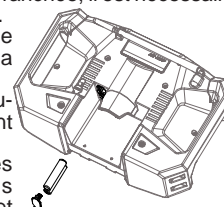
- Assurez-vous que les bornes positive (+) et négative (-) des batteries sont dans la position correcte.
- N'utilisez pas ensemble des batteries usagées et neuves, ni des batteries de types différents.
- N'essayez pas de recharger des batteries non rechargeables.

**Si des produits chimiques fuyant de batteries touchent votre peau, lavez-la immédiatement avec de l'eau pour les enlever. Si des produits chimiques fuient sur l'appareil, lavez soigneusement celui-ci.**

### Changement des piles de secours

Pour conserver les réglages préalables de station et l'horloge en fonction lorsque le bloc-piles de 12 V est retiré et la radio débranchée, il est nécessaire d'utiliser deux piles AAA.

1. Retirer le bloc-piles de 12 V et débrancher la radio.
2. Retirer la vis et le couvercle du compartiment des piles.
3. Insérer deux (2) piles AAA en alignant les bornes positives (+) et les bornes négatives (-).
4. Replacer le couvercle du compartiment des piles et la vis.



## MANIEMENT

**AVERTISSEMENT** Il faut toujours retirer la batterie avant de changer ou d'enlever les accessoires. L'emploi d'accessoires autres que ceux qui sont expressément recommandés pour cet outil peut comporter des risques.

**AVERTISSEMENT** Afin de réduire le risque de choc électrique ou d'incendie, n'exposez pas cette radio à la pluie ni à l'humidité.

### Mise en marche et à l'arrêt.

Appuyer sur le bouton « On/Off » (Marche/arrêt) afin de mettre l'appareil en marche et à l'arrêt. La station de radio (fréquence) s'affiche. Pour afficher l'heure, appuyer sur le bouton « CLOCK » (Horloge).

### Volume

Utiliser ce bouton «+» pour augmenter et réduire le volume. Pour mettre instantanément la radio en sourdine, appuyer sur le bouton « MUTE » (Sourdine). Pour retourner à l'écran de réglage du volume, appuyer de nouveau sur le bouton « MUTE » (Sourdine).

### Réglage de l'horloge

1. Appuyer sur le bouton « CLOCK » (Horloge) et le tenir enfoncé jusqu'à ce que l'heure commence à clignoter.
2. Utiliser les boutons «◀▶» pour changer l'heure.
3. Appuyer de nouveau sur le bouton « CLOCK » (Horloge). Utiliser le bouton «◀▶» pour changer les minutes.
4. Appuyer de nouveau sur le bouton « CLOCK » (Horloge) pour enregistrer les données.

### Réglage de l'égalisateur

Pour régler manuellement les graves et les aigus (Bass/Treble), appuyer sur le bouton « EQ » (Égalisateur). Régler les graves à l'aide des boutons «◀▶». Appuyer de nouveau sur le bouton « EQ » (Égalisateur) pour régler les aigus à l'aide des boutons «◀▶».

### Sélection de la bande

Appuyer sur le bouton « MODE » (Mode) pour sélectionner la bande « AM », « FM » ou « AUX » (Auxiliaire).

### Syntonisation (Recherche et balayage)

Appuyer sur les boutons «◀▶» et les tenir enfoncés pour faire défiler la bande. Lorsque la station désirée est trouvée, la recherche est arrêtée. Utiliser le bouton « SCAN » (Balayage) pour continuer de faire défiler les stations, tout en faisant une pause à chacune d'entre elles.

## Stations PRÉRÉGLÉES

Pour **prérégler** des stations :

1. Syntoniser la station désirée.
2. Appuyer sur le bouton « PRESET » (Préréglages) jusqu'à ce que l'indicateur « PRESET » (Préréglages) apparaissant sur l'afficheur commence à clignoter.
3. Utiliser les boutons ◀▶ pour sélectionner l'emplacement préréglé de la station. Dix emplacements (0 à 9) sont disponibles.
4. Appuyer sur le bouton « PRESET » (Préréglages) pour enregistrer l'emplacement.

Pour **syntoniser** une station préréglée :

Appuyer sur le bouton « PRESET » (Préréglages) et le relâcher pour faire défiler les stations préréglées.

## Utilisation de la prise auxiliaire stéréo

1. Ouvrir le compartiment auxiliaire.
2. Brancher le dispositif auxiliaire dans la prise auxiliaire stéréo.
3. Utiliser le bouton « MODE » (Mode) pour sélectionner le mode « AUX » (auxiliaire).
4. Mettre en marche le dispositif auxiliaire.

## ACCESOIRES

**AVERTISSEMENT** Retirez toujours la batterie avant de changer ou d'enlever les accessoires. L'utilisation d'autres accessoires que ceux qui sont spécifiquement recommandés pour cet outil peut comporter des risques.

Pour une liste complète des accessoires, prière de se reporter au catalogue *MILWAUKEE* Electric Tool ou visiter le site internet [www.milwaukeetool.com](http://www.milwaukeetool.com). Pour obtenir un catalogue, il suffit de contacter votre distributeur local ou l'un des centres-service.

## ENTRETIEN

**AVERTISSEMENT** Pour minimiser les risques de blessures corporelles, débranchez le chargeur et retirez la batterie du chargeur ou de l'outil avant d'y effectuer des travaux d'entretien. Ne démontez jamais l'outil, la batterie ou le chargeur. Pour toute réparation, consultez un centre de service *MILWAUKEE* accrédité.

### Entretien de l'outil

Gardez l'outil, la batterie et le chargeur en bon état en adoptant un programme d'entretien ponctuel. Si l'outil ne démarre pas ou ne fonctionne pas à pleine puissance alors qu'il est branché sur une batterie complètement chargée, nettoyez les points de contact entre la batterie et l'outil. Si l'outil ne fonctionne toujours pas correctement, renvoyez l'outil, le chargeur et la batterie à un centre de service *MILWAUKEE* accrédité, afin qu'on en effectue la réparation (voir "Réparations").

**AVERTISSEMENT** Pour minimiser les risques de blessures ou de dommages à l'outil, n'immergez jamais l'outil, la batterie ou le chargeur et ne laissez pas de liquide s'y infiltrer.

### Nettoyage

Débarassez les événements du chargeur et de l'outil des débris et de la poussière. Gardez les poignées de l'outil propres, à sec et exemptes d'huile ou de graisse. Le nettoyage de l'outil, du chargeur et de la batterie doit se faire avec un linge humide et un savon doux. Certains nettoyants tels l'essence, la térébenthine, les diluants à laque ou à peinture, les solvants chlorés, l'ammoniaque et les détergents d'usage domestique qui en contiennent pourraient détériorer le plastique et l'isolation des pièces. Ne laissez jamais de solvants inflammables ou combustibles auprès de l'outil.

### Réparations

Pour les réparations, retournez outil, batterie et chargeur en entier au centre-service le plus près, selon la liste apparaissant à la dernière page de ce manuel.

## GARANTIE LIMITÉE - AUX ÉTATS-UNIS ET AU CANADA

Chaque outil électrique *MILWAUKEE* (y compris les produits sans fil [outils, piles, chargeur de piles, lampe de travail]) consulter les énoncés de la GARANTIE LIMITÉE DES BLOCS-PILES SANS FIL) est garanti à l'acheteur d'origine exempt de vice de matériel et de fabrication. Sous réserve de certaines exceptions, *MILWAUKEE* réparera ou remplacera toute pièce d'un outil électrique qui, après examen par *MILWAUKEE*, s'est avérée être affectée d'un vice de matériel ou de fabrication pendant une période de cinq (5) ans\* après la date d'achat, sauf indication contraire. Retourner l'outil électrique, à un centre de réparations en usine *MILWAUKEE* ou à un poste d'entretien agréé *MILWAUKEE*, en port prépayé et assuré. Une copie de la preuve d'achat doit être présentée au moment de retourner le produit. Cette garantie ne couvre pas les dommages que *MILWAUKEE* détermine être causés par des réparations ou des tentatives de réparation par quiconque autre que le personnel agréé par *MILWAUKEE*, des utilisations incorrectes, des altérations, des utilisations abusives, une usure normale, une carence d'entretien ou des accidents.

\*La période de garantie applicable pour les radios de chantier, le port d'alimentation M12™ et les chariots de travail industriels Trade Titan™ est d'une durée d'un (1) an à partir de la date d'achat. La période de la garantie couvrant la lampe de travail à DEL et l'ampoule améliorée à DEL est une garantie À VIE limitée à l'acheteur d'origine seulement; si, lors d'une utilisation normale, l'ampoule à DEL présente une défectuosité, la lampe de travail et l'ampoule seront remplacées sans frais.

\*Cette garantie ne s'applique pas aux cloueuses-grafeuses pneumatiques, aux pulvérisateurs à peinture sans air, aux blocs piles pour outils sans fil, aux génératrices d'alimentation portatives à essence, aux outils à main, aux monte-charge – électrique, à levier et à chaîne (manuel), aux vestes chauffantes M12™, aux produits résinés, ni aux produits d'essai et de mesure. Il existe des garanties distinctes pour ces produits.

L'enregistrement de la garantie n'est pas nécessaire pour bénéficier de la garantie en vigueur sur un outil électrique *MILWAUKEE*. La date de fabrication du produit servira à établir la période de garantie si aucune preuve d'achat n'est fournie lorsqu'une demande de service sous garantie est présentée.

L'ACCEPTATION DES RECOURS EXCLUSIFS DE RÉPARATION ET DE REMPLACEMENT DÉCRITS AUX PRÉSENTES EST UNE CONDITION DU CONTRAT D'ACHAT DE TOUT PRODUIT *MILWAUKEE*. SI VOUS N'ACCEPTÉZ PAS CETTE CONDITION, VOUS NE DEVEZ PAS ACHETER LE PRODUIT. EN AUCUN CAS *MILWAUKEE* NE SAURAIT ÊTRE RESPONSABLE DE TOUT DOMMAGE ACCESSOIRE, SPÉCIAL OU INDIRECT, DE DOMMAGES-INTÉRÊTS PUNITIFS OU DE TOUTE DÉPENSE, D'HONORAIRES D'AVOCATS, DE FRAIS, DE PERTE OU DE DÉLAIS ACCESSOIRES À TOUT DOMMAGE, DÉFAILLANCE OU DÉFAUT DE TOUT PRODUIT, Y COMPRIS NOTAMMENT LES PERTES DE PROFIT. CERTAINS ÉTATS ET PROVINCES NE PERMETTANT PAS L'EXCLUSION OU LA LIMITATION DES DOMMAGES DIRECTS OU INDIRECTS, LES RESTRICTIONS CI-DESSUS PEUVENT NE PAS ÊTRE APPLICABLES. CETTE GARANTIE EST EXCLUSIVE ET REMPLACE TOUTE AUTRE GARANTIE EXPRESSE, QU'ELLE SOIT ORALE OU ÉCRITE. DANS LA MESURE PERMISE PAR LA LOI, *MILWAUKEE* RENONCE À TOUTE GARANTIE IMPLICITE, Y COMPRIS, SANS S'Y LIMITER, TOUTE GARANTIE IMPLICITE DE QUALITÉ MARCHANDE OU D'ADAPTATION À UNE UTILISATION OU À UNE FIN PARTICULIÈRE. DANS LA MESURE OU UNE TELLE STIPULATION D'EXONÉRATION N'EST PAS PERMISE PAR LA LOI, LA DURÉE DE CES GARANTIES IMPLICITES EST LIMITÉE À LA PÉRIODE APPLICABLE DE LA GARANTIE EXPRESSE, TEL QUE DÉCRIT PRÉCÉDEMMENT. CERTAINS ÉTATS ET PROVINCES NE PERMETTANT PAS DE LIMITATION DE DURÉE DES GARANTIES IMPLICITES, LES RESTRICTIONS CI-DESSUS PEUVENT NE PAS ÊTRE APPLICABLES. LA PRÉSENTE CONFÈRE À L'UTILISATEUR DES DROITS LÉGAUX PARTICULIERS; IL BÉNÉFICIE ÉGALEMENT D'AUTRES DROITS QUI VARIENT D'UN ÉTAT À L'AUTRE.

Cette garantie s'applique aux produits vendus aux États-Unis et au Canada uniquement.

Veillez consulter la rubrique Centre SAV *MILWAUKEE*, dans la section Pièces & Service du site Web de *MILWAUKEE*, à l'adresse [www.milwaukeetool.com](http://www.milwaukeetool.com), ou composer le 1-800-SAWDUST (1-800-729-3878) afin de trouver le centre de réparations en usine *MILWAUKEE* le plus près.

## GARANTIE LIMITÉE – MEXIQUE, AMÉRIQUE CENTRALE ET CARAÏBES

TECHTRONIC INDUSTRIES' garantit le produit pendant cinq ans à partir de la date d'achat d'origine. Le présent bon de garantie couvre tous les vices de matériel et de fabrication que peut afficher cet outil électrique. Pour assurer la validité de la présente garantie, veuillez présenter le bon de commande, estampillé du sceau du distributeur ou du magasin où le produit a été acheté, au centre de réparations agréé. Si le bon de commande n'a pas été estampillé, veuillez fournir la preuve d'achat d'origine au centre de réparations agréé. Pour un entretien, des pièces, des accessoires ou d'autres composants, composer sans frais le 1-800-832-1949 afin d'obtenir les coordonnées du centre de réparations agréé le plus près.

### Procédure pour assurer la validité de la garantie

Présenter le produit au centre de réparations agréé, accompagné du bon de commande estampillé du sceau du distributeur ou du magasin où le produit a été acheté. Toute pièce défectueuse ou tout composant défectueux sera remplacé sans frais. *Milwaukee* assume tous les frais de transport liés à ce processus de garantie.

### Exceptions

La garantie ne s'applique pas dans les situations suivantes :

- a) Si le produit a été utilisé pour une fin autre que celle indiquée dans le guide de l'utilisateur final ou le manuel d'instructions.
- b) Si les conditions d'utilisations ne sont pas habituelles.
- c) Si le produit a été modifié ou réparé par une personne non autorisée par TECHTRONIC INDUSTRIES.

Note : Si le cordon électrique est endommagé, il doit être remplacé par un centre de réparations agréé pour éviter les risques d'électrocution.

Modèle : \_\_\_\_\_

Date d'achat : \_\_\_\_\_

Sceau du distributeur ou du magasin :

CENTRE DE RÉPARATIONS ET DE SERVICE  
Rafael Buelna No.1.  
Col. Tezozomoc Mexico, Azcapotzalco D.F.  
Ph. 01 800 832 1949

IMPORTÉ ET COMMERCIALISÉ PAR :  
TECHTRONIC INDUSTRIES MEXICO, S.A. DE C.V.  
Av. Santa Fe 481 piso 6, Col. Curz Manca.  
CP 05349, Cuajimalpa, D.F.

## INSTRUCCIONES IMPORTANTES DE SEGURIDAD

**ADVERTENCIA LEA, ENTIENDA Y SIGA TODAS LAS INSTRUCCIONES.** El incumplimiento de todas las advertencias indicadas a continuación, puede resultar en choque eléctrico, incendio o lesiones personales graves. **CONSERVE ESTAS INSTRUCCIONES.**

- **Lea estas instrucciones.**
- **Conserve estas instrucciones.**
- **Observe todas las advertencias.**
- **Siga todas las instrucciones.**
- **No use este aparato cerca del agua.** Nunca sumerja el aparato en líquido ni permita que fluya líquido alguno al interior del aparato. El agua que ingrese al aparato aumentará el riesgo de choque eléctrico.
- **Limpie sólo con un paño seco.** Ciertos agentes limpiadores y solventes son perjudiciales a los plásticos y a otras partes con aislamiento. Entre estos se incluyen: gasolina, aguarrás, diluyentes para lacas, diluyentes para pinturas, solventes clorinados para limpieza, amoníaco y detergentes caseros con amoníaco. Limpie el polvo y los restos de material que se hayan acumulado en los orificios de ventilación. Mantenga el mango del aparato limpio, seco exento de grasa o aceite.
- **No bloquee las aberturas de ventilación.** Instale la unidad de conformidad con las instrucciones del fabricante.
- **No instale la unidad cerca de fuentes de calor** como radiadores, registros de calefacción, estufas u otros aparatos (incluso amplificadores) que producen calor.
- **No anule el propósito de seguridad del enchufe polarizado o con conexión a tierra.** Un enchufe polarizado tiene dos patillas y una es más ancha que la otra. Un enchufe con conexión a tierra tiene dos patillas y una tercera espiga de conexión a tierra. La patilla ancha o la tercera espiga se proporcionan para su seguridad. Si el enchufe provisto no encaja en su tomacorriente, consulte con un electricista para el reemplazo del tomacorriente obsoleto.
- **Proteja el cable eléctrico contra pisadas o aplastamiento** particularmente en los enchufes, receptáculos de conveniencia y en el punto donde salen del aparato. No maltrate el cordón eléctrico. Nunca use el cordón eléctrico para transportar la radio ni para tirar del enchufe en el tomacorriente. Mantenga el cordón eléctrico alejado del calor, del aceite, de los bordes filosos o de las partes móviles. Reemplace inmediatamente los cordones dañados. Los cordones dañados aumentan el riesgo de choques eléctricos y pueden causar un incendio.
- **Use solamente accesorios especificados por el fabricante.**
- **Desconecte este aparato durante tormentas eléctricas o cuando no se vaya a utilizar por largos períodos de tiempo. Sólo opere este instrumento en un área bien ventilada.**
- **Desconecte la alimentación eléctrica del tomacorriente cuando no se utilice el instrumento.**
- **Sólo enchufe la alimentación eléctrica en un tomacorriente de fácil acceso para que el artefacto pueda desenchufarse rápidamente.**

- **Sólo personal calificado de servicio debe brindar el servicio de mantenimiento.** Se requiere el servicio si la radio sufre daño de cualquier manera, si se daña el cordón eléctrico o el enchufe, si se derrama líquido o se introducen objetos en el interior de la radio, si se expone la radio a la lluvia o a la humedad o si no funciona normalmente. El servicio o mantenimiento realizado por personal no calificado podría crear el riesgo de lesiones.
- **Las radios que funcionen con baterías, sean éstas integradas o parte de un paquete separado de baterías, se han de recargar solamente con el cargador especificado para dichas baterías.** Un cargador apropiado para un tipo de baterías podría crear un riesgo de incendio si se lo usa con otra batería.
- **Use un radio alimentado por baterías solamente con las baterías específicamente indicadas.** El uso de otro tipo de baterías puede crear un riesgo de incendio.
- **Cuando el paquete de baterías no esté en uso, manténgalo alejado de objetos metálicos como: sujetapapeles, monedas, llaves, clavos, tornillos u otros objetos metálicos que puedan establecer una conexión entre los terminales.** El cortocircuito entre los terminales de la batería puede causar chispas, quemaduras o un incendio.
- **Evite el contacto corporal con las superficies conectadas a tierra tales como las tuberías, radiadores, estufas y refrigeradores.** Existe un mayor riesgo de choque eléctrico si su cuerpo está en contacto con una conexión a tierra.
- **No use un adaptador de enchufes.**
- **Al hacer funcionar una radio en la intemperie, use una extensión eléctrica marcada como "W-A" o "W".** Estas extensiones eléctricas tienen capacidad nominal para el uso en exteriores y reducen el riesgo de choque eléctrico.
- **Nunca desarme la radio ni trate de modificar el cableado del sistema eléctrico de la radio.**
- **No exponga este aparato a goteos o salpicaduras, ni coloque objetos llenos de líquidos sobre esta unidad.**

### REGLAS ESPECIFICAS DE SEGURIDAD

- **Guarde las etiquetas y las placas de especificaciones.** Estas contienen información importante. Si son ilegibles o están extraviadas, póngase en contacto con un centro de servicio de MILWAUKEE para obtener el reemplazo gratis.
- **Esta radio está diseñada para funcionar con la fuente de alimentación de corr. alt./corr. cont. de 12 V MILWAUKEE, Cat. No. 23-81-0700, o con una batería de 12 V MILWAUKEE.** No intente usar este producto con ningún otro voltaje ni otra fuente de alimentación.

**FC** Federal Communications Commission

- **ADVERTENCIA:** Los cambios o modificaciones hechos a esta unidad sin la autorización expresa del responsable del cumplimiento de la norma podrían anular la autoridad del usuario para manejar el equipo. Se ha verificado y determinado que este equipo cumple con los límites correspondientes a los dispositivos digitales de Clase B, de acuerdo con la Parte 15 de las Normas de la FCC. Estos límites se han diseñado para garantizar una protección razonable contra interferencias perjudiciales en instalaciones residenciales. Este equipo genera, utiliza y puede radiar energía de radiofrecuencia y, si no se instala y utiliza en conformidad con las instrucciones, puede generar interferencia perjudicial para la radiocomunicación. No obstante, no se garantiza que no se produzca interferencia en una instalación concreta. Si este equipo, en efecto, genera interferencia perjudicial para la recepción de radio o televisión, que se puede determinar apagando y encendiendo el equipo, se insta al usuario a intentar corregir la interferencia tomando una o varias de las siguientes medidas:
  - Reorientar o reubicar la antena receptora.
  - Aumentar la distancia que separa al equipo del receptor.
  - Conectar el equipo a un tomacorriente de otro circuito distinto a aquel que tiene conectado el receptor.
  - Solicitar ayuda al distribuidor o a un técnico de radio y televisión experto.

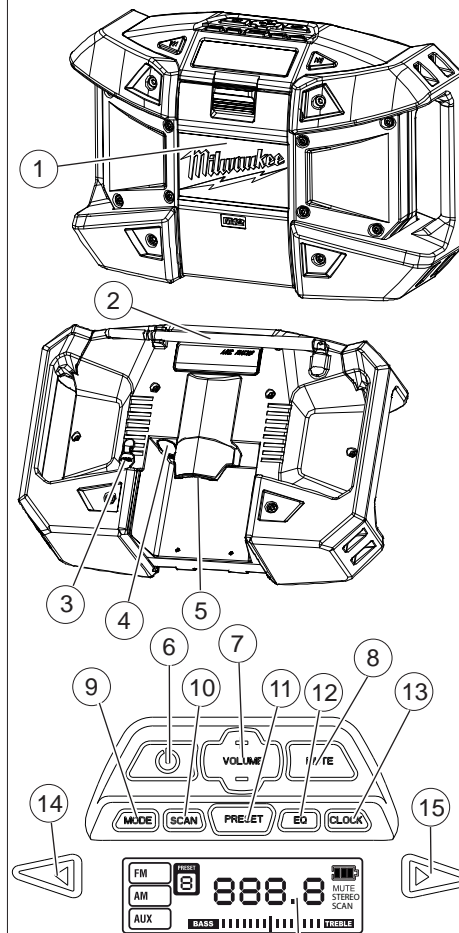
### ESPECIFICACIONES

Cat. No.	Volts de cd	Amps de cd
2590-20	13,5	1,2

### SIMBOLOGÍA

	Para reducir el riesgo de lesiones, el usuario debe leer y entender el manual del operador.
	Volts de corriente continua
	Milliamperios
	Underwriters Laboratories, Inc., Estados Unidos y Canadá
	Federal Communications Commission

## DESCRIPCION FUNCIONAL



1. Compartimiento auxiliar
2. Antena
3. Enchufe de corr. cont. de 12 V
4. Compartimiento de las baterías de repuesto
5. Puerto de las baterías de 12 V
6. Botón de encendido/apagado
7. Control de volumen
8. Botón Mute (silencio)
9. Botón Mode (modo)
10. Botón Scan (escanear)
11. Botón Preset (preconfigurar)
12. Botón EQ (ecualizador)
13. Botón Clock (reloj)
14. Buscar/ajustar hacia abajo
15. Buscar/ajustar hacia arriba
16. Pantalla



## TIERRA

### Radios con doble aislamiento:

**Radios con enchufes de dos patillas**  
Las radios con la marca "Double Insulated" (Doble aislamiento) no requieren conexión a tierra. Estas incluyen un sistema especial de doble aislamiento que cumple con los requisitos de OSHA y cumple los estándares aplicables de Underwriters Laboratories, Inc., de la Asociación de Estándares Canadienses y el Código Nacional Eléctrico. Se puede usar las radios con doble aislamiento en cualquiera de los tomacorrientes de 120 volts que se indican en las figuras A y B.

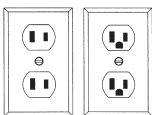


Fig. A Fig. B

## EXTENSIONES ELECTRICAS

Las herramientas con doble aislamiento y clavijas de dos patas pueden utilizarse indistintamente con extensiones de dos a tres cables. El calibre de la extensión depende de la distancia que exista entre la toma de la corriente y el sitio donde se utilice la herramienta. El uso de extensiones inadecuadas puede causar serias caídas en el voltaje, resultando en pérdida de potencia y posible daño a la herramienta. La tabla que aquí se ilustra sirve de guía para la adecuada selección de la extensión. Mientras menor sea el número del calibre del cable, mayor será la capacidad del mismo. Por ejemplo, un cable calibre 14 puede transportar una corriente mayor que un cable calibre 16. Cuando use mas de una extensión para lograr el largo deseado, asegúrese que cada una tenga al menos, el mínimo tamaño de cable requerido. Si está usando un cable de extensión para mas de una herramienta, sume los amperes de las varias placas y use la suma para determinar el tamaño mínimo del cable de extensión.

### Guías para el uso de cables de extensión

- Si está usando un cable de extensión en sitios al aire libre, asegúrese que está marcado con el sufijo "W-A" ("W" en Canadá) el cual indica que puede ser usado al aire libre.
- Asegúrese que su cable de extensión está correctamente cableado y en buenas condiciones eléctricas. Cambie siempre una extensión dañada o hágala reparar por una persona calificada antes de volver a usarla.
- Proteja su extensión eléctrica de objetos cortantes, calor excesivo o áreas mojadas.
- Desenchufe todas las extensiones eléctricas durante las tormentas eléctricas o cuando no piense usarlas por mucho tiempo.

### Calibre mínimo recomendado para cables de extensiones eléctricas\*

Amperios (En la placa)	Largo de cable de Extensión en (m)					
	7,6	15,2	22,8	30,4	45,7	60,9
0 - 5,0	16	16	16	14	12	12
5,1 - 8,0	16	16	14	12	10	--
8,1 - 12,0	14	14	12	10	--	--
12,1 - 15,0	12	12	10	10	--	--
15,1 - 20,0	10	10	10	--	--	--

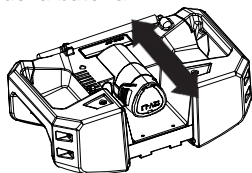
\* Basado en limitar la caída en el voltaje a 5 volts al 150% de los amperios.

## ENSAMBLAJE

**ADVERTENCIA** Recargue la batería sólo con el cargador especificado para ella. Para instrucciones específicas sobre cómo cargar, lea el manual del operador suministrado con su cargador y la batería.

### Inserción/Extracción de la batería de la herramienta

**Introduzca** la batería deslizando en la base de la batería, en la parte posterior de la radio. Introduzca la batería hasta escuchar un chasquido que indique que está en su lugar. Presione los botones de liberación y jale de la batería para sacarla de la herramienta.



### Indicador de carga

El indicador de carga se muestra en el ángulo inferior derecho de la pantalla de cristal líquido mientras la herramienta está encendida.

- Vida útil completa de la batería
- 2/3 de vida útil de la batería
- 1/3 de vida útil de la batería
- Cargar batería

### Protección de la batería

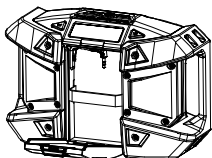
Para proteger la vida útil de la batería, la radio se apaga cuando la carga de la batería es demasiado baja. Si esto sucede, retire la batería y cárguela según las instrucciones del cargador.

### Uso de un adaptador de corr. alt./corr. cont.

Use solamente la fuente de alimentación de corr. alt./corr. cont. de 12 V Milwaukee, N° de cat. 23-81-0700. Introduzca la fuente de alimentación en el enchufe de corr. cont. de 12 V, en la parte posterior de la radio. Enchufe el adaptador en una toma de corriente de pared apropiada.

### Instalación de un dispositivo auxiliar

Abra el compartimiento auxiliar para conectar un reproductor de MP3 o CD, u otro dispositivo de audio usando el enchufe auxiliar de estéreo. Se puede guardar pequeños dispositivos (de menos de 57 mm (2¼") de ancho, 114 mm (4½") de alto y 19 mm (¾") de espesor) en el compartimiento durante el uso de la unidad.



**ADVERTENCIA** Las baterías pueden derramar productos químicos o pueden explotar si se las usa erróneamente. Es necesario tomar las siguientes precauciones para evitar un incidente de este tipo:

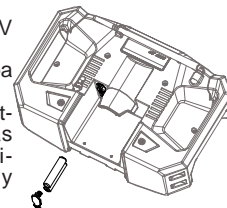
- Asegúrese de que los terminales positivo (+) y negativo (-) de la batería estén colocados correctamente.
- No mezcle baterías usadas con baterías nuevas, ni mezcle tipos diferentes de baterías.
- No intente recargar baterías no recargables.

Si su piel entra en contacto con las sustancias químicas de las baterías, lávese inmediatamente con agua. Si las sustancias químicas penetran en la unidad, limpie completamente la unidad.

### Cambio de las baterías de repuesto

Para mantener las estaciones preconfiguradas y la hora del reloj cuando se retira la batería de 12 V y se desenchufa la radio, se requieren 2 baterías AAA.

1. Retire la batería de 12 V y desenchufe la radio.
2. Retire el tornillo y la tapa de las baterías.
3. Introduzca dos (2) baterías AAA, según las marcas correspondientes, positivo (+) y negativo (-).
4. Vuelva a colocar la tapa de las baterías y el tornillo.



## OPERACION

**ADVERTENCIA** Para reducir el riesgo de lesiones, siempre quite la batería antes de cambiar o quitar accesorios. Use solamente accesorios específicamente recomendados para esta herramienta. El uso de otros puede resultar peligroso.

**ADVERTENCIA** Para reducir el riesgo de incendio o choque eléctrico, no exponga esta radio a la lluvia ni a la humedad.

### Encendido/apagado

Presione el botón de encendido para encender y apagar la herramienta. Se muestra en la pantalla la estación de radio (frecuencia). Para que se muestre la hora en la pantalla, presione el botón CLOCK (reloj).

### Volumen

Use el botón para subir o bajar el volumen. Para silenciar la radio en forma instantánea, presione el botón MUTE (silencio). Para regresar al volumen configurado, presione nuevamente el botón MUTE (silencio).

### Configuración del reloj

1. Presione y no suelte el botón CLOCK (reloj) hasta que la hora comience a parpadear.
2. Use los botones para cambiar la hora.
3. Presione nuevamente el botón CLOCK (reloj). Use los botones para cambiar los minutos.
4. Presione nuevamente el botón CLOCK (reloj) para guardar los cambios.

### Ajuste del ecualizador

Para ajustar manualmente los sonidos Bass/Treble (bajos/agudos), presione el botón EQ (ecualizador). Configure el sonido de los bajos con los botones . Presione nuevamente el botón EQ (ecualizador) para configurar el sonido de los agudos, con los botones .

### Selección de banda

Presione el botón MODE (modo) para seleccionar AM, FM o AUX (auxiliar).

### Sintonización (búsqueda y escaneado)

Presione y no suelte los botones para realizar la búsqueda en toda la banda. Cuando se encuentra una estación, se detiene la búsqueda. Use el botón SCAN (escanear) para continuar buscando por las estaciones, haciendo una pausa en cada una de ellas.

## Estaciones preconfiguradas

Para **configurar** las estaciones preconfiguradas:

1. Sintonice la estación deseada.
2. Presione y no suelte el botón PRESET (preconfigurar) hasta que el indicador de PRESET (preconfigurar), que se muestra en la pantalla, empiece a parpadear.
3. Use los botones ◀▶ para seleccionar la ubicación preseleccionada para la estación. Hay diez ubicaciones (0-9) disponibles.
4. Presione el botón PRESET (preconfigurar) para guardar la ubicación.

Para **sintonizar** una estación preconfigurada: Presione y suelte el botón PRESET (preconfigurar) para ir por las estaciones preconfiguradas.

## Uso del enchufe auxiliar de estéreo

1. Abra el compartimiento auxiliar
2. Enchufe el dispositivo auxiliar en el enchufe auxiliar de estéreo.
3. Use el botón MODE (modo) para seleccionar AUX (auxiliar).
4. Encienda el dispositivo auxiliar.

## MANTENIMIENTO

**⚠ ADVERTENCIA** Para reducir el riesgo de una lesión, desconecte siempre la herramienta antes de darle cualquier mantenimiento. Nunca desarme la herramienta ni trate de hacer modificaciones en el sistema eléctrico de la misma. Acuda siempre a un Centro de Servicio MILWAUKEE para TODAS las reparaciones.

### Mantenimiento de la herramienta

Adopte un programa regular de mantenimiento y mantenga sus baterías y cargador en buenas condiciones. Si la herramienta no arranca u opera a toda su potencia con una batería completamente cargada, limpie, con una goma o borrador, los contactos de la batería y de la herramienta. Si aun así la herramienta no trabaja correctamente, regrésela, con el cargador y la batería, a un centro de servicio MILWAUKEE para que sea reparada.

**⚠ ADVERTENCIA** Para reducir el riesgo de una explosión, no queme nunca una batería, aun si está dañada, "muerta" o completamente descargada.

### Limpieza

Limpie el polvo y suciedad de las ventilas del cargador y la herramienta. Mantenga los mangos y empuñaduras limpios, secos y libres de aceite o grasa. Use solo jabón neutro y un trapo húmedo para limpiar la herramienta, batería y el cargador, ya que algunos substancias y solventes limpiadores son dañinos a los plásticos y partes aislantes. Algunos de estos incluyen: gasolina, turpentina, thinner, lacas, thinner para pinturas, solventes para limpieza con cloro, amoníaco y detergentes caseros que tengan amonía. Nunca usa solventes inflamables o combustibles cerca de una herramienta.

### Reparaciones

Si su herramienta, batería o cargador están dañados, envíela al centro de servicio más cercano de los listados en la cubierta posterior de este manual del operario.

## ACCESORIOS

**⚠ ADVERTENCIA** Para reducir el riesgo de lesiones, siempre extraiga la batería antes de cambiar o retirar accesorios. Utilice únicamente accesorios específicamente recomendados para esta herramienta. El uso de accesorios no recomendados podría resultar peligroso.

Para una lista completa de accesorios, refiérase a su catálogo MILWAUKEE Electric Tool o visite nuestro sitio en Internet: [www.milwaukeetool.com](http://www.milwaukeetool.com). Para obtener un catálogo, contacte su distribuidor local o uno de los centros de servicio.

## GARANTÍA LIMITADA - E.U.A. Y CANADÁ

Se garantiza al comprador original que ninguna de las herramientas eléctricas MILWAUKEE (incluido el producto inalámbrico, la herramienta y las baterías; consulte las declaraciones distintas y por separado en GARANTÍA LIMITADA DEL PAQUETE DE BATERÍAS INALÁMBRICAS y de las luces de trabajo y del cargador de baterías) presentan defectos en material ni en mano de obra. En un plazo de cinco (5) años\* a partir de la fecha de compra y sujeto a ciertas excepciones, MILWAUKEE reparará o reemplazará cualquier parte de una herramienta eléctrica que, luego de ser examinada, MILWAUKEE compruebe que presenta defectos en material o mano de obra, a menos que se indique lo contrario. Se requiere la devolución de la herramienta eléctrica a un centro de mantenimiento de la fábrica MILWAUKEE o a un centro de reparaciones autorizado por MILWAUKEE, con gastos de envío prepagados y asegurados. La devolución del producto debe estar acompañada por un comprobante de compra. Esta garantía no se aplica a los daños que MILWAUKEE establezca que fueron ocasionados por reparaciones o intentos de reparación por parte de personal no autorizado por MILWAUKEE, uso indebido, alteraciones, abuso, desgaste y deterioro normal, falta de mantenimiento o accidentes.

\*El periodo de garantía de las radios para obras, del puerto de alimentación M12™ y de las carretillas de trabajo industrial Trade Titan™ es de un (1) año a partir de la fecha de compra. El periodo de garantía de la lámpara de trabajo con diodo luminiscente y del foco mejorado con diodo luminiscente es una garantía VITALICIA limitada para el comprador original únicamente. Si durante el uso normal el foco de diodo luminiscente no funciona, la lámpara de trabajo o el foco mejorado se reemplazará sin carga.

\*Esta garantía no cubre las clavadoras aéreas, las engrapadoras, el rociador de pintura inalámbrico, el paquete de baterías inalámbrico, los generadores eléctricos portátiles que funcionan con gasolina, herramientas manuales, elevadores (eléctricos, con palanca y con cadenas manuales), camisas de calefacción M12™, productos reacondicionados y productos de prueba y medición. Se encuentran disponibles garantías distintas para estos productos.

No se necesita registro de garantía para obtener la garantía correspondiente de un producto eléctrico MILWAUKEE. La fecha de fabricación del producto se utilizará para determinar el periodo de garantía si no se presenta un comprobante de compra en el momento en que se solicita el servicio de garantía.

LA ACEPTACIÓN DE LOS DERECHOS A REPARACIÓN Y REEMPLAZO EXCLUSIVAMENTE DESCRITOS EN EL PRESENTE DOCUMENTO CONSTITUYE UNA CONDICIÓN DEL CONTRATO POR LA COMPRA DE CADA PRODUCTO MILWAUKEE. SI NO ACEPTA ESTA CONDICIÓN, NO DEBE COMPRAR EL PRODUCTO. MILWAUKEE NO SERÁ EN NINGÚN CASO RESPONSABLE DE DAÑOS INCIDENTALES, ESPECIALES, CONSECUENTES O PUNITIVOS, NI DE COSTOS, HONORARIOS DE ABOGADOS, GASTOS, PÉRDIDAS O DEMORAS SUPUESTAMENTE CAUSADOS COMO CONSECUENCIA DE CUALQUIER DAÑO, FALLA O DEFECTO EN CUALQUIER PRODUCTO, INCLUIDOS, A MODO DE EJEMPLO, RECLAMOS POR PÉRDIDA DE GANANCIAS. ALGUNOS ESTADOS NO PERMITEN LA EXCLUSIÓN O LA LIMITACIÓN DE DAÑOS INCIDENTALES O CONSECUENTES. POR LO TANTO, LAS LIMITACIONES Y EXCLUSIONES ANTERIORES PUEDEN NO APLICARSE PARA USTED. ESTA GARANTÍA ES EXCLUSIVA Y SUSTITUYE A TODAS LAS OTRAS GARANTÍAS EXPRESAS, ESCRITAS U ORALES. SEGÚN LO PERMITA LA LEY, MILWAUKEE SE EXIME DE TODA GARANTÍA IMPLÍCITA, INCLUIDOS, A MODO DE EJEMPLO, TODA GARANTÍA IMPLÍCITA DE COMERCIABILIDAD O IDONEIDAD PARA UN USO O PROPÓSITO EN PARTICULAR. EN LA MEDIDA EN QUE DICHA RENUNCIA NO ESTÉ PERMITIDA POR LA LEY, DICHAS GARANTÍAS IMPLÍCITAS ESTÁN LIMITADAS A LA DURACIÓN DE LA GARANTÍA EXPRESA APLICABLE SEGÚN SE DESCRIBE ANTERIORMENTE. ALGUNOS ESTADOS NO PERMITEN LIMITACIONES EN LA DURACIÓN DE UNA GARANTÍA IMPLÍCITA. POR LO TANTO, LA LIMITACIÓN ANTERIOR PUEDE NO APLICARSE PARA USTED. ESTA GARANTÍA LE OTORGA DERECHOS LEGALES ESPECÍFICOS Y TAMBIÉN PUEDE TENER OTROS DERECHOS QUE VARIAN DE ESTADO EN ESTADO.

Esta garantía se aplica a los productos vendidos en los EE. UU. y Canadá.

Consulte 'Service Center Search' (Búsqueda de centro de servicio) en la sección Parts & Services (Piezas y servicios) del sitio web MILWAUKEE, [www.milwaukeetool.com](http://www.milwaukeetool.com) o llame al 1.800.SAWDUST (1.800.729.3878) para encontrar su Centro de Servicio de la fábrica de MILWAUKEE más cercano.

## POLIZA DE GARANTÍA - VALIDA SOLO PARA MEXICO, AMÉRICA CENTRAL Y EL CARIBE

TECHTRONIC INDUSTRIES., garantiza por 5 años este producto a partir de la fecha original de compra.

Esta garantía cubre cualquier defecto que presenten las piezas, componentes y la mano de obra contenidas en este producto. Para América Central y el Caribe se debe confirmar en el Centro de Servicio Autorizado el plazo de la garantía.

Para hacer efectiva la Garantía deberá presentar al Centro de Servicio Autorizado la Póliza de Garantía sellada por el establecimiento en donde adquirió el producto. Si no la tienen, podrá presentar el comprobante de compra original.

Usted puede llamar sin costo al teléfono 01 800 832 1949 o por correo electrónico a la dirección "servicio@tigroupna.com", para ubicar el Centro de Servicio Autorizado más cercano a su domicilio, en el cual además podrá adquirir partes, componentes, consumibles y accesorios, que usted necesite.

### Procedimiento para hacer válida la garantía

Acuda al Centro de Servicio con el producto y la póliza de garantía sellada por el establecimiento donde realizó la compra. Ahí se reemplazará cualquier pieza o componente defectuoso sin cargo alguno para el usuario final. La empresa se hace responsable de los gastos de transporte razonablemente erogados que se deriven del cumplimiento de la presente garantía.

### Excepciones

La garantía perderá validez en los siguientes casos:

a) Cuando el producto se hubiese utilizado en condiciones distintas a las normales.

b) Cuando el producto no hubiese sido operado de acuerdo con el instructivo de uso que le acompaña.

c) Cuando el producto hubiese sido alterado o reparado por personas no autorizadas por TECHTRONIC INDUSTRIES.

Nota: Si el cordón de alimentación es dañado, este debe ser reemplazado por el fabricante o por un Centro de Servicio Autorizado para evitar riesgo.

Modelo: \_\_\_\_\_

Fecha de Compra: \_\_\_\_\_

Sello del Distribuidor: \_\_\_\_\_

CENTRO DE SERVICIO Y ATENCIÓN A CLIENTES  
Rafael Buelna No. 1. Col. Tezozomoc Mexico, D.F.  
Tel. 01 800 832 1949

IMPORTADO Y COMERCIALIZADO POR:  
TECHTRONIC INDUSTRIES MEXICO, S.A. DE C.V.  
Av. Santa Fe 481 piso 6, Col. Curz Manca.  
CP 05349, Cuajimalpa, D.F.

## UNITED STATES MILWAUKEE Service

MILWAUKEE prides itself in producing a premium quality product that is NOTHING BUT HEAVY DUTY®. Your satisfaction with our products is very important to us! If you encounter any problems with the operation of this tool, or you would like to locate the factory Service/Sales Support Branch or authorized service station nearest you, please call...

Additionally, we have a nationwide network of authorized Distributors ready to assist you with your tool and accessory needs. Check your "Yellow Pages" phone directory under "Tools-Electric" for the names & addresses of those nearest you or see the 'Where To Buy' section of our website.

### 1-800-SAWDUST

(1.800.729.3878)

Monday-Friday  
7:00 AM - 6:30 PM  
Central Time

or visit our website at

[www.milwaukeetool.com](http://www.milwaukeetool.com)

For service information, use the 'Service Center Search' icon found in the 'Parts & Service' section.

#### Contact our Corporate After Sales Service Technical Support about ...

- Technical Questions
- Service/Repair Questions
- Warranty

call: 1-800-SAWDUST

fax: 1.800.638.9582

email: [metproductsupport@milwaukeetool.com](mailto:metproductsupport@milwaukeetool.com)

#### Register your tool online at [www.milwaukeetool.com](http://www.milwaukeetool.com) and...

- receive important notifications regarding your purchase
- ensure that your tool is protected under the warranty
- become a HEAVY DUTY club member

## CANADA - Service MILWAUKEE

MILWAUKEE prides itself in producing a premium quality product that is NOTHING BUT HEAVY DUTY®. Your satisfaction with our products is very important to us!

If you encounter any problems with the operation of this tool, or you would like to locate the factory Service/Sales Support Branch or authorized service station nearest you, please call...

1.800.268.4015

Monday – Friday 7:00 – 4:30 CST

fax: 866.285.9049

#### Milwaukee Electric Tool (Canada) Ltd

140 Fernstaff Court, Unit 4 18129 111 Avenue NW  
Vaughan, ON L4K 3L8 Edmonton, AB T5S 2P2

Additionally, we have a nationwide network of authorized Distributors ready to assist you with your tool and accessory needs. Call 1.800.268.4015 to find the names and addresses of the closest retailers or consult "Where to buy" on our Web site [www.milwaukeetool.com](http://www.milwaukeetool.com)

MILWAUKEE est fier de proposer un produit de première qualité NOTHING BUT HEAVY DUTY®. Votre satisfaction est ce qui compte le plus!

En cas de problèmes d'utilisation de l'outil ou pour localiser le centre de service/ventes ou le centre d'entretien le plus proche, appelez le...

1.800.268.4015

Lundi – Vendredi 7:00 – 4:30 CST

fax: 866.285.9049

#### Milwaukee Electric Tool (Canada) Ltd

140 Fernstaff Court, Unit 4 18129 111 Avenue NW  
Vaughan, ON L4K 3L8 Edmonton, AB T5S 2P2

Notre réseau national de distributeurs agréés se tient à votre disposition pour fournir l'aide technique, l'outillage et les accessoires nécessaires. Composez le 1.800.268.4015 pour obtenir les noms et adresses des revendeurs les plus proches ou bien consultez la section «Où acheter» sur notre site web à l'adresse [www.milwaukeetool.com](http://www.milwaukeetool.com)

## MEXICO - Soporte de Servicio MILWAUKEE

### CENTRO DE ATENCIÓN A CLIENTES

Rafael Buelna No. 1, Col Tezozomoc,  
Delegación Azcapotzalco, México, D.F.  
Telefono sin costo 01 800 832 1949  
e-mail: [servicio@ttigroupna.com](mailto:servicio@ttigroupna.com)

Adicionalmente, tenemos una red nacional de distribuidores autorizados listos para ayudarle con su herramienta y sus accesorios. Por favor, llame al 01 800 832 1949 para obtener los nombres y direcciones de los más cercanos a usted, o consulte la sección 'Where to buy' (Dónde comprar) de nuestro sitio web en

[www.ttigroupmexico.com](http://www.ttigroupmexico.com)

#### Registre su herramienta en línea, en [www.ttigroupmexico.com](http://www.ttigroupmexico.com) y...

- reciba importantes avisos sobre su compra
- asegúrese de que su herramienta esté protegida por la garantía
- conviértase en integrante de Heavy Duty

## MILWAUKEE ELECTRIC TOOL CORPORATION

13135 West Lisbon Road • Brookfield, Wisconsin, U.S.A. 53005