




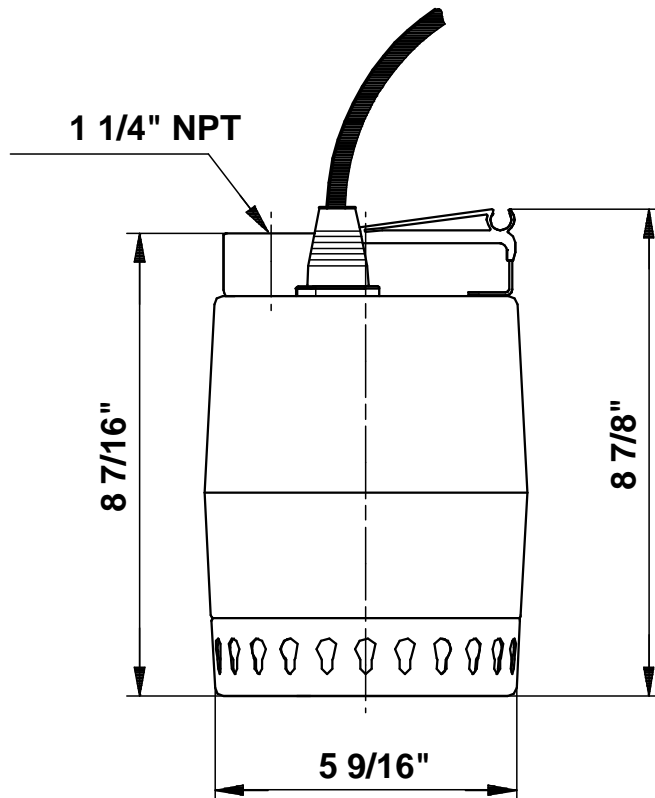
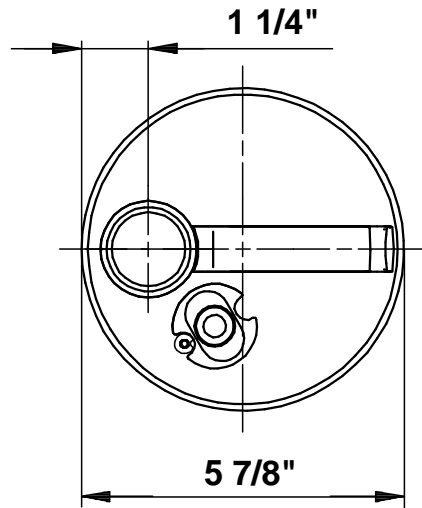
Position	Count	Description	Unit price
	-1	<p>Unilift KP 250 A 1</p>  <p>Product photo could vary from the actual product</p> <p>Product No.: 96847186 Submersible drainage pump</p> <p>Vertical single-stage stainless steel submersible pump with vertical discharge port and integrated submersible 1-phase canned motor in insulation class F with thermal overload protection.</p> <p>The pump is fitted with a suction strainer, a carrying handle and is supplied with a 10 ft mains cable.</p> <p>The impeller is a semi-open impeller for 33 ft. free passage suitable for pumping groundwater, surface water, rain water and similar liquids.</p> <p>The pump has a double shaft seal consisting of two lip seals with grease in-between.</p> <p>The pump has an outer casing ensuring continuous cooling of the motor by the pumped liquid. The rotor shaft operates in two maintenance-free carbon bearings cooled by the pumped liquid.</p> <p>The motor is filled with a non-toxic motor liquid.</p> <p>Liquid: Liquid temperature range: 32 .. 122 °F Density: 62.4 lb/ft³</p> <p>Technical: Type of impeller: Semi-open Approvals on nameplate: UL Listed, CSA</p> <p>Materials: Pump housing: Stainless steel DIN W.-Nr. 1.4301 AISI 304 Impeller: Stainless steel DIN W.-Nr. 1.4301 AISI 304</p>	On request



Company name: -
 Created by: -
 Phone: -
 Fax: -
 Date: -

Position	Count	Description	Unit price
		<p>Installation: Pump outlet: 1 1/4" NPT Maximum installation depth: 32.8 ft</p> <p>Electrical data: Power input - P1: 480 W Main frequency: 60 Hz Rated voltage: 1 x 115 V Rated current: 4.9 A Starting current: 14.5 A Capacitor size - run: 20 µF/250 V Enclosure class (IEC 34-5): 68 Insulation class (IEC 85): F Length of cable: 10 ft Type of cable plug: US</p> <p>Others: Shipping volume: 0.44 ft³</p>	

96847186 Unilift KP 250 A 1 60 Hz



Note! All units are in [mm] unless others are stated.
Disclaimer: This simplified dimensional drawing does not show all details.