



Argo
BASEBOARD



RESIDENTIAL
LO~TRIM II
BASEBOARD



LO-TRIM II BASEBOARD RADIATION
Providing comfort to any room with style!

- Low Profile
- Advanced Design
- Quiet Operation
- Quick & Easy to Install



RESIDENTIAL

Argo
BASEBOARD

LO~TRIM II BASEBOARD

FULLY MODULATING DAMPER

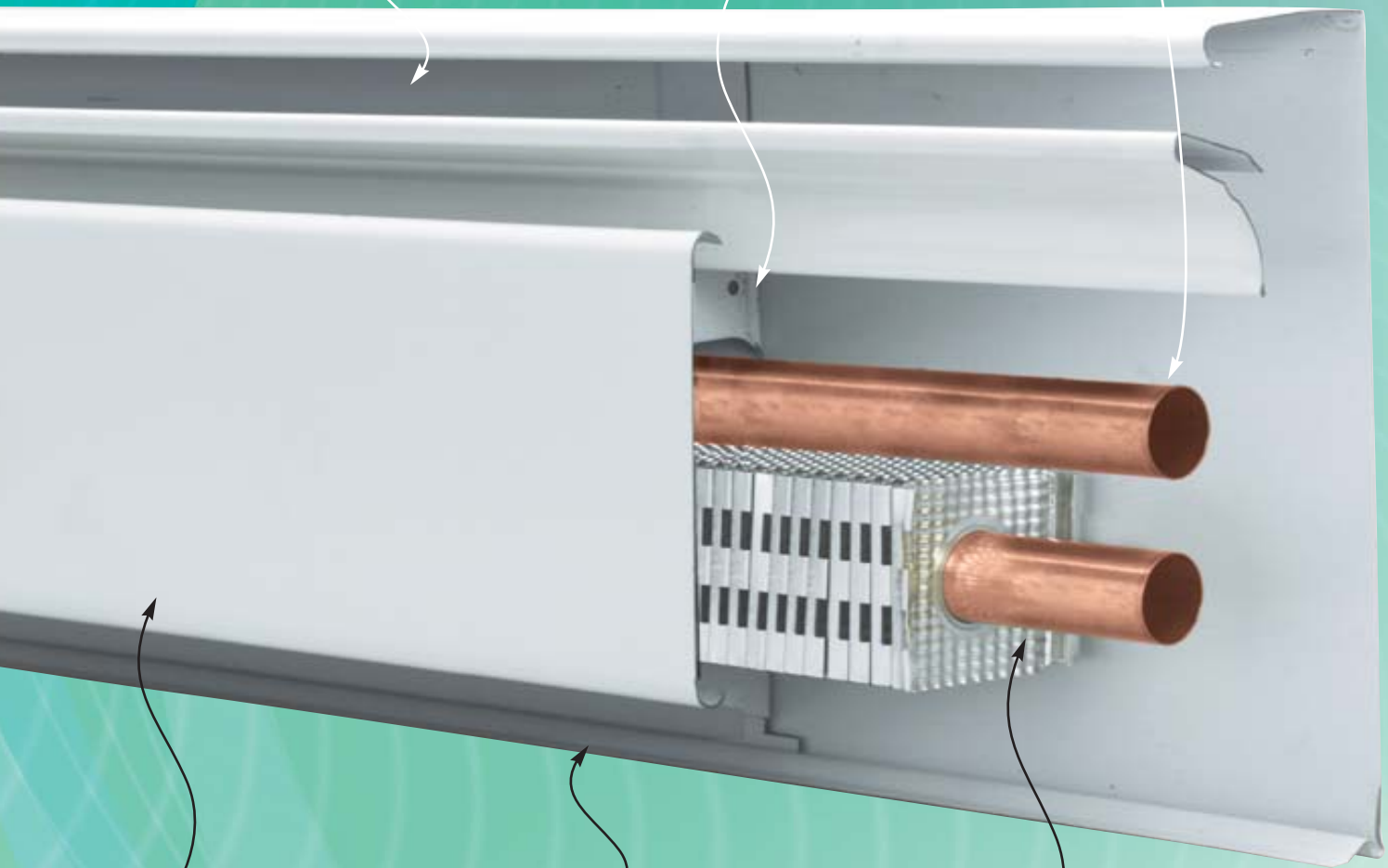
Thermodynamic design optimizes convection with finger-tip control.

CLIP-ON HANGERS

Perfectly align finned element and return pipe. Simply clip into slots in back panel.

RETURN TUBE

Includes provision for return tube hangers and a return tube when needed.



HEAVY DUTY COLD ROLLED STEEL COVER

Classic white pre-painted finish.

COVE BOTTOM

No need for floor moldings with easy-to-clean curved-base back panel.

PRESS-FIT FINS

Aluminum fins individually bonded to copper tube remain tight if cutting is required.

Today's most advanced baseboard design

Superior performance, durability and ease of installation are combined to make Lo-Trim II the choice in hydronic baseboard heating. Less than 8" high, the Lo-Trim II's attractive slim low-profile design will provide exceptional comfort and style to any room. The Lo-Trim II is constructed using heavy gauge steel for years of trouble-free service. A full line of matching snap-on accessories offers easy installation flexibility.

HEAVY DUTY STEEL COVER

The pre-painted white cold-rolled steel cover is attractive and rugged enough for any application. Cover snaps on and off for easy installation and cleaning.

COVE BOTTOM

The reverse curve feature of the Lo-Trim II back panel eliminates the need for molding strips when finishing floors to the wall. Rounded bottom prevents dirt accumulation, making cleaning easy.

CLIP-ON HANGERS

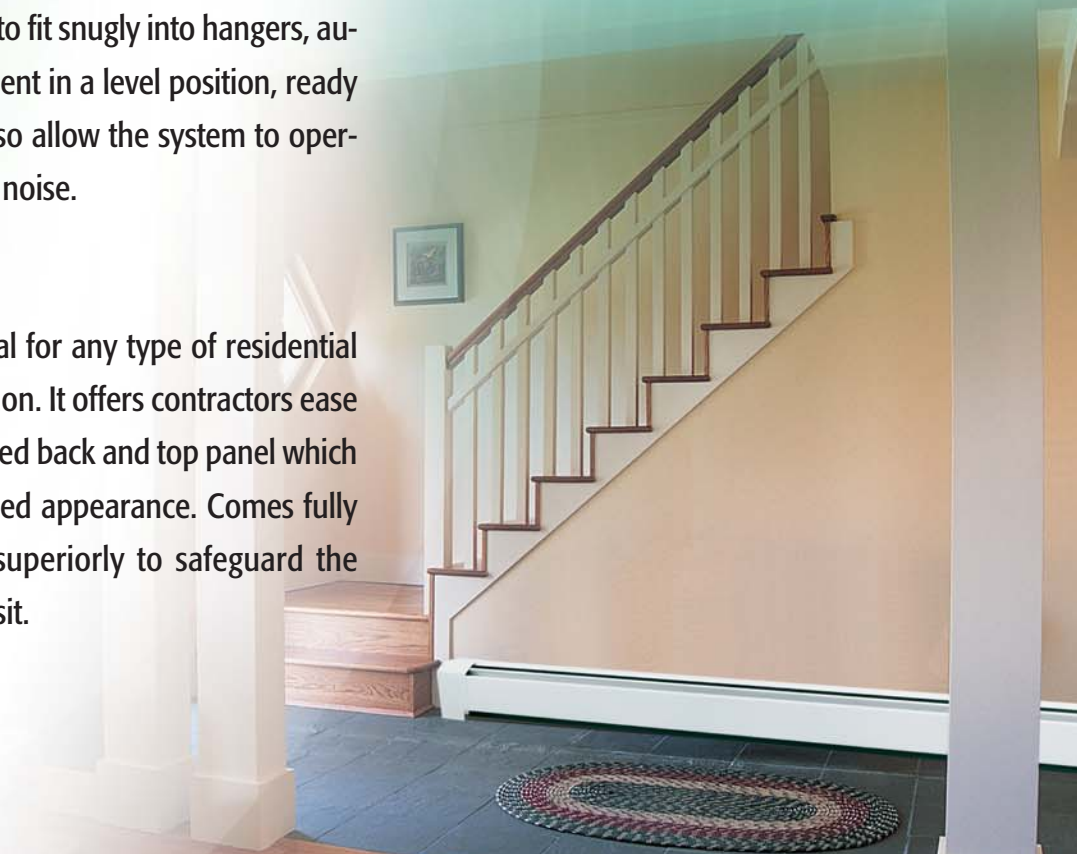
Galvanized steel hangers simply clip into a channel on the one-piece back panel. Plastic cradles snap on to the heating element, allowing it to fit snugly into hangers, automatically placing the element in a level position, ready for sweating. The cradles also allow the system to operate with minimal expansion noise.

EASY TO INSTALL

Lo-Trim II baseboard is ideal for any type of residential or light commercial installation. It offers contractors ease of installation with a combined back and top panel which ensures a perfect, streamlined appearance. Comes fully assembled and packaged superiorly to safeguard the entire assembly during transit.


Sleek Lo-Profile Design Provides Comfort with Style In Any Room.

The Lo-Trim II's installation flexibility and BTU output range is the perfect match for residential hydronic heating installations.




Lo-Trim II Accessories

A complete line of matching accessories designed for quick and easy snap-on installation. The right piece for any job.



End Caps
3" left or right end caps that extend to the floor.




Inside Corners
available in 90° and 135° angles.



Hinged Valve Enclosure
left or right 4" end caps extend to the floor.



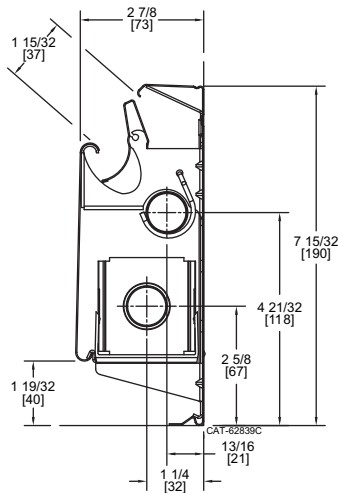
Outside Corners
available in 90° and 135° angles.



3 Piece Splice
2" Joining piece set, 7" Filler piece set, 14" Filler piece set. Each set contains 3 pieces.



Wall Ends
Wall ends available in 3".



DIMENSIONS IN "I" ARE SHOWN IN MILLIMETERS.

Single Element Lo-Trim II Hot Water Ratings BTU per hour per linear foot of active (finned) length (with damper).

AVERAGE HOT WATER TEMPERATURE °F – BTU/Hr./Linear Ft.

| | | 140° | 150° | 160° | 170° | 180° | 190° | 200° | 210° | 220° |
|------|------|------|------|------|------|------|------|------|------|------|
| 1/2" | 4GPM | 330 | 390 | 450 | 520 | 590 | 670 | 740 | 820 | 900 |
| | 1GPM | 310 | 370 | 430 | 490 | 560 | 630 | 700 | 780 | 850 |
| 3/4" | 4GPM | 320 | 380 | 440 | 510 | 570 | 630 | 710 | 770 | 840 |
| | 1GPM | 300 | 360 | 420 | 480 | 540 | 600 | 670 | 730 | 790 |

The use of Rating @ 4GPM is limited to installations where flow rate is known to be equal to or greater than 4 GPM. If flow rate is unknown, use 1 GPM rating.

Ratings include 15% addition to water heat capacity.

Hot water ratings shown are at the STANDARD WATER FLOW RATE of 500 lb/hr (1GPM) and 2,000 lbs/hr (4GPM) with 65° entering air temperature.

Friction loss through Argo Baseboard unit at 1 GPM (500 lbs/hr) is 47 MIL-INCHES per foot and at 4 GPM (2000 lbs/hr) is 525 MIL-INCHES PER FOOT.

Rating base on active length. Difference between active and total length is 3".

Aluminum fins are 2-1/8" x 2-1/8" x .008" thick, spaced 51 per foot (un-painted).

ARGO BASEBOARD

260 North Elm Street • Westfield, MA 01085
Tel: (413) 564-5975 • Fax: (413) 572-3764

