



LD141 / WD141 SERIES

General Purpose Butterfly Valves

Job Name:	Contractor:
Job Location:	P.O. Number:
Engineer:	Representative:
Tag:	Wholesale Distributor:

DESCRIPTION

The Apollo® LD141/WD141 Series Ductile Iron Butterfly Valves are ideal for use in Industrial and HVAC/Mechanical applications. The WD141 Series is a wafer style valve and the LD141 Series is a companion lug style.

FEATURES

- Compatible with ANSI 125# & 150# Flanges
- ISO 5211 Top Plate Allows Choice of Apollo® Pneumatic Actuators and manual operators
- Optional square drive shaft for direct mounting actuators (2"-12")
- Conforms to MSS SP-67 & API 609
- LD141 Series Suitable for End of Line Service to Rated Pressure
- 3" -24" meet performance requirements of AWWA C-504

STANDARD MATERIALS

Body Ductile Iron ASTM A536
 Bushings PTFE
 Stem Seal Buna-N
 Shaft 416 SS ASTM A276 Type 416

PRESSURE RATINGS

- 2" to 12": 200 psi
- 14" to 24": 150 psi



MATERIAL OPTIONS

Body

- Ductile Iron ASTM A536, (65-45-12)

Disc Material

- Aluminum Bronze
 Ductile Iron A536 Nickel Plated
 Stainless Steel, CF8M

Seat Material

- EPDM: -30°F to +275°F
 BUNA-N: +10°F to +180°F

Operator

- 0 - None
 -1 - 10 Position Handle
 -2 - Gear Operator
 -3 - Infinite Position Handle
 -4 - Locking Handle
 -5 - Gear Operator w/ Chain Wheel
 -7 - Locking Gear Operator
 -8 - Locking Gear Operator w/ Chain Wheel

*TORQUE RATING (INCH-LBS)						FLOW Cv Full Open
Valve Size		Full Rated Pressures (psi)				
IN.	MM	ΔP 50	ΔP 100	ΔP 150	ΔP 200	
2	50	100	106	11	117	115
2.5	65	150	163	176	189	196
3	80	207	220	232	244	302
4	100	290	323	357	390	600
5	125	423	481	540	598	1022
6	150	599	691	783	875	1579
8	200	1060	1183	1307	1430	3136
10	250	1671	1872	2074	2275	5340
12	300	2568	2795	3023	3250	8250
14	350	2640	3070	3500	N/A	11917
16	400	4260	4880	5500	N/A	16388
18	450	6287	7243	8200	N/A	21705
20	500	8360	9180	10000	N/A	27908
24	600	15427	16813	18200	N/A	43116

VALVE		WEIGHT (LBS)	
IN.	MM	WD141 SERIES	LD141 SERIES
2	50	6	9
2.5	65	8	10
3	80	9	11
4	100	11	18
5	125	15	22
6	150	18	26
8	200	32	43
10	250	47	66
12	300	-	102
14	350	-	148
16	400	-	206
18	450	-	277
20	500	-	410
24	600	-	592

* Lubricating media service

Conbraco Industries, Inc. 701 Matthews Mint Hill Rd. Matthews NC 28106 USA; www.apollovalves.com ; 704-841-6000

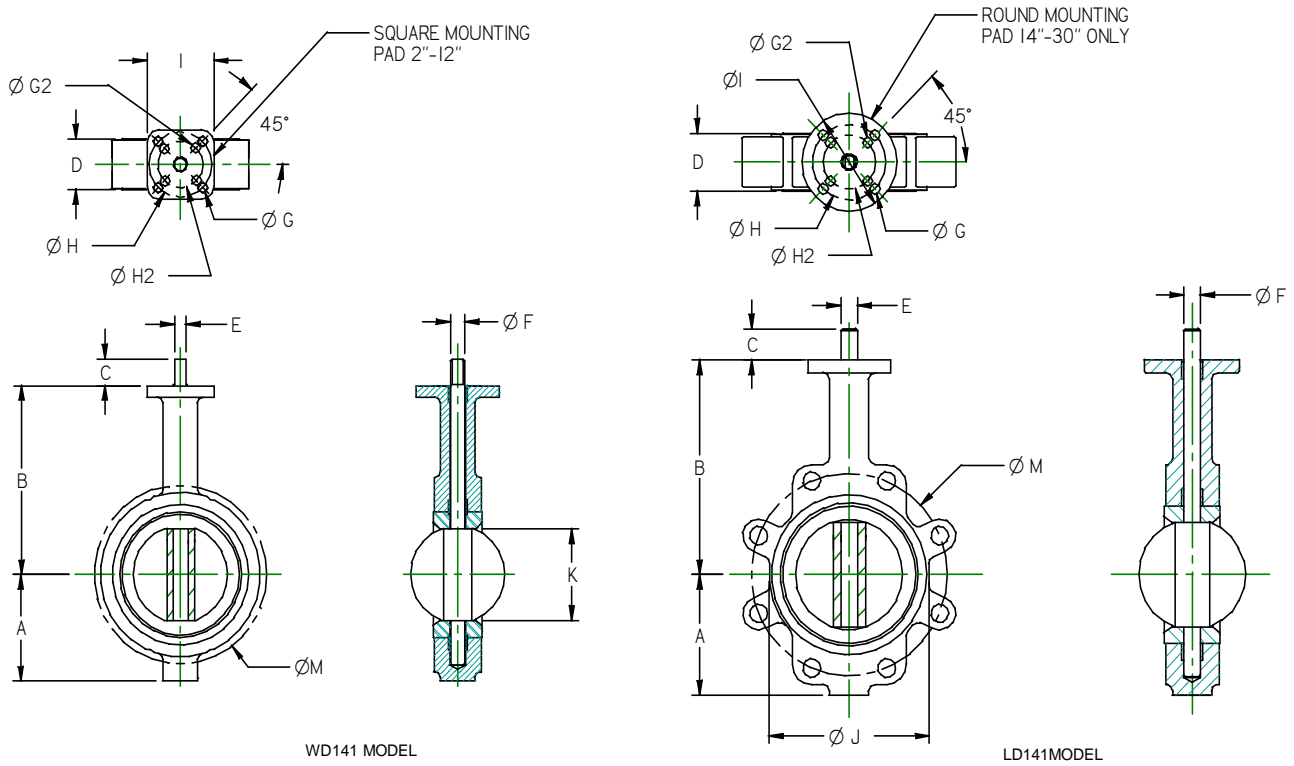
This specification is provided for reference only. Conbraco reserves the right to change any portion of this specification without notice and without incurring obligation to make such changes to Conbraco products previously or subsequently sold.



LD141/WD141 SERIES

General Purpose
Butterfly Valves

DIMENSIONS



DOUBLE-D AND KEYED STEM

(IN)	(MM)	A	B	C	D	E	ØF	G	G2	KEY	H	H2	I	J	K	L	N (WD141)	M
2	50	3.25	6.375	1.25	1.75	0.394	0.496	0.375	--	--	2.756	--	2.699	4	2.09	1.113	0.688	4.75
2.5	65	3.75	6.880	1.25	1.88	0.394	0.496	0.375	--	--	2.756	--	2.699	4.75	2.54	1.706	0.688	5.50
3	80	4.00	7.130	1.25	1.88	0.394	0.496	0.375	--	--	2.756	--	2.699	5.13	3.09	2.450	0.688	6.00
4	100	4.88	7.880	1.25	2.13	0.472	0.621	0.375	--	--	2.756	--	2.699	6.75	4.09	3.488	0.688	7.50
5	125	5.38	8.380	1.25	2.25	0.551	0.745	0.375	--	--	2.756	--	2.699	7.75	4.85	4.296	0.813	8.50
6	150	5.88	8.880	1.25	2.25	0.551	0.745	0.375	--	--	2.756	--	2.699	8.63	6.13	5.697	0.813	9.50
8	200	7.13	10.250	1.75	2.50	0.669	0.870	0.563	0.438	--	4.921	4.015	4.606	10.56	7.89	7.468	0.813	11.75
10	250	8.25	11.500	1.88	2.75	0.866	1.120	0.563	0.438	--	4.921	4.015	4.606	13.06	9.89	9.484	0.938	14.25
12	300	9.75	13.250	1.88	3.13	0.866	1.244	0.563	--	--	4.921	--	4.606	16	11.89	11.456	0.938	17.00
14	350	11.00	14.500	1.88	3.13	0.945	1.244	0.563	--	--	4.921	--	Ø5.91	17.13	13.38	13.000	1.060	18.75
16	400	12.00	15.750	2.00	3.50	--	1.313	0.563	--	0.313	4.921	--	Ø5.91	20	15.38	14.970	1.060	21.25
18	450	14.38	16.630	2.00	4.25	--	1.500	0.813	--	0.375	6.496	--	Ø8.27	21.38	17.38	16.847	1.250	22.75
20	500	14.63	18.880	2.50	5.25	--	1.625	0.813	--	0.375	6.496	--	Ø8.27	23.31	19.38	18.650	1.250	25.00
24	600	18.00	22.130	2.75	6.13	--	2.000	0.813	--	0.500	6.496	--	Ø8.27	27.88	23.38	22.558	1.380	29.50

Conbraco Industries, Inc. 701 Matthews Mint Hill Rd. Matthews NC 28106 USA; www.Apollovalves.com.com ; 704-841-6000

This specification is provided for reference only. Conbraco reserves the right to change any portion of this specification without notice and without incurring obligation to make such changes to Conbraco products previously or subsequently sold.