

AMERICAN AVK STAINLESS STEEL, UL LISTED, WET BARREL HYDRANT

Meets or exceeds AWWA C503 (latest) - Working Pressure - 200 PSI

**244X/245X
WET STAINLESS**

Use:

For water and neutral liquids to maximum 160°F.

Tests:

Hydraulic test to AWWA C503:
Shell Test: 400 PSI

Options:

Break Flange
Hydrant Check Valve (FlowGuard II ®)
Storz Nozzles, 2½" through 5"
6, or 8 bolt flange mounting patterns.

Approvals:
UL Listed,

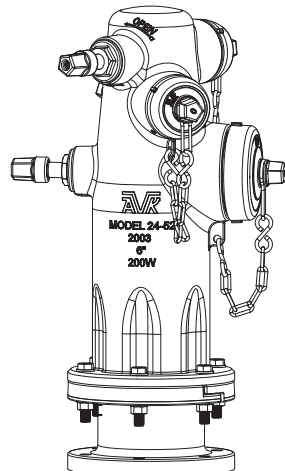


Standard Materials:

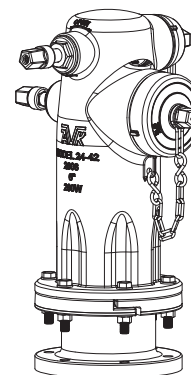
Nozzle Section	Cast 304 stainless steel CF-8 ASTM A351
Caps, Dummy Nuts	Cast iron ASTM A126 class B
Stems, Nozzles, Stem Nuts Thrust Nuts,	Bronze
Valve Discs	Bronze encapsulated with Nitrile Rubber
O-rings,	NBR
Cap Gaskets	Neoprene rubber
Nozzle Retainer Screws Thrust Collars	Stainless Steel
Cap Chains	Zinc Plated Steel
Coating	Electrostatically applied fusion-bonded epoxy- resin

Note: Nozzles, Stem Nuts and Stem Seals field replaceable

Pumper Nozzles interchangeable from 4" to 5"



Series 245X
2 Pumper, 1 Hose Outlet *



Series 244X
1 Pumper, 1 Hose Outlet *

* Shown with optional Breakable Flange Assemblies
Note: All configurations supplied with 6 - 3/4" holes at 9 3/8" pitch diameter.
Breakable Flange Assemblies with 6" ANSI Standard 8 hole configuration are available as an option.



American AVK Company
an ISO 9001-2000 registered company

DS S242X/245X WET STAINLESS
Subject to change without notice. (rev. 01/09)

AMERICAN AVK STAINLESS STEEL, UL LISTED, WET BARREL HYDRANT

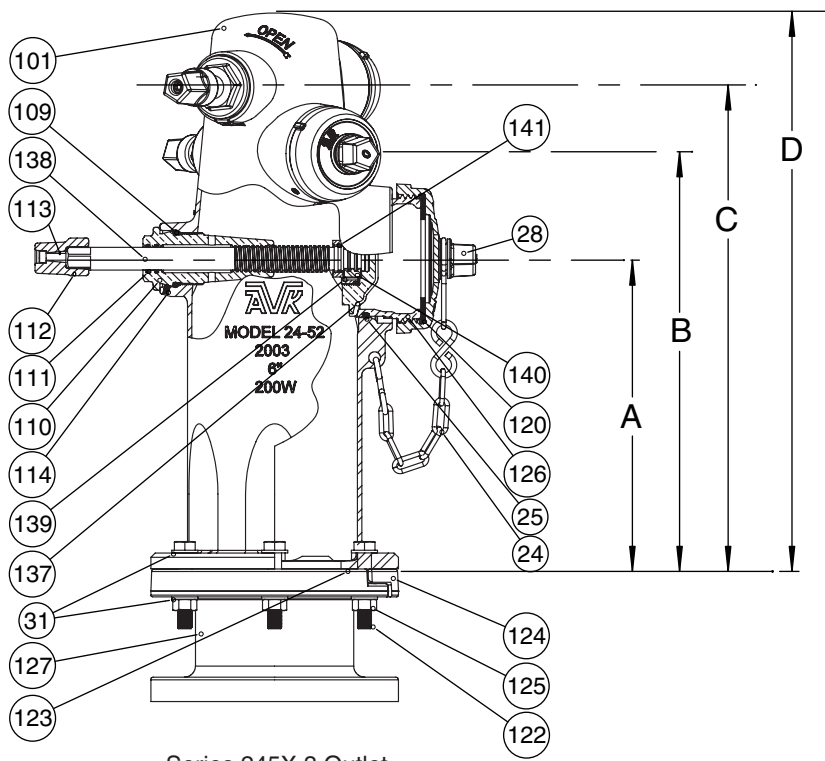
244X/245X

Meets or exceeds AWWA C503 (latest) - Working Pressure - 200 PSI

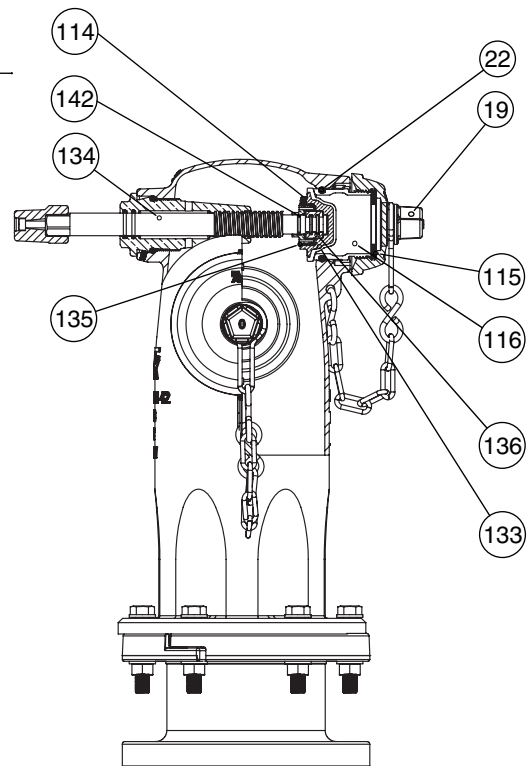
WET STAINLESS

Component List:

- | | | |
|--|-------------------------------|--------------------------------|
| 19. Hose Nozzle Cap | 112. Dummy Nut | 127. Wet Barrel Flange Section |
| 22. Hose Nozzle O-Ring | 113. Dummy Nut Retaining Bolt | 133. 2.5" Valve Disc |
| 23. Nozzle Retaining Screw (not shown) | 114. Stem Nut Retaining Screw | 134. 2.5" Valve Stem |
| 24. Chain Set | 115. Hose Nozzle Cap Gasket | 135. 2.5" Thrust Nut |
| 25. Pumper Nozzle O-Ring | 116. Hose Nozzle | 136. 2.5" Thrust Collar |
| 28. Pumper Cap | 120. Pumper Cap Gasket | 137. 4.5" Valve Disc |
| 31. Nozzle Section Washer | 122. Nozzle Section Bolt | 138. 4.5" Valve Stem |
| 101. Nozzle Section | 123. Wet Barrel Flange O-Ring | 139. 4.5" Thrust Nut |
| 109. Outer Stem Nut O-ring | 124. Break Ring | 140. 4.5" Thrust Collar |
| 110. Stem Nut | 125. Nozzle Section Nut | 141. 4.5" Thrust Nut O-ring |
| 111. Inner Stem Nut O-Ring | 126. Pumper Nozzle | 142. 2.5" Thrust Nut O-ring |



Series 245X 3 Outlet



Series 244X 2 Outlet

Ref No.	Outlets	A	B	C	D	Weights (lbs)
24-150-4X	1x2.5", 1x4"/4.5"	14"	18.75"	-	21.50"	101
24-150-5X	2x2.5", 1x4"/4.5"	14"	18.75"	21.75"	25.00"	101

With optional factory assembled breakable unit, add 42 lbs. to shipping weight.

Note: 2442,2452 configurations supplied with 6 - 3/4" holes at 9 3/8" pitch diameter, to AWWA C503 specifications.

2443,2453 configurations supplied with 6 - 7/8" holes at 9 1/2" pitch diameter, to San Diego specifications.

2444,2454 configurations supplied with 8 - 7/8" holes at 9 1/2" pitch diameter, to ANSI B16.1-1975 class 125 specifications.

Breakable Flange Assemblies are available with the above bolting options.

