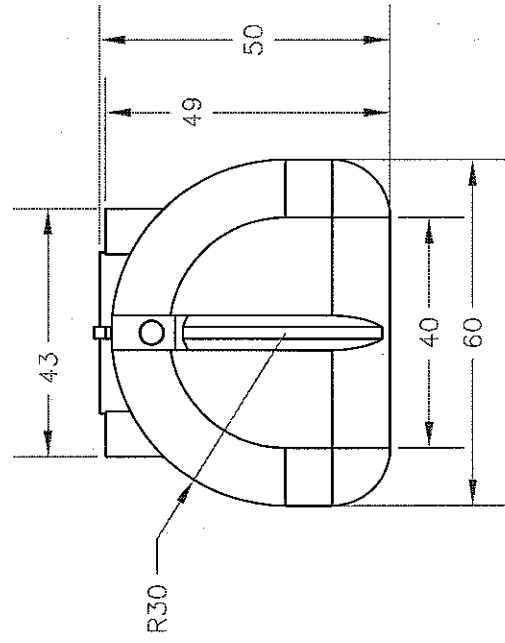
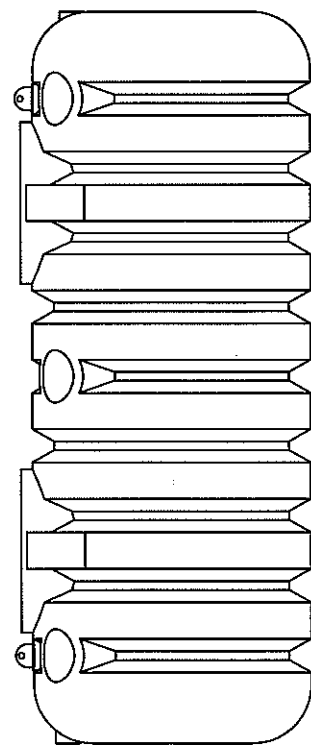
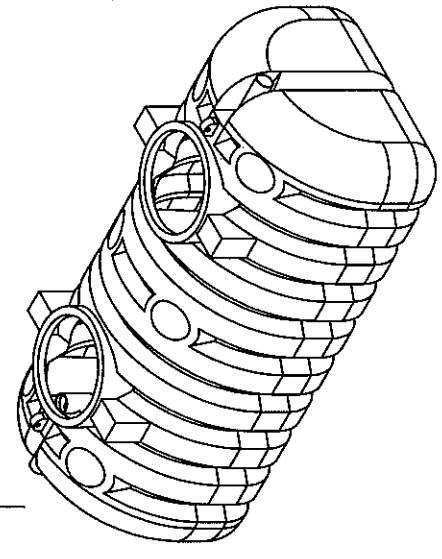
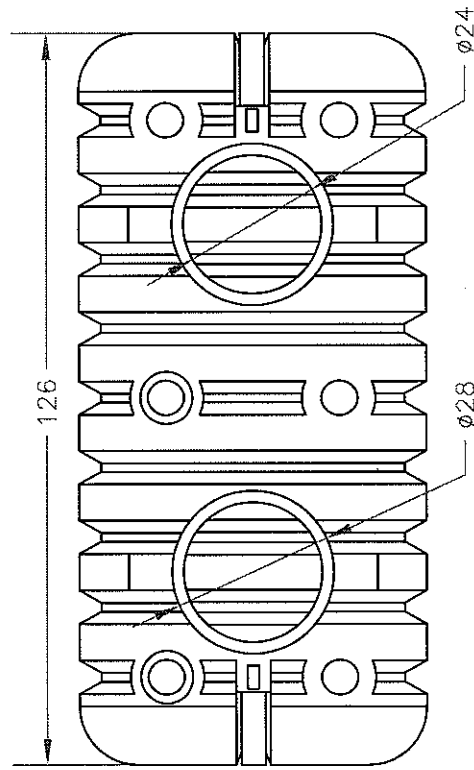


REVISIONS			
ZONE	REV	DESCRIPTION	DATE



<b>NORWESCO</b>		ST. BONIFACIUS, MN	
1050 GALLON SEPTIC TANK			
SIZE	FSCM NO.	DWG NO.	REV
JTP	31JAN06	B	
SCALE 1/24		SHEET	