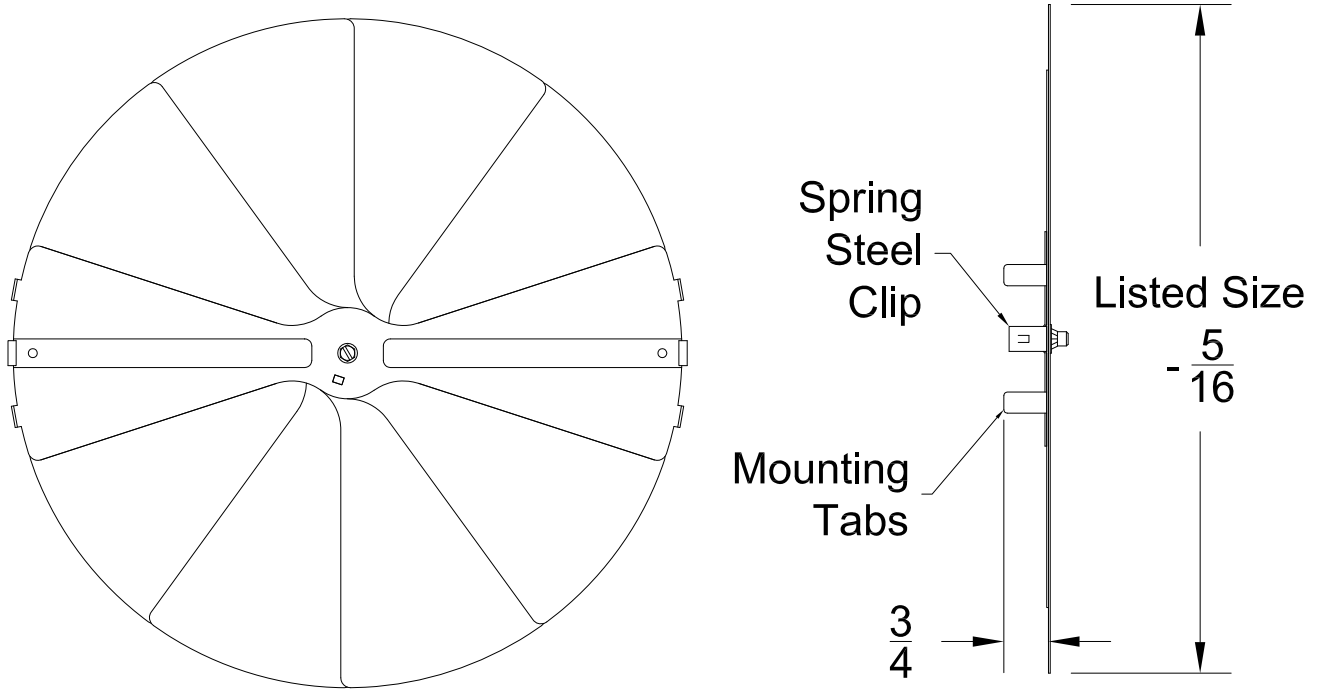


Tag:
Series : PS RAD



Accessories
Radial Dampers

Models: PS-RSD Galvanized Steel - Radial Shutter Damper



Available Sizes
U = 6
X = 8
10
12

Notes: (check if provided)

1. Available Finishes	2. Construction Details
<input type="checkbox"/> All steel dampers are shipped mill galvanized finish.	<ul style="list-style-type: none"> • Coated Steel Construction • 5 Radial Style Blades. • Blades are adjusted through diffuser face. • Mounting tabs permit easy attachment to ceiling diffusers