



INDUSTRIAL SPIRAL PIPE SUPPLY GRILLE

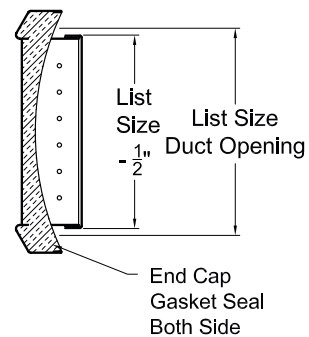
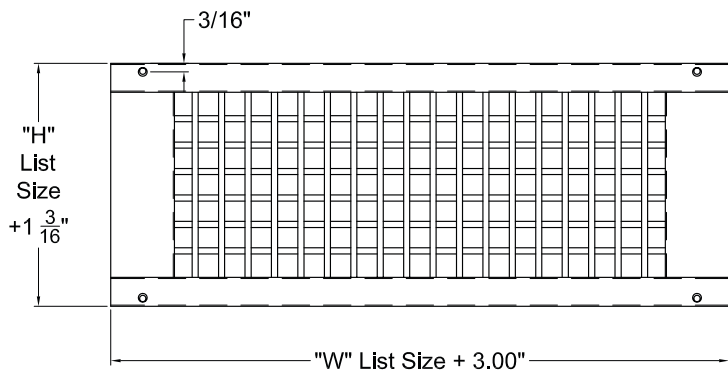
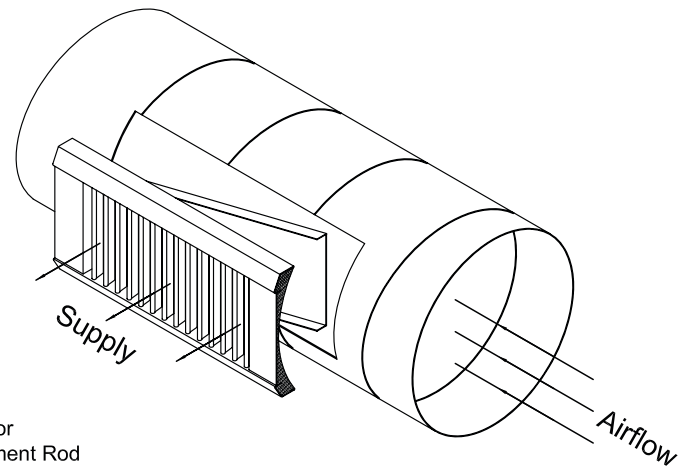
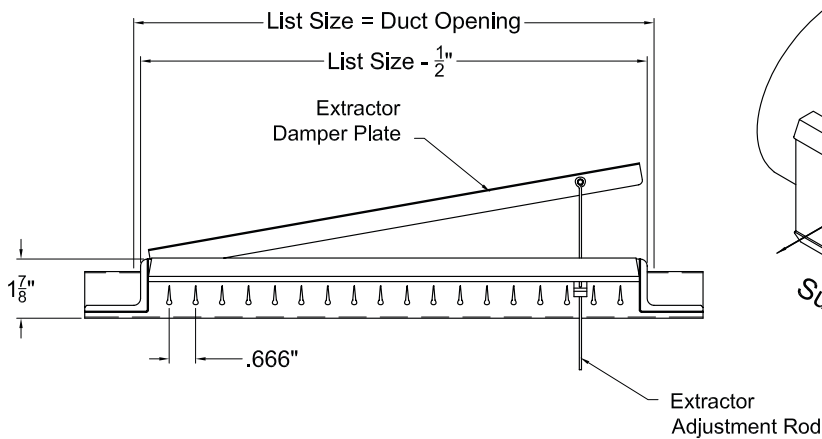
Product Features

- Galvanized steel Double Deflection Grille
- Vertical front blades

PSGDDSD Series

Scoop Information

- Sizes up to 17" in length have 1 Scoop
- Sizes from 18" to 36" have 2 Scoops
- Sizes larger than 36" have 3 Scoops



Codes and Approvals

Valve boxes conform to ASTM A-48, Grade 30B; Asphaltic varnish conforms to AWWA C-104.