

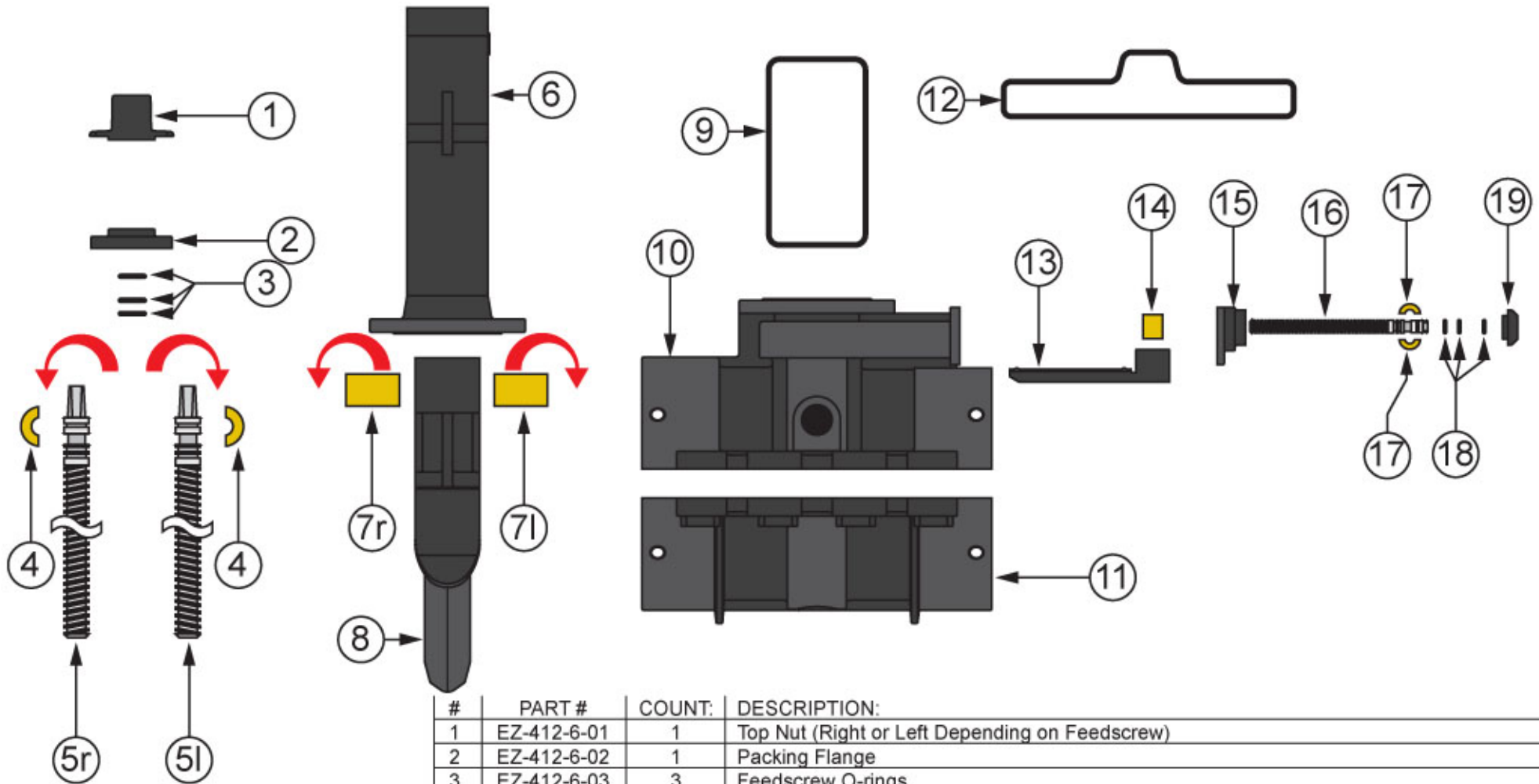
#	PART #	COUNT:	DESCRIPTION:
1	EZ-412-4-01	1	Top Nut (Right or Left Depending on Feedscrew)
2	EZ-412-4-02	1	Packing Flange
3	EZ-412-4-03	3	Feedscrew O-rings
4	EZ-412-4-04	2	Feedscrew Shaft Collar
5r	EZ-412-4-05-R	1	Feedscrew (OPEN RIGHT)
5l	EZ-412-4-05-L	1	Feedscrew (OPEN LEFT)
6	EZ-412-4-06	1	Bonnet
7r	EZ-412-4-07-R	1	Feedscrew Nut (OPEN RIGHT)
7l	EZ-412-4-07-L	1	Feedscrew Nut (OPEN LEFT)
8	EZ-412-4-08	1	Gate
9	EZ-412-4-09	1	Housing A Top O-ring
10	EZ-412-4-10	1	Housing A
11	EZ-412-4-11	1	Housing B
12	EZ-412-4-12	1	Isolation Gate Bonnet O-ring
13	EZ-412-4-13	1	Isolation Gate
14	EZ-412-4-14	1	Isolation Gate Feedscrew Nut
15	EZ-412-4-15	1	Isolation Gate Bonnet
16	EZ-412-4-16	1	Isolation Gate Feedscrew
17	EZ-412-4-17	2	Isolation Gate Feedscrew Shaft Collar
18	EZ-412-4-18	3	Isolation Gate Feedscrew O-rings
19	EZ-412-4-19	1	Isolation Gate Packing Flange



ADVANCED VALVE TECHNOLOGIES

EZ VALVE PARTS LIST

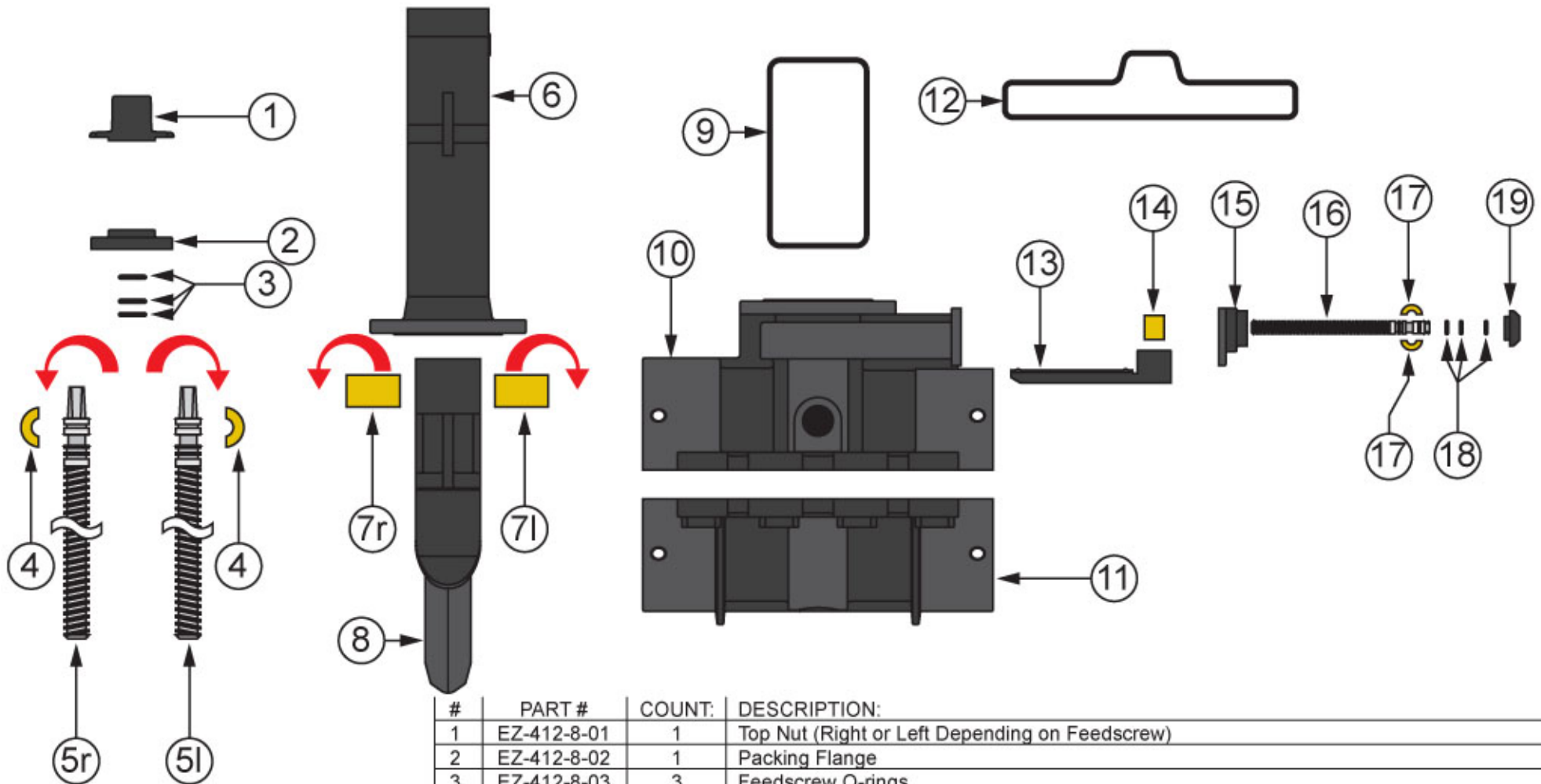
4"



#	PART #	COUNT:	DESCRIPTION:
1	EZ-412-6-01	1	Top Nut (Right or Left Depending on Feedscrew)
2	EZ-412-6-02	1	Packing Flange
3	EZ-412-6-03	3	Feedscrew O-rings
4	EZ-412-6-04	2	Feedscrew Shaft Collar
5r	EZ-412-6-05-R	1	Feedscrew (OPEN RIGHT)
5l	EZ-412-6-05-L	1	Feedscrew (OPEN LEFT)
6	EZ-412-6-06	1	Bonnet
7r	EZ-412-6-07-R	1	Feedscrew Nut (OPEN RIGHT)
7l	EZ-412-6-07-L	1	Feedscrew Nut (OPEN LEFT)
8	EZ-412-6-08	1	Gate
9	EZ-412-6-09	1	Housing A Top O-ring
10	EZ-412-6-10	1	Housing A
11	EZ-412-6-11	1	Housing B
12	EZ-412-6-12	1	Isolation Gate Bonnet O-ring
13	EZ-412-6-13	1	Isolation Gate
14	EZ-412-6-14	1	Isolation Gate Feedscrew Nut
15	EZ-412-6-15	1	Isolation Gate Bonnet
16	EZ-412-6-16	1	Isolation Gate Feedscrew
17	EZ-412-6-17	2	Isolation Gate Feedscrew Shaft Collar
18	EZ-412-6-18	3	Isolation Gate Feedscrew O-rings
19	EZ-412-6-19	1	Isolation Gate Packing Flange

EZ VALVE PARTS LIST

6"



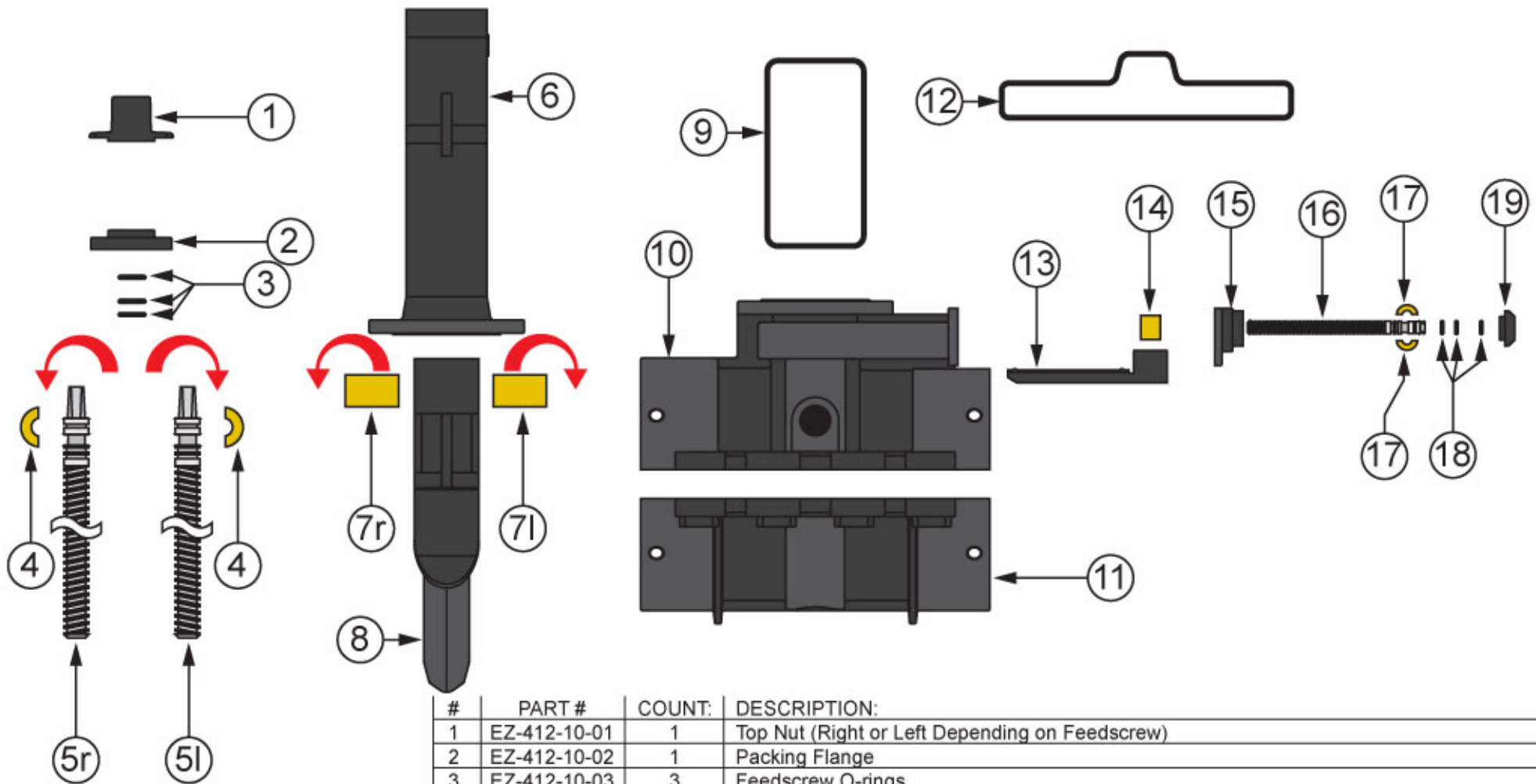
#	PART #	COUNT:	DESCRIPTION:
1	EZ-412-8-01	1	Top Nut (Right or Left Depending on Feedscrew)
2	EZ-412-8-02	1	Packing Flange
3	EZ-412-8-03	3	Feedscrew O-rings
4	EZ-412-8-04	2	Feedscrew Shaft Collar
5r	EZ-412-8-05-R	1	Feedscrew (OPEN RIGHT)
5l	EZ-412-8-05-L	1	Feedscrew (OPEN LEFT)
6	EZ-412-8-06	1	Bonnet
7r	EZ-412-8-07-R	1	Feedscrew Nut (OPEN RIGHT)
7l	EZ-412-8-07-L	1	Feedscrew Nut (OPEN LEFT)
8	EZ-412-8-08	1	Gate
9	EZ-412-8-09	1	Housing A Top O-ring
10	EZ-412-8-10	1	Housing A
11	EZ-412-8-11	1	Housing B
12	EZ-412-8-12	1	Isolation Gate Bonnet O-ring
13	EZ-412-8-13	1	Isolation Gate
14	EZ-412-8-14	1	Isolation Gate Feedscrew Nut
15	EZ-412-8-15	1	Isolation Gate Bonnet
16	EZ-412-8-16	1	Isolation Gate Feedscrew
17	EZ-412-8-17	2	Isolation Gate Feedscrew Shaft Collar
18	EZ-412-8-18	3	Isolation Gate Feedscrew O-rings
19	EZ-412-8-19	1	Isolation Gate Packing Flange



ADVANCED VALVE TECHNOLOGIES

EZ VALVE PARTS LIST

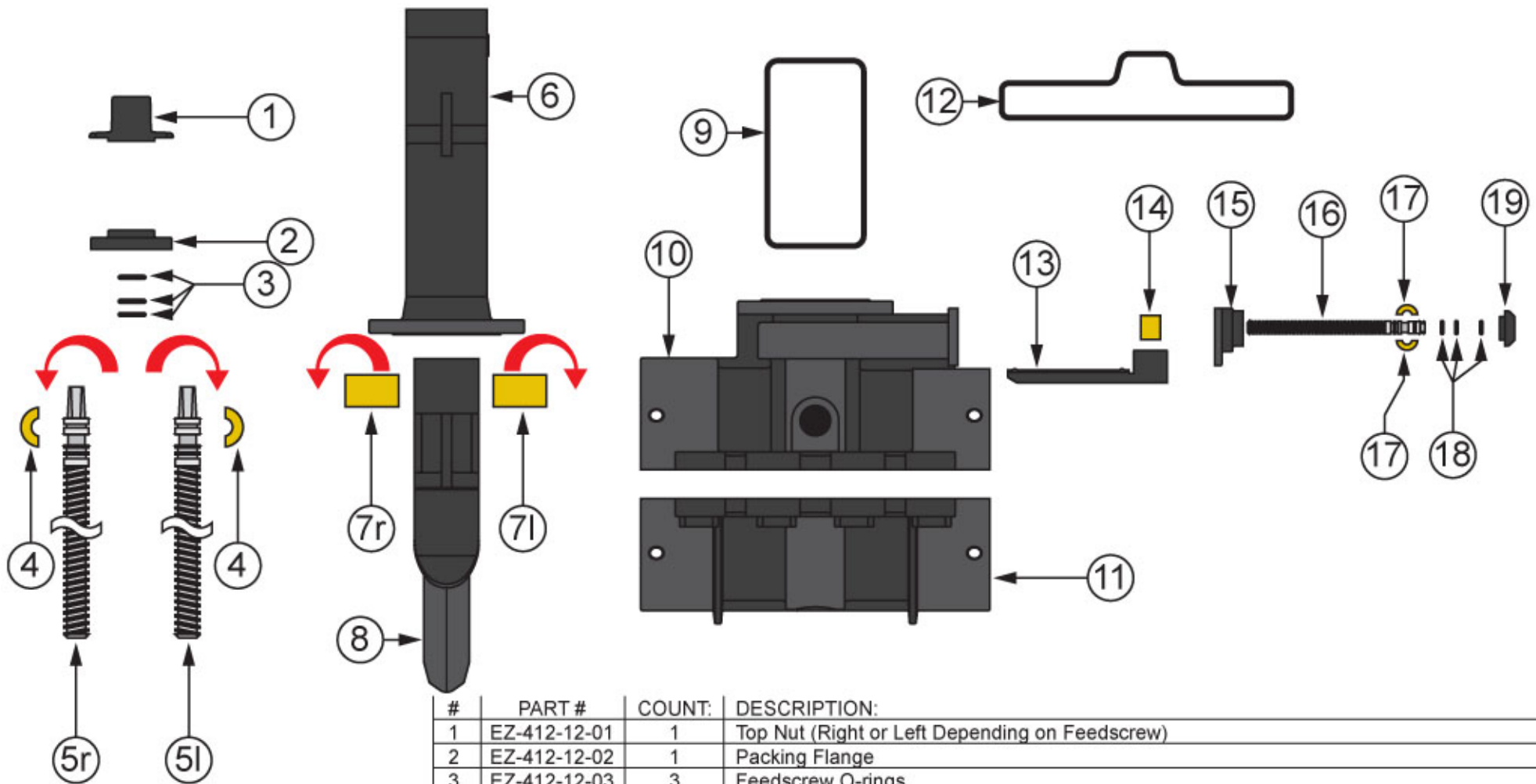
8"



#	PART #	COUNT:	DESCRIPTION:
1	EZ-412-10-01	1	Top Nut (Right or Left Depending on Feedscrew)
2	EZ-412-10-02	1	Packing Flange
3	EZ-412-10-03	3	Feedscrew O-rings
4	EZ-412-10-04	2	Feedscrew Shaft Collar
5r	EZ-412-10-05-R	1	Feedscrew (OPEN RIGHT)
5l	EZ-412-10-05-L	1	Feedscrew (OPEN LEFT)
6	EZ-412-10-06	1	Bonnet
7r	EZ-412-10-07-R	1	Feedscrew Nut (OPEN RIGHT)
7l	EZ-412-10-07-L	1	Feedscrew Nut (OPEN LEFT)
8	EZ-412-10-08	1	Gate
9	EZ-412-10-09	1	Housing A Top O-ring
10	EZ-412-10-10	1	Housing A
11	EZ-412-10-11	1	Housing B
12	EZ-412-10-12	1	Isolation Gate Bonnet O-ring
13	EZ-412-10-13	1	Isolation Gate
14	EZ-412-10-14	1	Isolation Gate Feedscrew Nut
15	EZ-412-10-15	1	Isolation Gate Bonnet
16	EZ-412-10-16	1	Isolation Gate Feedscrew
17	EZ-412-10-17	2	Isolation Gate Feedscrew Shaft Collar
18	EZ-412-10-18	3	Isolation Gate Feedscrew O-rings
19	EZ-412-10-19	1	Isolation Gate Packing Flange

EZ VALVE PARTS LIST

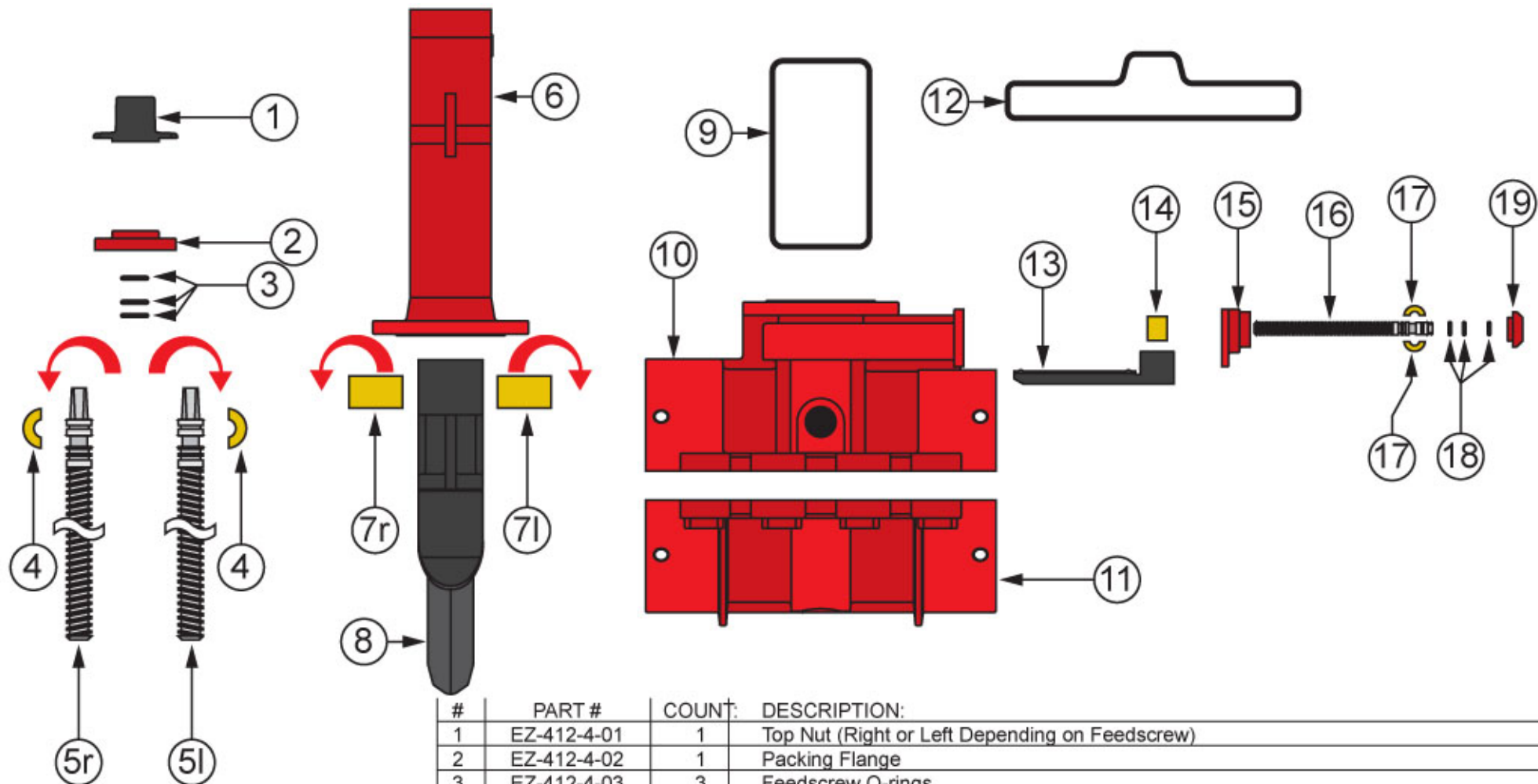
10"



#	PART #	COUNT:	DESCRIPTION:
1	EZ-412-12-01	1	Top Nut (Right or Left Depending on Feedscrew)
2	EZ-412-12-02	1	Packing Flange
3	EZ-412-12-03	3	Feedscrew O-rings
4	EZ-412-12-04	2	Feedscrew Shaft Collar
5r	EZ-412-12-05-R	1	Feedscrew (OPEN RIGHT)
5l	EZ-412-12-05-L	1	Feedscrew (OPEN LEFT)
6	EZ-412-12-06	1	Bonnet
7r	EZ-412-12-07-R	1	Feedscrew Nut (OPEN RIGHT)
7l	EZ-412-12-07-L	1	Feedscrew Nut (OPEN LEFT)
8	EZ-412-12-08	1	Gate
9	EZ-412-12-09	1	Housing A Top O-ring
10	EZ-412-12-10	1	Housing A
11	EZ-412-12-11	1	Housing B
12	EZ-412-12-12	1	Isolation Gate Bonnet O-ring
13	EZ-412-12-13	1	Isolation Gate
14	EZ-412-12-14	1	Isolation Gate Feedscrew Nut
15	EZ-412-12-15	1	Isolation Gate Bonnet
16	EZ-412-12-16	1	Isolation Gate Feedscrew
17	EZ-412-12-17	2	Isolation Gate Feedscrew Shaft Collar
18	EZ-412-12-18	3	Isolation Gate Feedscrew O-rings
19	EZ-412-12-19	1	Isolation Gate Packing Flange

EZ VALVE PARTS LIST

12"



#	PART #	COUNT	DESCRIPTION:
1	EZ-412-4-01	1	Top Nut (Right or Left Depending on Feedscrew)
2	EZ-412-4-02	1	Packing Flange
3	EZ-412-4-03	3	Feedscrew O-rings
4	EZ-412-4-04	2	Feedscrew Shaft Collar
5r	EZ-412-4-05-R	1	Feedscrew (OPEN RIGHT)
5l	EZ-412-4-05-L	1	Feedscrew (OPEN LEFT)
6	EZ-412-4-06	1	Bonnet
7r	EZ-412-4-07-R	1	Feedscrew Nut (OPEN RIGHT)
7l	EZ-412-4-07-L	1	Feedscrew Nut (OPEN LEFT)
8	EZ-412-4-08	1	Gate
9	EZ-412-4-09	1	Housing A Top O-ring
10	EZ-412-AC-4-10	1	Housing A
11	EZ-412-AC-4-11	1	Housing B
12	EZ-412-4-12	1	Isolation Gate Bonnet O-ring
13	EZ-412-4-13	1	Isolation Gate
14	EZ-412-4-14	1	Isolation Gate Feedscrew Nut
15	EZ-412-4-15	1	Isolation Gate Bonnet
16	EZ-412-4-16	1	Isolation Gate Feedscrew
17	EZ-412-4-17	2	Isolation Gate Feedscrew Shaft Collar
18	EZ-412-4-18	3	Isolation Gate Feedscrew O-rings
19	EZ-412-4-19	1	Isolation Gate Packing Flange

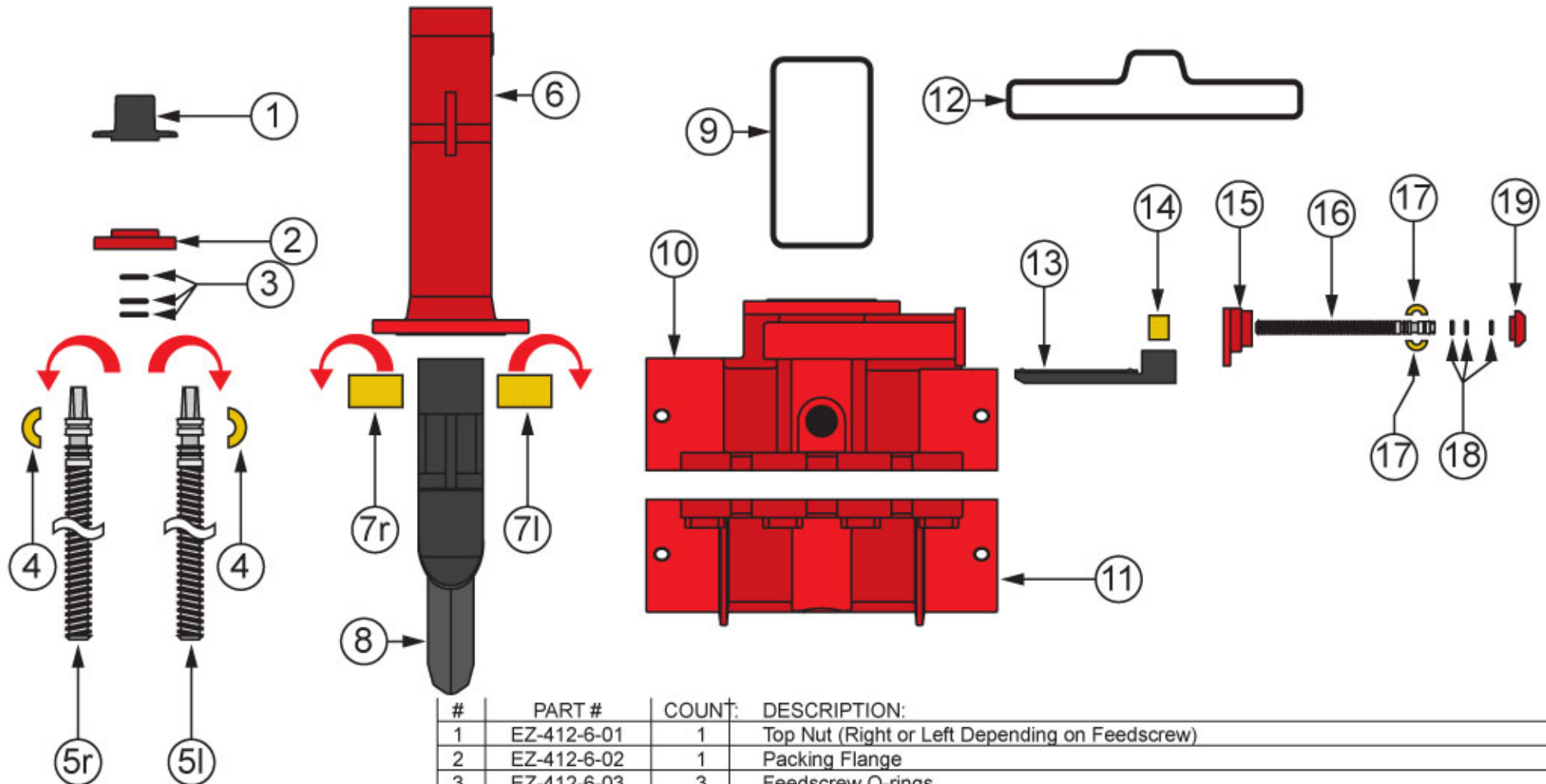


ADVANCED VALVE TECHNOLOGIES

AC EZ VALVE PARTS LIST

4"

**Please Note That AC Valves are Fundamentally the Same as Regular Valves but Have a Larger Internal Diameter.



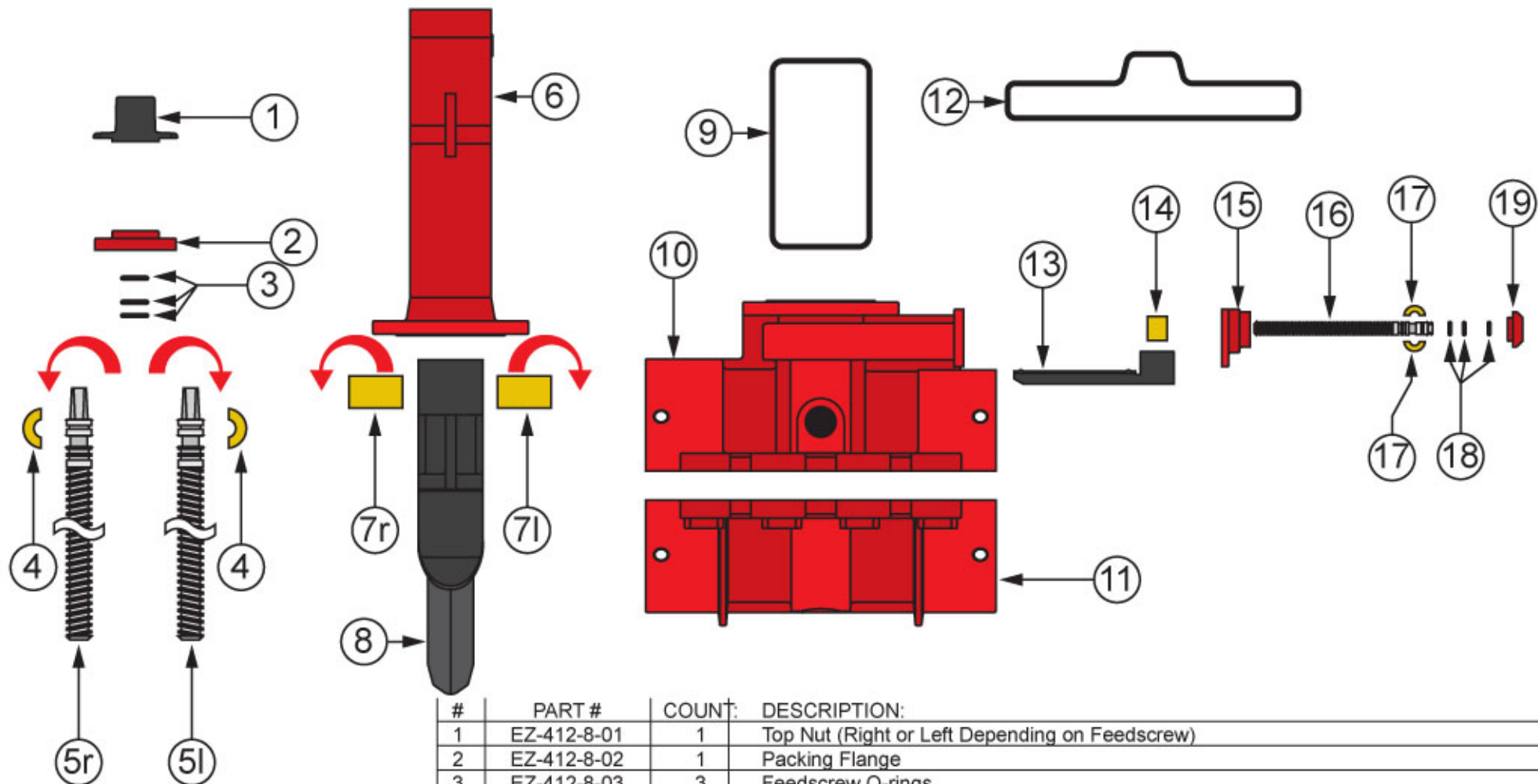
#	PART #	COUNT	DESCRIPTION:
1	EZ-412-6-01	1	Top Nut (Right or Left Depending on Feedscrew)
2	EZ-412-6-02	1	Packing Flange
3	EZ-412-6-03	3	Feedscrew O-rings
4	EZ-412-6-04	2	Feedscrew Shaft Collar
5r	EZ-412-6-05-R	1	Feedscrew (OPEN RIGHT)
5l	EZ-412-6-05-L	1	Feedscrew (OPEN LEFT)
6	EZ-412-6-06	1	Bonnet
7r	EZ-412-6-07-R	1	Feedscrew Nut (OPEN RIGHT)
7l	EZ-412-6-07-L	1	Feedscrew Nut (OPEN LEFT)
8	EZ-412-6-08	1	Gate
9	EZ-412-6-09	1	Housing A Top O-ring
10	EZ-412-AC-6-10	1	Housing A
11	EZ-412-AC-6-11	1	Housing B
12	EZ-412-6-12	1	Isolation Gate Bonnet O-ring
13	EZ-412-6-13	1	Isolation Gate
14	EZ-412-6-14	1	Isolation Gate Feedscrew Nut
15	EZ-412-6-15	1	Isolation Gate Bonnet
16	EZ-412-6-16	1	Isolation Gate Feedscrew
17	EZ-412-6-17	2	Isolation Gate Feedscrew Shaft Collar
18	EZ-412-6-18	3	Isolation Gate Feedscrew O-rings
19	EZ-412-6-19	1	Isolation Gate Packing Flange

ADVANCED VALVE TECHNOLOGIES

AC EZ VALVE PARTS LIST

6"

**Please Note That AC Valves are Fundamentally the Same as Regular Valves but Have a Larger Internal Diameter.



#	PART #	COUNT	DESCRIPTION:
1	EZ-412-8-01	1	Top Nut (Right or Left Depending on Feedscrew)
2	EZ-412-8-02	1	Packing Flange
3	EZ-412-8-03	3	Feedscrew O-rings
4	EZ-412-8-04	2	Feedscrew Shaft Collar
5r	EZ-412-8-05-R	1	Feedscrew (OPEN RIGHT)
5l	EZ-412-8-05-L	1	Feedscrew (OPEN LEFT)
6	EZ-412-8-06	1	Bonnet
7r	EZ-412-8-07-R	1	Feedscrew Nut (OPEN RIGHT)
7l	EZ-412-8-07-L	1	Feedscrew Nut (OPEN LEFT)
8	EZ-412-8-08	1	Gate
9	EZ-412-8-09	1	Housing A Top O-ring
10	EZ-412-AC-8-10	1	Housing A
11	EZ-412-AC-8-11	1	Housing B
12	EZ-412-8-12	1	Isolation Gate Bonnet O-ring
13	EZ-412-8-13	1	Isolation Gate
14	EZ-412-8-14	1	Isolation Gate Feedscrew Nut
15	EZ-412-8-15	1	Isolation Gate Bonnet
16	EZ-412-8-16	1	Isolation Gate Feedscrew
17	EZ-412-8-17	2	Isolation Gate Feedscrew Shaft Collar
18	EZ-412-8-18	3	Isolation Gate Feedscrew O-rings
19	EZ-412-8-19	1	Isolation Gate Packing Flange

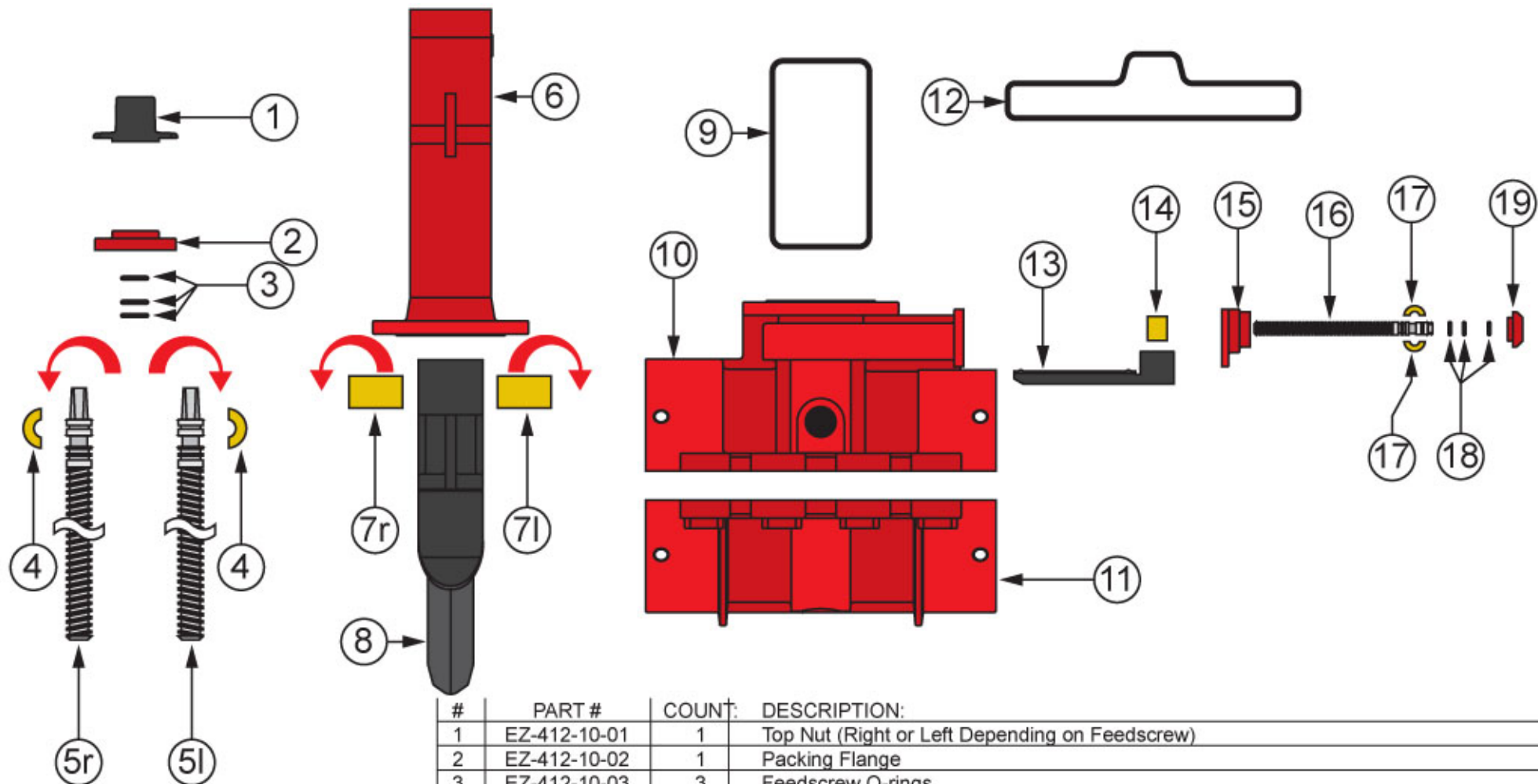


ADVANCED VALVE TECHNOLOGIES

AC EZ VALVE PARTS LIST

8"

**Please Note That AC Valves are Fundamentally the Same as Regular Valves but Have a Larger Internal Diameter.



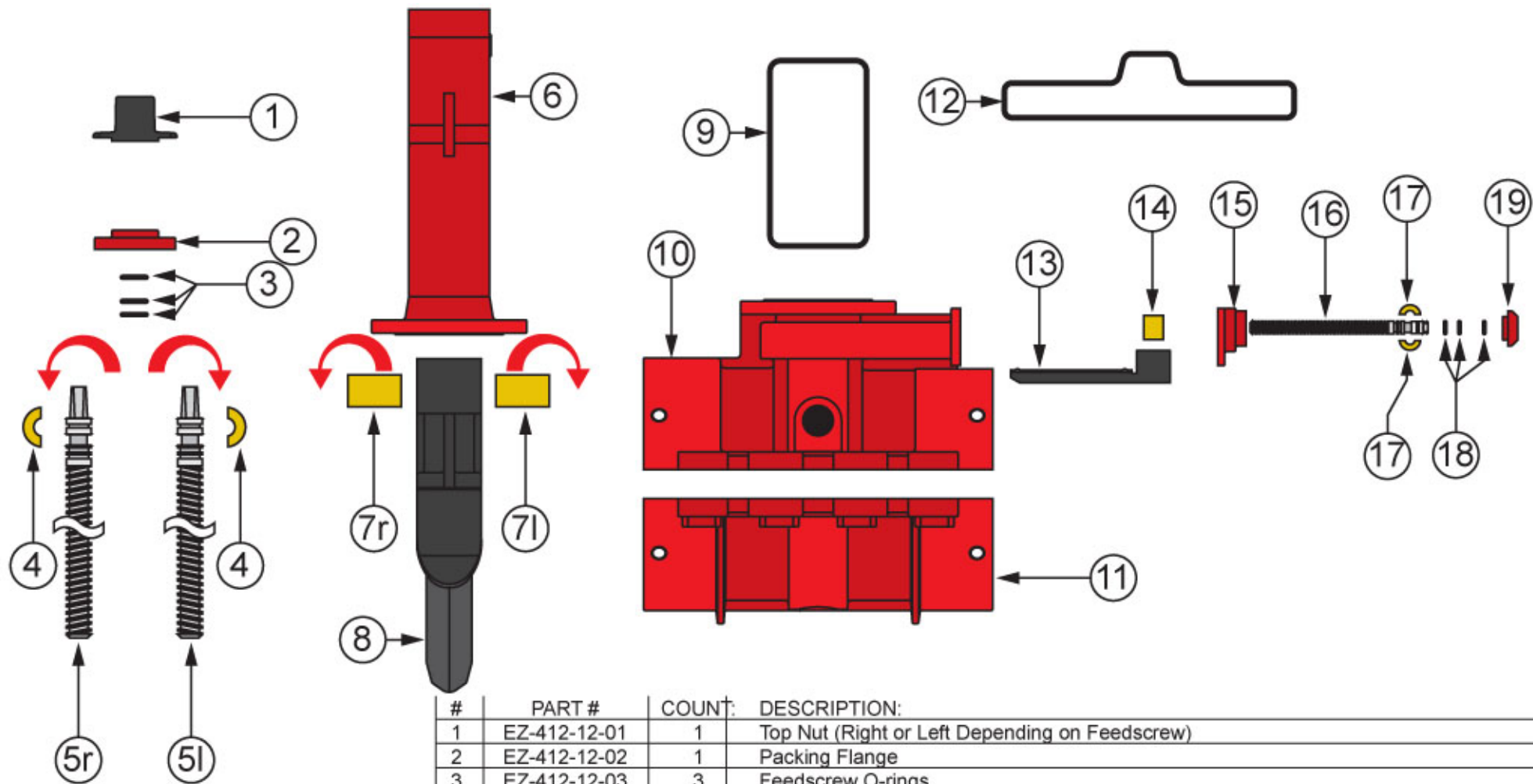
#	PART #	COUNT	DESCRIPTION:
1	EZ-412-10-01	1	Top Nut (Right or Left Depending on Feedscrew)
2	EZ-412-10-02	1	Packing Flange
3	EZ-412-10-03	3	Feedscrew O-rings
4	EZ-412-10-04	2	Feedscrew Shaft Collar
5r	EZ-412-10-05-R	1	Feedscrew (OPEN RIGHT)
5l	EZ-412-10-05-L	1	Feedscrew (OPEN LEFT)
6	EZ-412-10-06	1	Bonnet
7r	EZ-412-10-07-R	1	Feedscrew Nut (OPEN RIGHT)
7l	EZ-412-10-07-L	1	Feedscrew Nut (OPEN LEFT)
8	EZ-412-10-08	1	Gate
9	EZ-412-10-09	1	Housing A Top O-ring
10	EZ-412-AC-10-10	1	Housing A
11	EZ-412-AC-10-11	1	Housing B
12	EZ-412-10-12	1	Isolation Gate Bonnet O-ring
13	EZ-412-10-13	1	Isolation Gate
14	EZ-412-10-14	1	Isolation Gate Feedscrew Nut
15	EZ-412-AC-10-15	1	Isolation Gate Bonnet
16	EZ-412-10-16	1	Isolation Gate Feedscrew
17	EZ-412-10-17	2	Isolation Gate Feedscrew Shaft Collar
18	EZ-412-10-18	3	Isolation Gate Feedscrew O-rings
19	EZ-412-10-19	1	Isolation Gate Packing Flange



AC EZ VALVE PARTS LIST

10"

**Please Note That AC Valves are Fundamentally the Same as Regular Valves but Have a Larger Internal Diameter.



#	PART #	COUNT	DESCRIPTION:
1	EZ-412-12-01	1	Top Nut (Right or Left Depending on Feedscrew)
2	EZ-412-12-02	1	Packing Flange
3	EZ-412-12-03	3	Feedscrew O-rings
4	EZ-412-12-04	2	Feedscrew Shaft Collar
5r	EZ-412-12-05-R	1	Feedscrew (OPEN RIGHT)
5l	EZ-412-12-05-L	1	Feedscrew (OPEN LEFT)
6	EZ-412-12-06	1	Bonnet
7r	EZ-412-12-07-R	1	Feedscrew Nut (OPEN RIGHT)
7l	EZ-412-12-07-L	1	Feedscrew Nut (OPEN LEFT)
8	EZ-412-12-08	1	Gate
9	EZ-412-12-09	1	Housing A Top O-ring
10	EZ-412-AC-12-10	1	Housing A
11	EZ-412-AC-12-11	1	Housing B
12	EZ-412-12-12	1	Isolation Gate Bonnet O-ring
13	EZ-412-12-13	1	Isolation Gate
14	EZ-412-12-14	1	Isolation Gate Feedscrew Nut
15	EZ-412-AC-12-15	1	Isolation Gate Bonnet
16	EZ-412-12-16	1	Isolation Gate Feedscrew
17	EZ-412-12-17	2	Isolation Gate Feedscrew Shaft Collar
18	EZ-412-12-18	3	Isolation Gate Feedscrew O-rings
19	EZ-412-12-19	1	Isolation Gate Packing Flange

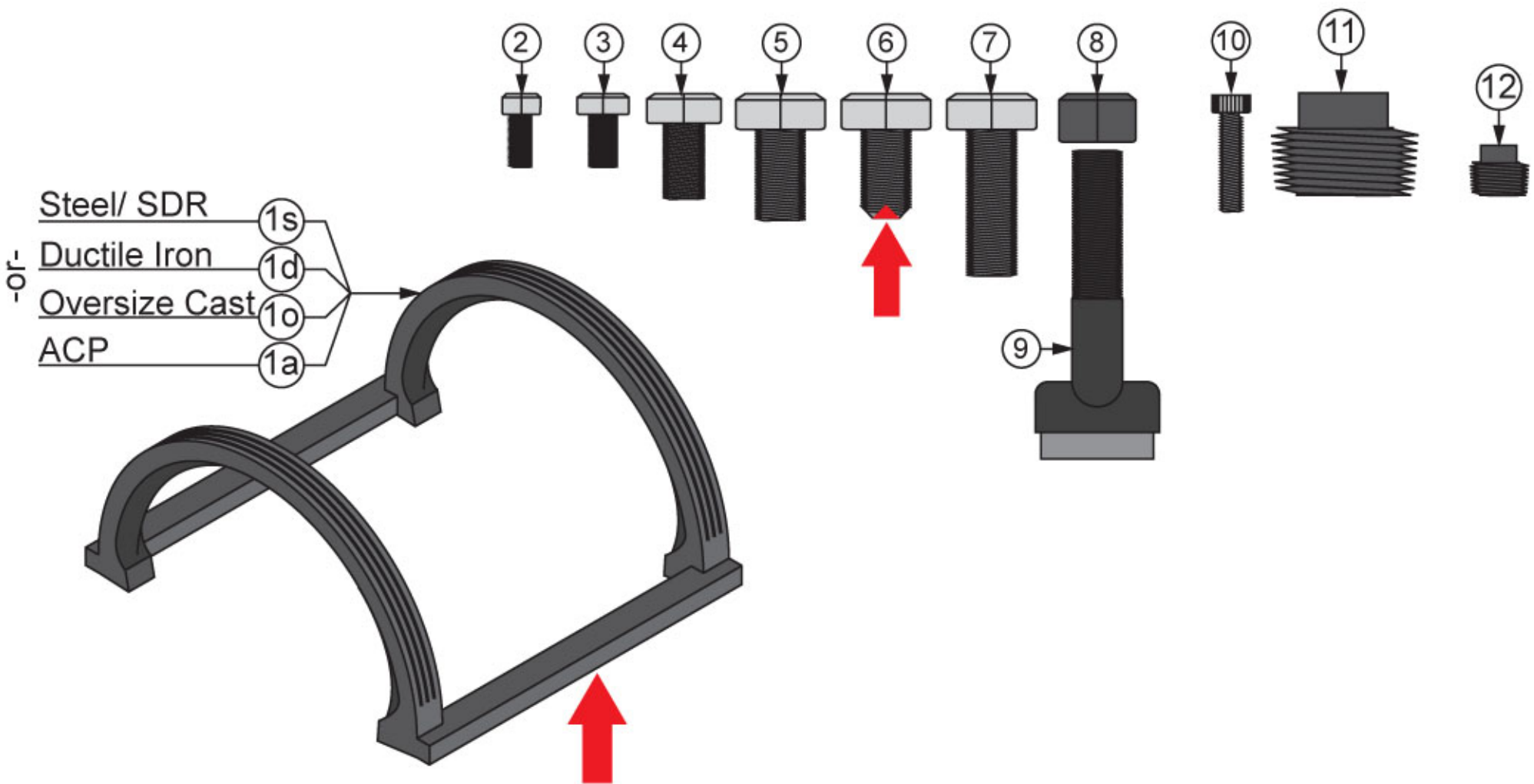


ADVANCED VALVE TECHNOLOGIES

AC EZ VALVE PARTS LIST

12"

**Please Note That AC Valves are Fundamentally the Same as Regular Valves but Have a Larger Internal Diameter.

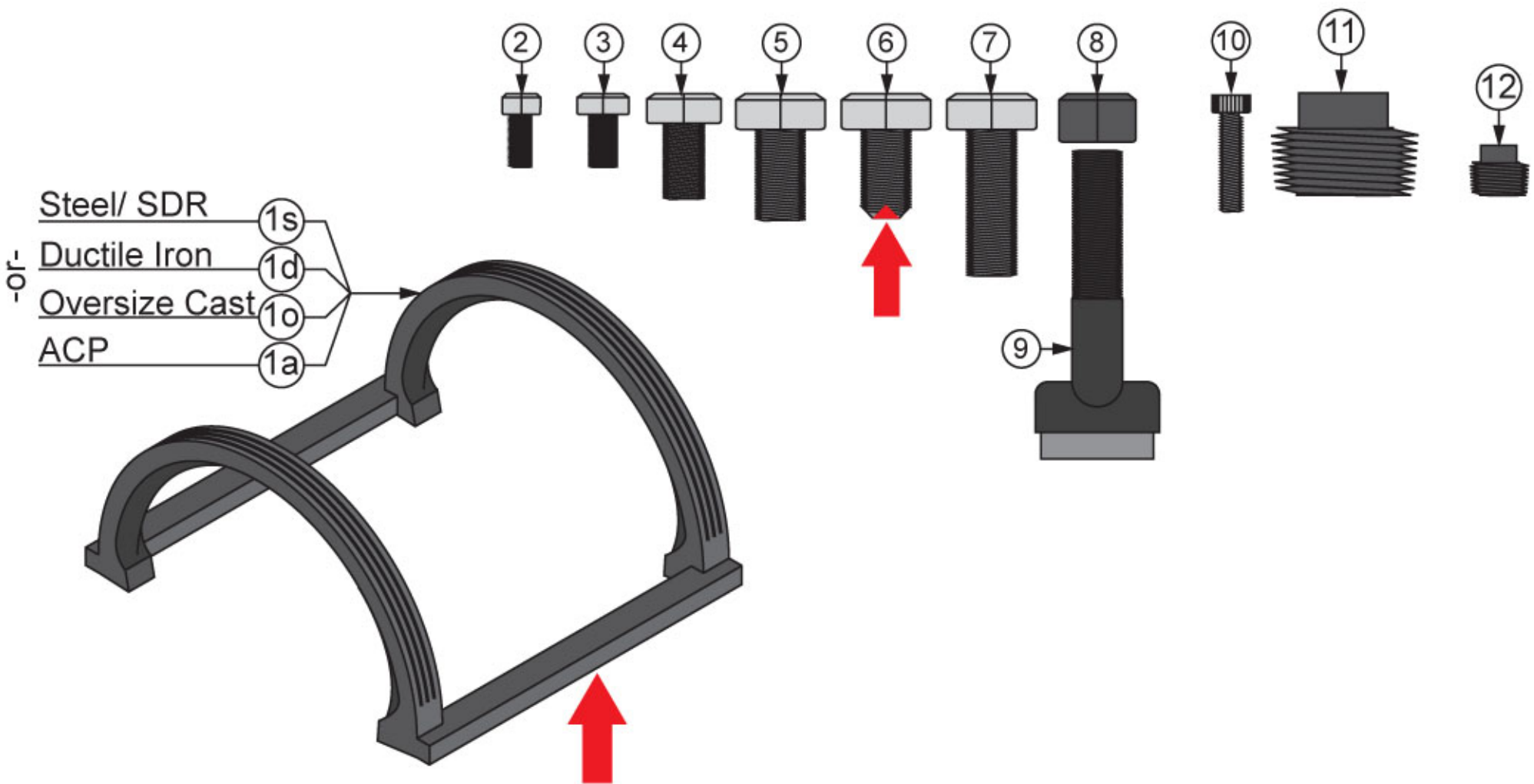


BOLTS AND GASKETS

4"

**Please Note That Some Bolts Have No Number in the "Count" Category Because the Number Varies from Size to Size

#	PART #	COUNT	DESCRIPTION:
1s	EZ-BG-4-1S	2	Gasket for Steel or SDR Diameter Pipe
1d	EZ-BG-4-1D	2	Gasket for Ductile Iron Diameter Pipe
1o	EZ-BG-4-1O	2	Gasket for Oversized Cast Iron Diameter Pipe
1a	EZ-BG-4-1A	2	Gasket for Asbestos Cement Diameter Pipe
2	EZ-BG-4-2	1	Bolt For Top Nut with a Head Size of 15MM
3	EZ-BG-3	N/A	Bolt For Isolation Gate Bonnet and Packing Flange (sizes 4"- 8") with a Head Size of 17MM
4	EZ-BG-4	N/A	Bolt For Valve Bonnets (Sizes 4"-8") with a Head Size of 24MM
5	EZ-BG-5	N/A	Bolt For Valve Bonnets (Sizes 10"-12") with a Head Size of 30MM
6	EZ-BG-6	N/A	Restraint Bolt with Concave End with a Head Size of 30MM
7	EZ-BG-7	2	Bolt For End Rings with a Head Size of 30MM
8	EZ-BG-8	N/A	Nut with a Head Size of 30MM
9	EZ-BG-9	N/A	Side Bolts With Zinc Annode
10	EZ-BG-10	4	End-Ring Restraint Bolt with Socket Head Size of 8MM
11	EZ-BG-4-11	1	Flushing Port Completion Plug (1" NPT For Sizes 4" - 8" and 1-1/2" NPT For Sizes 10"-12")
12	EZ-BG-12	1	Equalization Port Completion Plug (1/4" NPT)



Steel/ SDR (1s)
 Ductile Iron (1d)
 Oversize Cast (1o)
 ACP (1a)

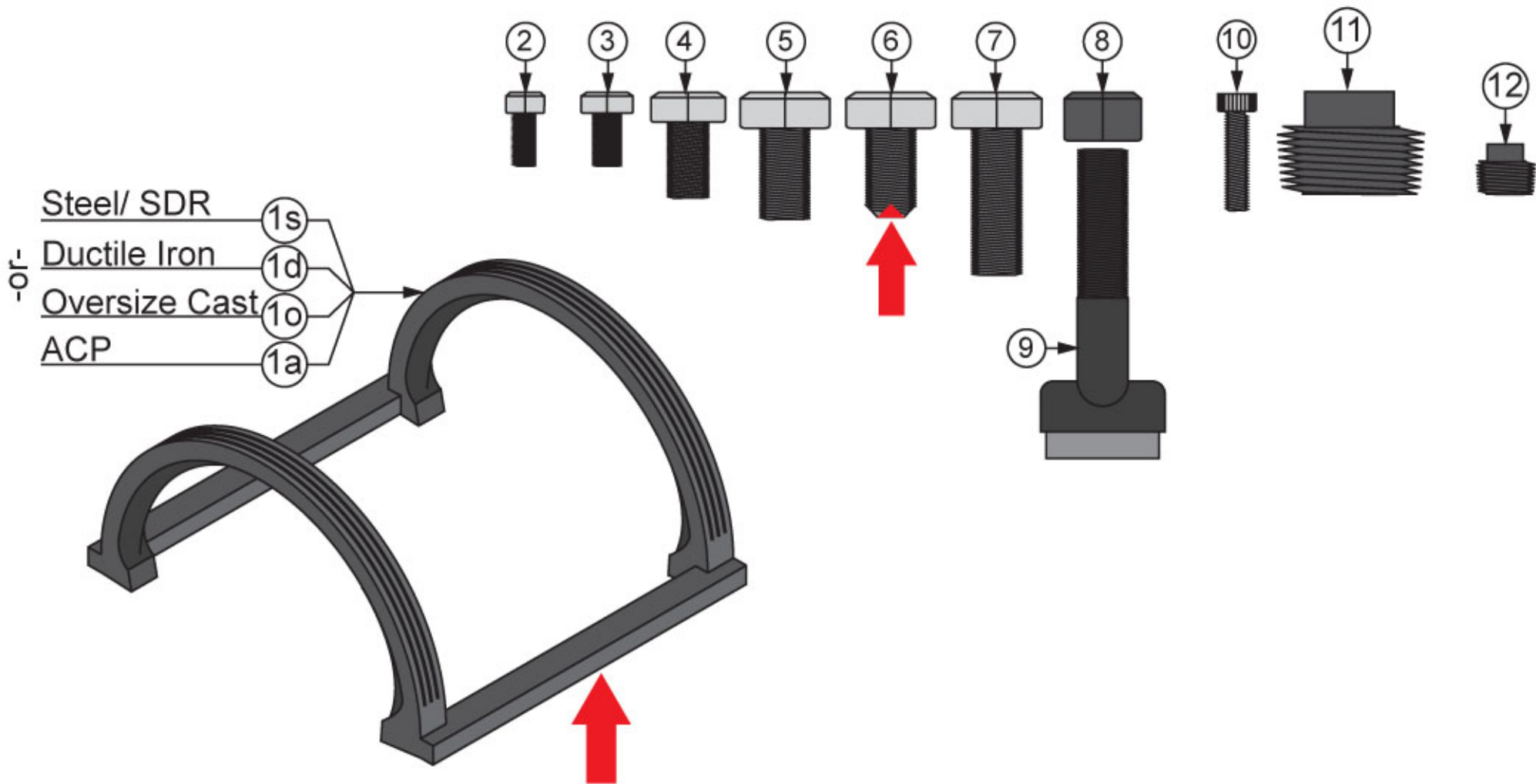
#	PART #	COUNT	DESCRIPTION:
1s	EZ-BG-6-1S	2	Gasket for Steel or SDR Diameter Pipe
1d	EZ-BG-6-1D	2	Gasket for Ductile Iron Diameter Pipe
1o	EZ-BG-6-1O	2	Gasket for Oversized Cast Iron Diameter Pipe
1a	EZ-BG-6-1A	2	Gasket for Asbestos Cement Diameter Pipe
2	EZ-BG-6-2	1	Bolt For Top Nut with a Head Size of 15MM
3	EZ-BG-3	N/A	Bolt For Isolation Gate Bonnet and Packing Flange (sizes 4" - 8") with a Head Size of 17MM
4	EZ-BG-4	N/A	Bolt For Valve Bonnets (Sizes 4"-8") with a Head Size of 24MM
5	EZ-BG-5	N/A	Bolt For Valve Bonnets (Sizes 10"-12") with a Head Size of 30MM
6	EZ-BG-6	N/A	Restraint Bolt with Concave End with a Head Size of 30MM
7	EZ-BG-7	2	Bolt For End Rings with a Head Size of 30MM
8	EZ-BG-8	N/A	Nut with a Head Size of 30MM
9	EZ-BG-9	N/A	Side Bolts With Zinc Annode
10	EZ-BG-10	4	End-Ring Restraint Bolt with Socket Head Size of 8MM
11	EZ-BG-6-11	1	Flushing Port Completion Plug (1" NPT For Sizes 4" - 8" and 1-1/2" NPT For Sizes 10"-12")
12	EZ-BG-12	1	Equalization Port Completion Plug (1/4" NPT)

ADVANCED VALVE TECHNOLOGIES

BOLTS AND GASKETS

6"

**Please Note That Some Bolts Have No Number in the "Count" Category Because the Number Varies from Size to Size



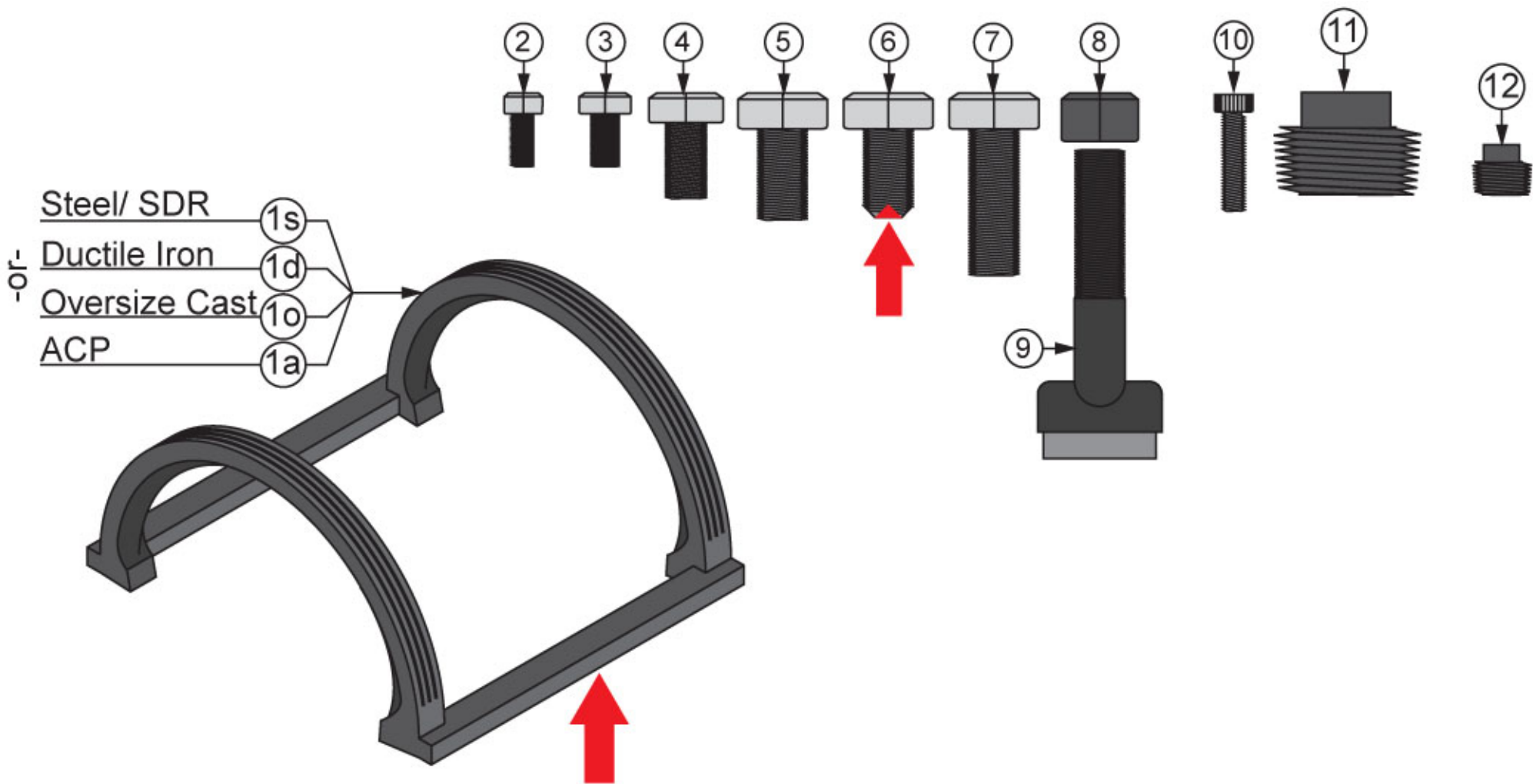
#	PART #	COUNT:	DESCRIPTION:
1s	EZ-BG-8-1S	2	Gasket for Steel or SDR Diameter Pipe
1d	EZ-BG-8-1D	2	Gasket for Ductile Iron Diameter Pipe
1o	EZ-BG-8-1O	2	Gasket for Oversized Cast Iron Diameter Pipe
1a	EZ-BG-8-1A	2	Gasket for Asbestos Cement Diameter Pipe
2	EZ-BG-8-2	1	Bolt For Top Nut with a Head Size of 15MM
3	EZ-BG-3	N/A	Bolt For Isolation Gate Bonnet and Packing Flange (sizes 4"- 8") with a Head Size of 17MM
4	EZ-BG-4	N/A	Bolt For Valve Bonnets (Sizes 4"-8") with a Head Size of 24MM
5	EZ-BG-5	N/A	Bolt For Valve Bonnets (Sizes 10"-12") with a Head Size of 30MM
6	EZ-BG-6	N/A	Restraint Bolt with Concave End with a Head Size of 30MM
7	EZ-BG-7	2	Bolt For End Rings with a Head Size of 30MM
8	EZ-BG-8	N/A	Nut with a Head Size of 30MM
9	EZ-BG-9	N/A	Side Bolts With Zinc Annode
10	EZ-BG-10	4	End-Ring Restraint Bolt with Socket Head Size of 8MM
11	EZ-BG-8-11	1	Flushing Port Completion Plug (1" NPT For Sizes 4" - 8" and 1-1/2" NPT For Sizes 10"-12")
12	EZ-BG-12	1	Equalization Port Completion Plug (1/4" NPT)

ADVANCED VALVE TECHNOLOGIES

BOLTS AND GASKETS

8"

**Please Note That Some Bolts Have No Number in the "Count" Category Because the Number Varies from Size to Size



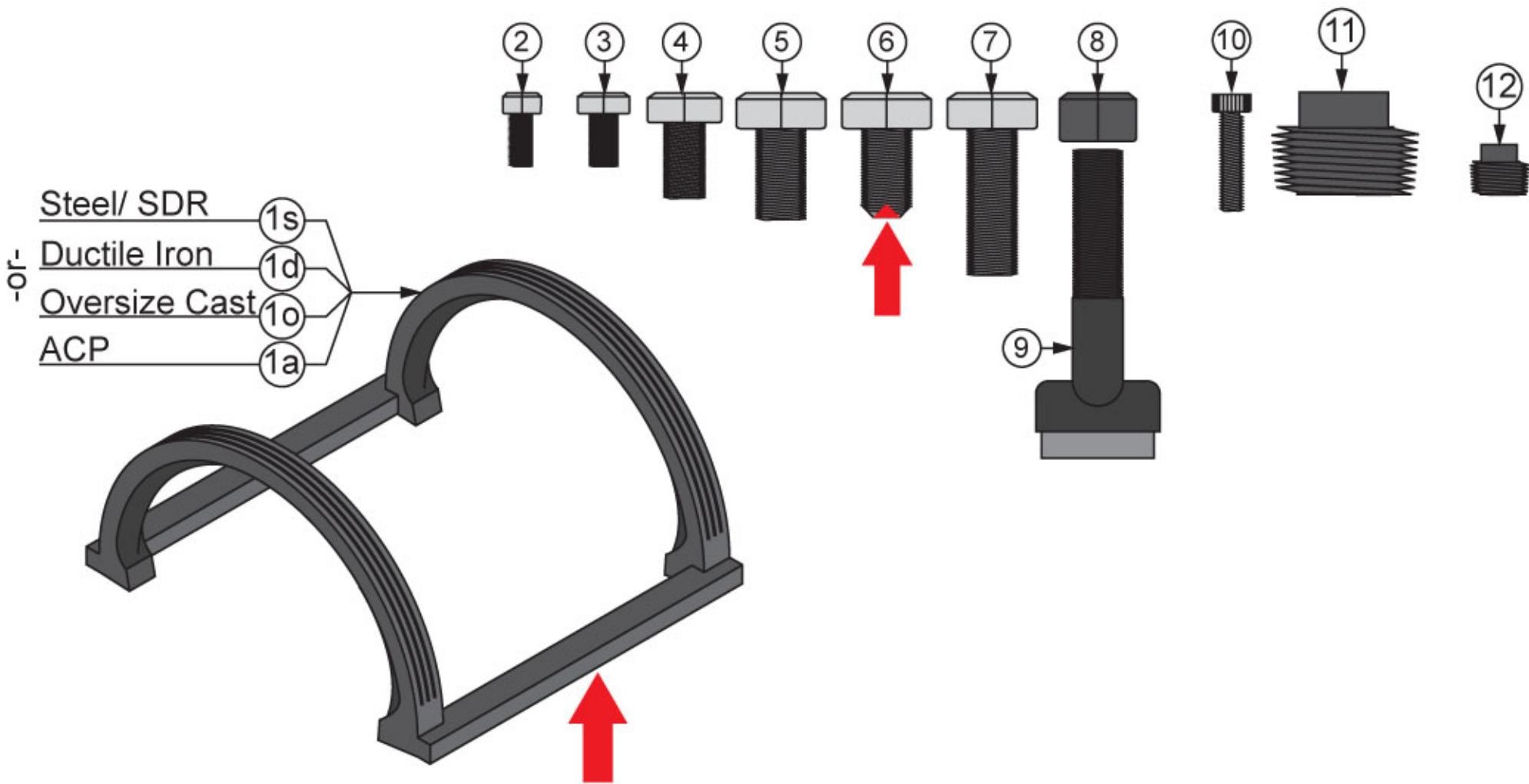
#	PART #	COUNT:	DESCRIPTION:
1s	EZ-BG-10-1S	2	Gasket for Steel or SDR Diameter Pipe
1d	EZ-BG-10-1D	2	Gasket for Ductile Iron Diameter Pipe
1o	EZ-BG-10-1O	2	Gasket for Oversized Cast Iron Diameter Pipe
1a	EZ-BG-10-1A	2	Gasket for Asbestos Cement Diameter Pipe
2	EZ-BG-8-2	1	Bolt For Top Nut with a Head Size of 15MM
3	EZ-BG-3	N/A	Bolt For Isolation Gate Bonnet and Packing Flange (sizes 4" - 8") with a Head Size of 17MM
4	EZ-BG-4	N/A	Bolt For Valve Bonnets (Sizes 4"-8") with a Head Size of 24MM
5	EZ-BG-5	N/A	Bolt For Valve Bonnets (Sizes 10"-12") with a Head Size of 30MM
6	EZ-BG-6	N/A	Restraint Bolt with Concave End with a Head Size of 30MM
7	EZ-BG-7	2	Bolt For End Rings with a Head Size of 30MM
8	EZ-BG-8	N/A	Nut with a Head Size of 30MM
9	EZ-BG-9	N/A	Side Bolts With Zinc Annode
10	EZ-BG-10	4	End-Ring Restraint Bolt with Socket Head Size of 8MM
11	EZ-BG-10-11	1	Flushing Port Completion Plug (1" NPT For Sizes 4" - 8" and 1-1/2" NPT For Sizes 10"-12")
12	EZ-BG-12	1	Equalization Port Completion Plug (1/4" NPT)



BOLTS AND GASKETS

10"

**Please Note That Some Bolts Have No Number in the "Count" Category Because the Number Varies from Size to Size

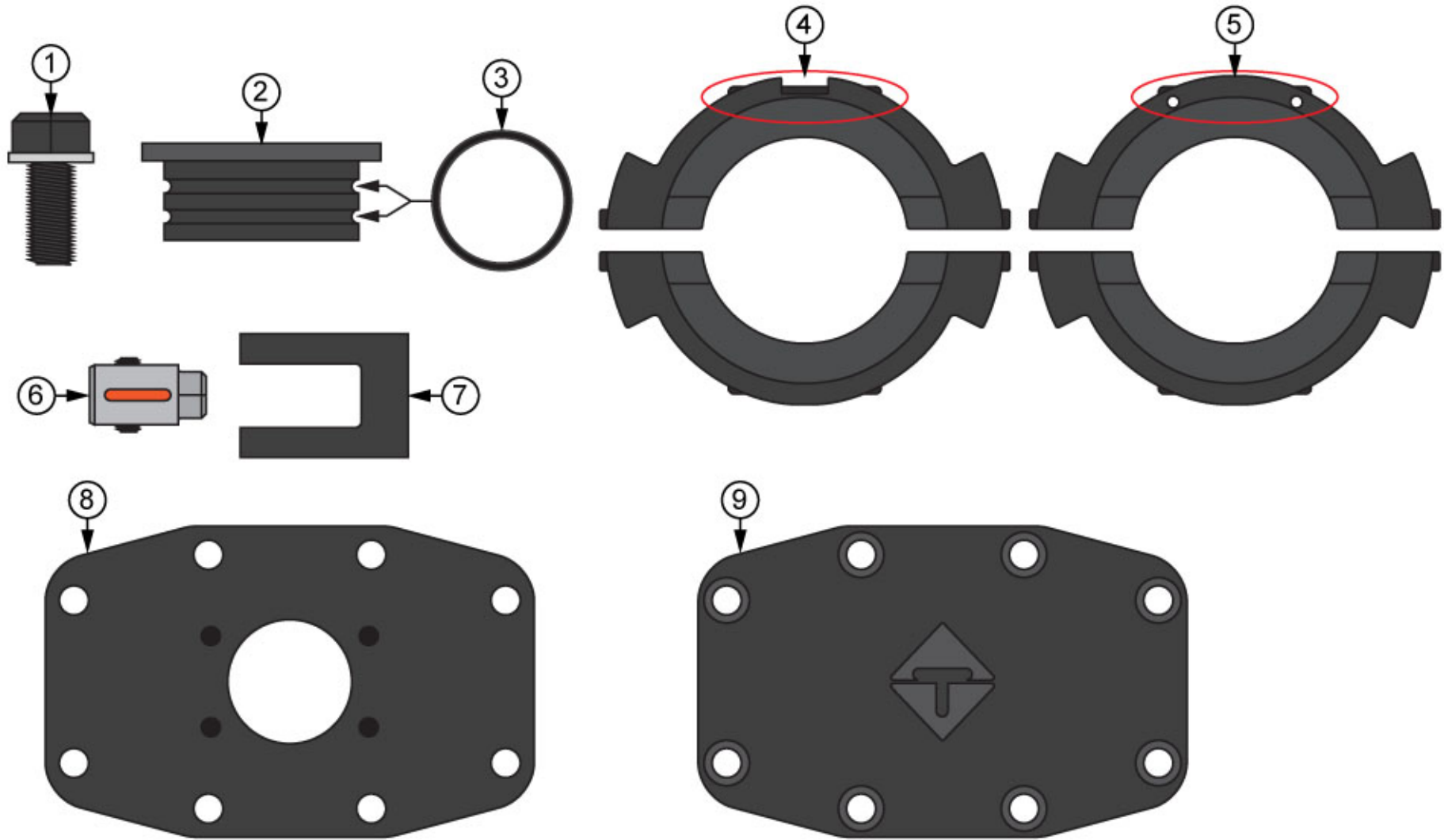


#	PART #	COUNT:	DESCRIPTION:
1s	EZ-BG-12-1S	2	Gasket for Steel or SDR Diameter Pipe
1d	EZ-BG-12-1D	2	Gasket for Ductile Iron Diameter Pipe
1o	EZ-BG-12-1O	2	Gasket for Oversized Cast Iron Diameter Pipe
1a	EZ-BG-12-1A	2	Gasket for Asbestos Cement Diameter Pipe
2	EZ-BG-8-2	1	Bolt For Top Nut with a Head Size of 15MM
3	EZ-BG-3	N/A	Bolt For Isolation Gate Bonnet and Packing Flange (sizes 4"- 8") with a Head Size of 17MM
4	EZ-BG-4	N/A	Bolt For Valve Bonnets (Sizes 4"-8") with a Head Size of 24MM
5	EZ-BG-5	N/A	Bolt For Valve Bonnets (Sizes 10"-12") with a Head Size of 30MM
6	EZ-BG-6	N/A	Restraint Bolt with Concave End with a Head Size of 30MM
7	EZ-BG-7	2	Bolt For End Rings with a Head Size of 30MM
8	EZ-BG-8	N/A	Nut with a Head Size of 30MM
9	EZ-BG-9	N/A	Side Bolts With Zinc Annode
10	EZ-BG-10	4	End-Ring Restraint Bolt with Socket Head Size of 8MM
11	EZ-BG-12-11	1	Flushing Port Completion Plug (1" NPT For Sizes 4" - 8" and 1-1/2" NPT For Sizes 10"-12")
12	EZ-BG-12	1	Equalization Port Completion Plug (1/4" NPT)



BOLTS AND GASKETS
12"

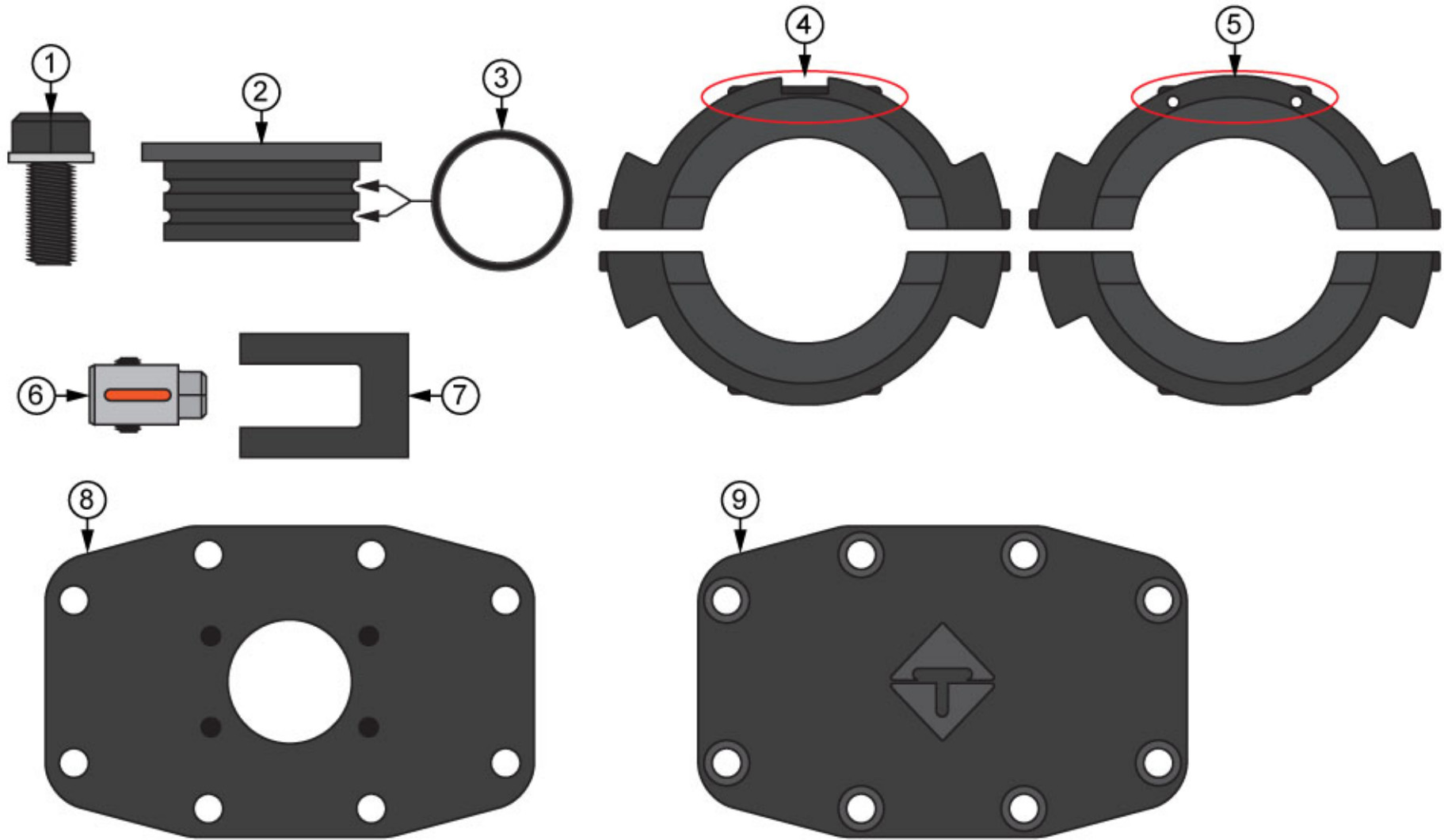
**Please Note That Some Bolts Have No Number in the "Count" Category Because the Number Varies from Size to Size



ADAPTOR PARTS

4"

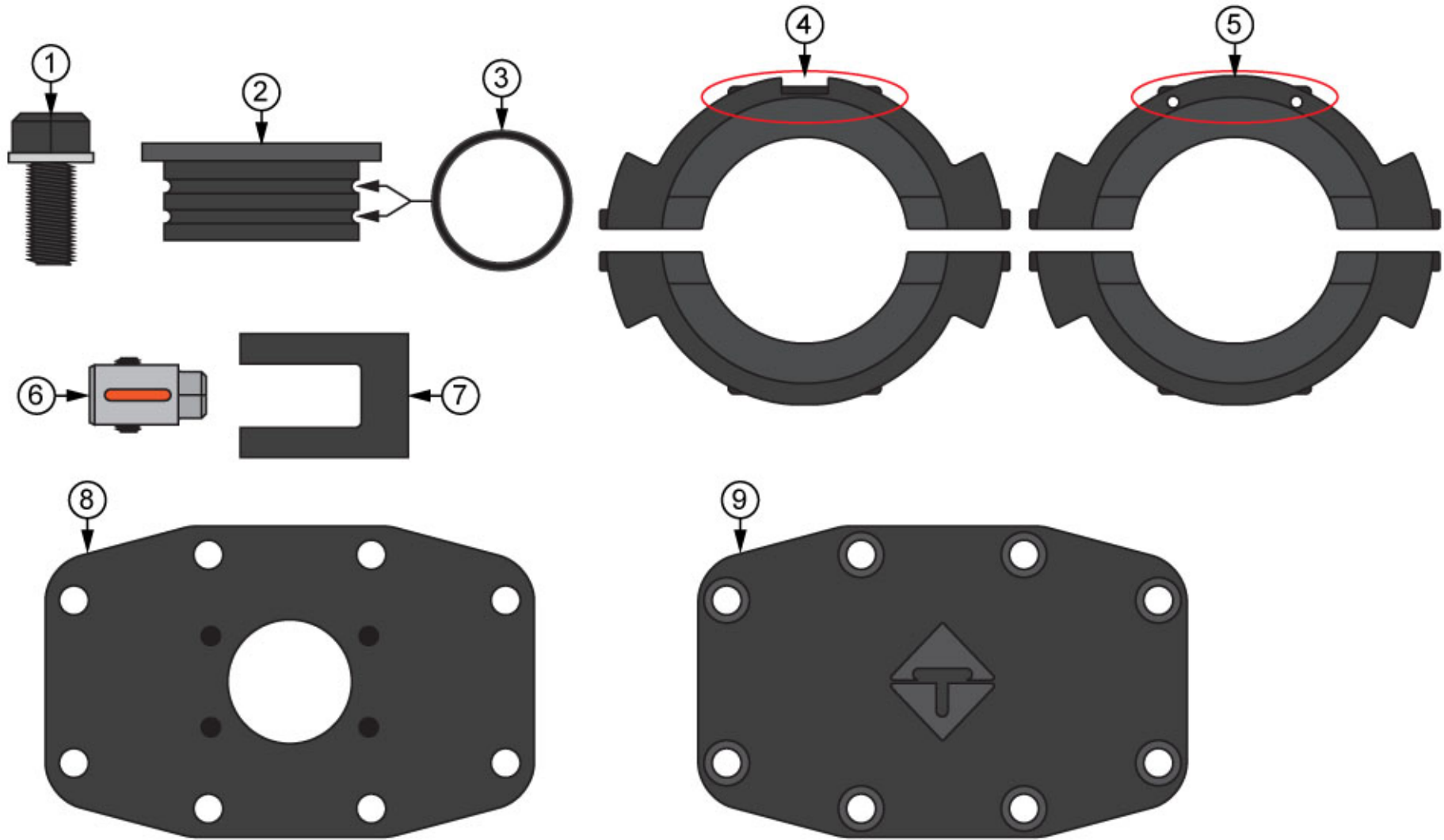
#	PART #	COUNT:	DESCRIPTION:
1	EZ-AP-1	4	EM Mounting Bolts
2	EZ-AP-2	1	Transition Ring
3	EZ-AP-3	2	Transition Ring O-ring
4	EZ-AP-4-4	1	Retainer Ring (Pleas Note That this Ring Has a Square Notch at the Top)
5	EZ-AP-4-5	1	GearBox Ring (Pleas Note That this Ring Has Four Bolt-Holes at the Top)
6	EZ-AP-6	1	Stop-Pin
7	EZ-AP-7	1	U-Gauge Level Indicator
8	EZ-AP-4-8	1	EM Mounting Plate
9	EZ-AP-4-9	1	Blind Flange



ADAPTOR PARTS

6"

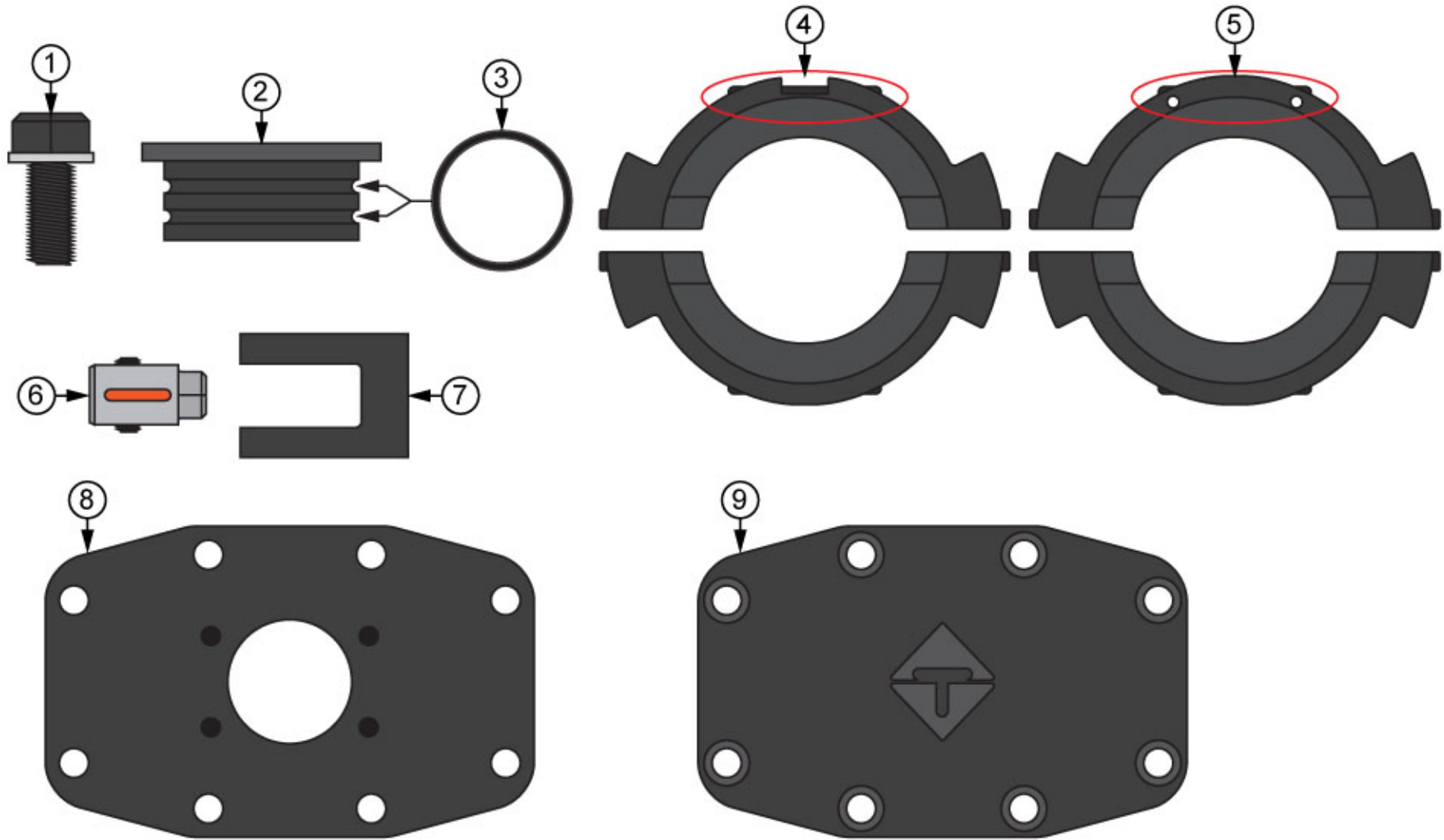
#	PART #	COUNT:	DESCRIPTION:
1	EZ-AP-1	4	EM Mounting Bolts
2	EZ-AP-2	1	Transition Ring
3	EZ-AP-3	2	Transition Ring O-ring
4	EZ-AP-6-4	1	Retainer Ring (Pleas Note That this Ring Has a Square Notch at the Top)
5	EZ-AP-6-5	1	GearBox Ring (Pleas Note That this Ring Has Four Bolt-Holes at the Top)
6	EZ-AP-6	1	Stop-Pin
7	EZ-AP-7	1	U-Gauge Level Indicator
8	EZ-AP-6-8	1	EM Mounting Plate
9	EZ-AP-6-9	1	Blind Flange



ADAPTOR PARTS

8"

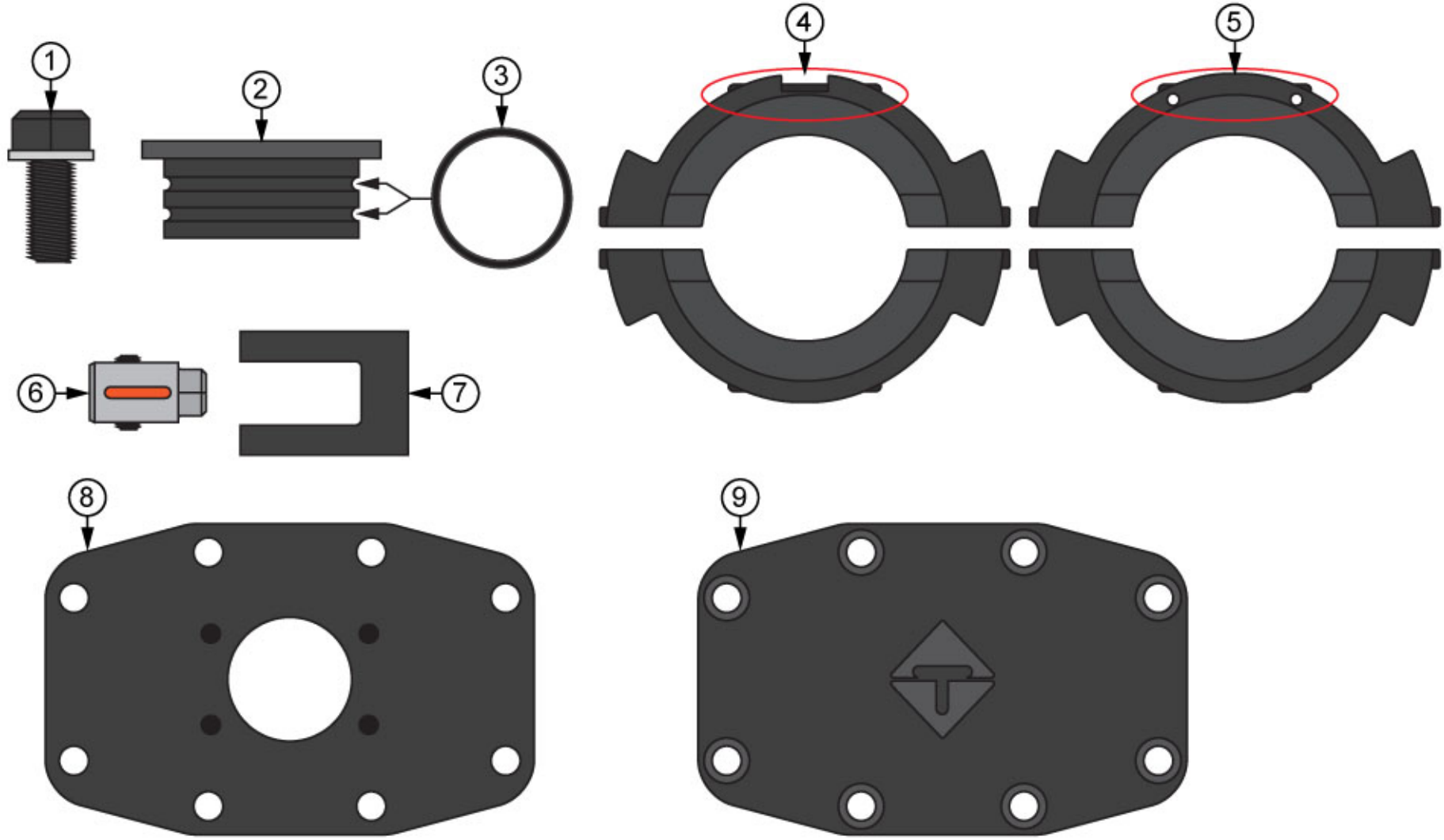
#	PART #	COUNT:	DESCRIPTION:
1	EZ-AP-1	4	EM Mounting Bolts
2	EZ-AP-2	1	Transition Ring
3	EZ-AP-3	2	Transition Ring O-ring
4	EZ-AP-8-4	1	Retainer Ring (Pleas Note That this Ring Has a Square Notch at the Top)
5	EZ-AP-8-5	1	GearBox Ring (Pleas Note That this Ring Has Four Bolt-Holes at the Top)
6	EZ-AP-6	1	Stop-Pin
7	EZ-AP-7	1	U-Gauge Level Indicator
8	EZ-AP-8-8	1	EM Mounting Plate
9	EZ-AP-8-9	1	Blind Flange



ADAPTOR PARTS

10"

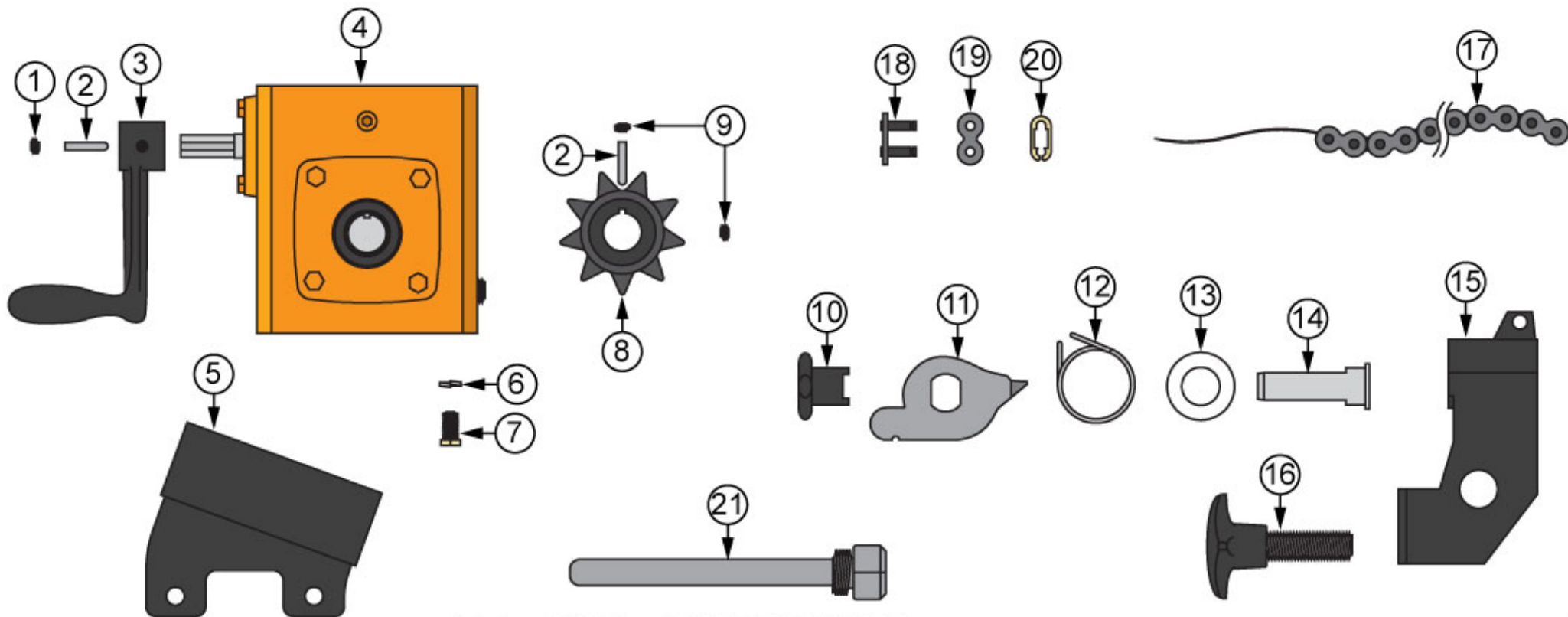
#	PART #	COUNT:	DESCRIPTION:
1	EZ-AP-1	4	EM Mounting Bolts
2	EZ-AP-2	1	Transition Ring
3	EZ-AP-3	2	Transition Ring O-ring
4	EZ-AP-10-4	1	Retainer Ring (Pleas Note That this Ring Has a Square Notch at the Top)
5	EZ-AP-10-5	1	GearBox Ring (Pleas Note That this Ring Has Four Bolt-Holes at the Top)
6	EZ-AP-6	1	Stop-Pin
7	EZ-AP-7	1	U-Gauge Level Indicator
8	EZ-AP-10-8	1	EM Mounting Plate
9	EZ-AP-10-9	1	Blind Flange



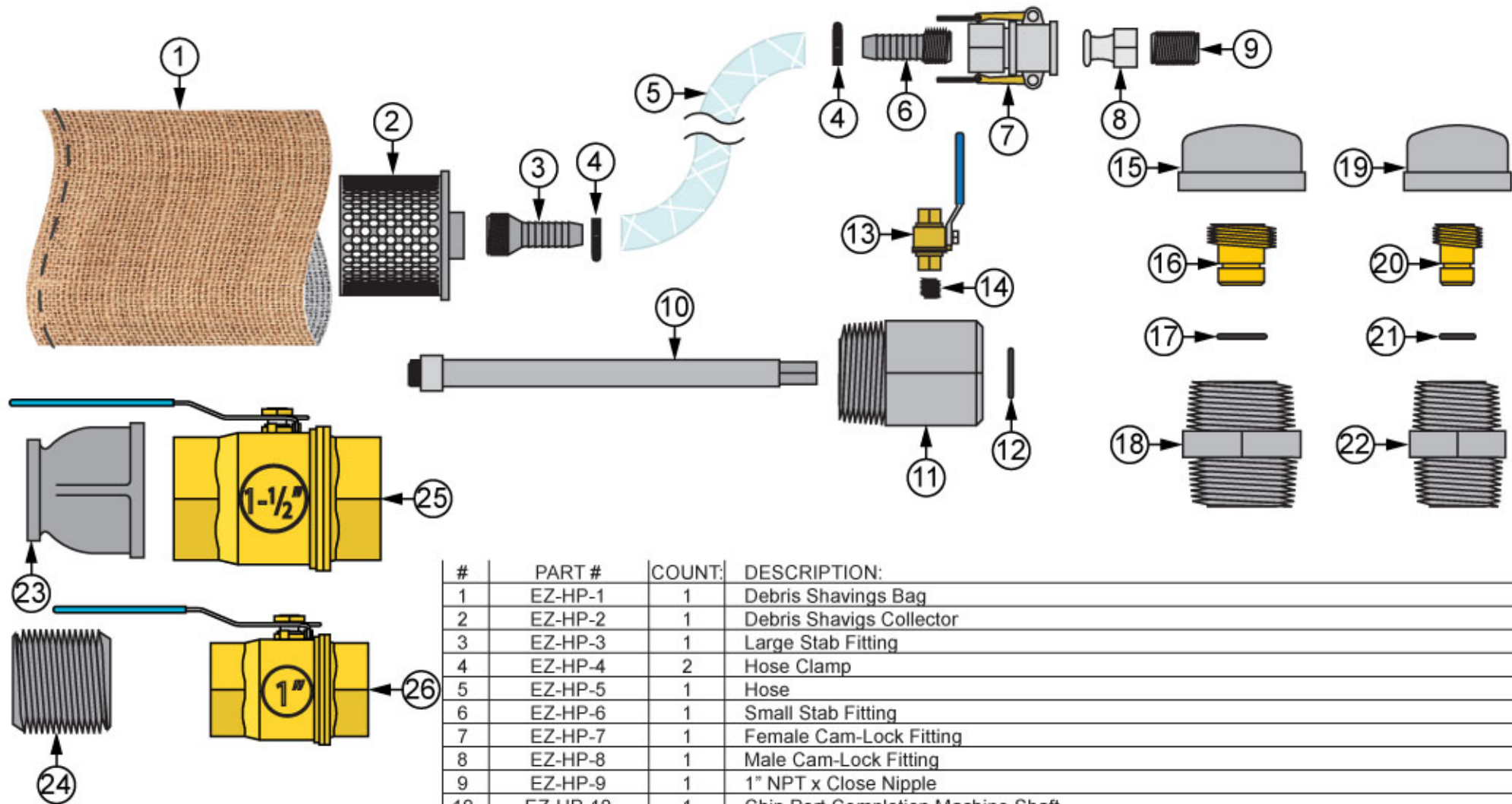
ADAPTOR PARTS

12"

#	PART #	COUNT:	DESCRIPTION:
1	EZ-AP-1	4	EM Mounting Bolts
2	EZ-AP-2	1	Transition Ring
3	EZ-AP-3	2	Transition Ring O-ring
4	EZ-AP-12-4	1	Retainer Ring (Pleas Note That this Ring Has a Square Notch at the Top)
5	EZ-AP-12-5	1	GearBox Ring (Pleas Note That this Ring Has Four Bolt-Holes at the Top)
6	EZ-AP-6	1	Stop-Pin
7	EZ-AP-7	1	U-Gauge Level Indicator
8	EZ-AP-12-8	1	EM Mounting Plate
9	EZ-AP-12-9	1	Blind Flange



#	PART #	COUNT:	DESCRIPTION:
1	EZ-RA-1	1	Set Screw for Gearbox Handle
2	EZ-RA-2	2	Key for Gearbox Handle and Sprocket
3	EZ-RA-3	1	Gearbox Handle
4	EZ-RA-4	1	Gearbox
5	EZ-RA-5	1	Gearbox Mounting Bracket
6	EZ-RA-6	4	Lock Washer for Gearbox Mounting Bracket
7	EZ-RA-7	4	Bolt for Gearbox Mounting Bracket
8	EZ-RA-8	1	Sprocket
9	EZ-RA-9	2	Set Screw for Sprocket
10	EZ-RA-10	1	Chain Tensioner Adjustment Knob
11	EZ-RA-11	1	Chain Tensioner Cam
12	EZ-RA-12	1	Chain Tensioner Spring
13	EZ-RA-13	4	Chain Tensioner Low-Friction Washers
14	EZ-RA-14	1	Chain Tensioner Hinge
15	EZ-RA-15	1	Chain Tensioner Housing
16	EZ-RA-16	1	Chain Tensioner Tightening Knob
17	EZ-RA-17	1	Chain
18	EZ-RA-18	1	Part A of Master Link for Chain
19	EZ-RA-19	1	Part B of Master Link for Chain
20	EZ-RA-20	1	Part C of Master Link for Chain
21	EZ-RA-21	2	Drive Unit Bolt

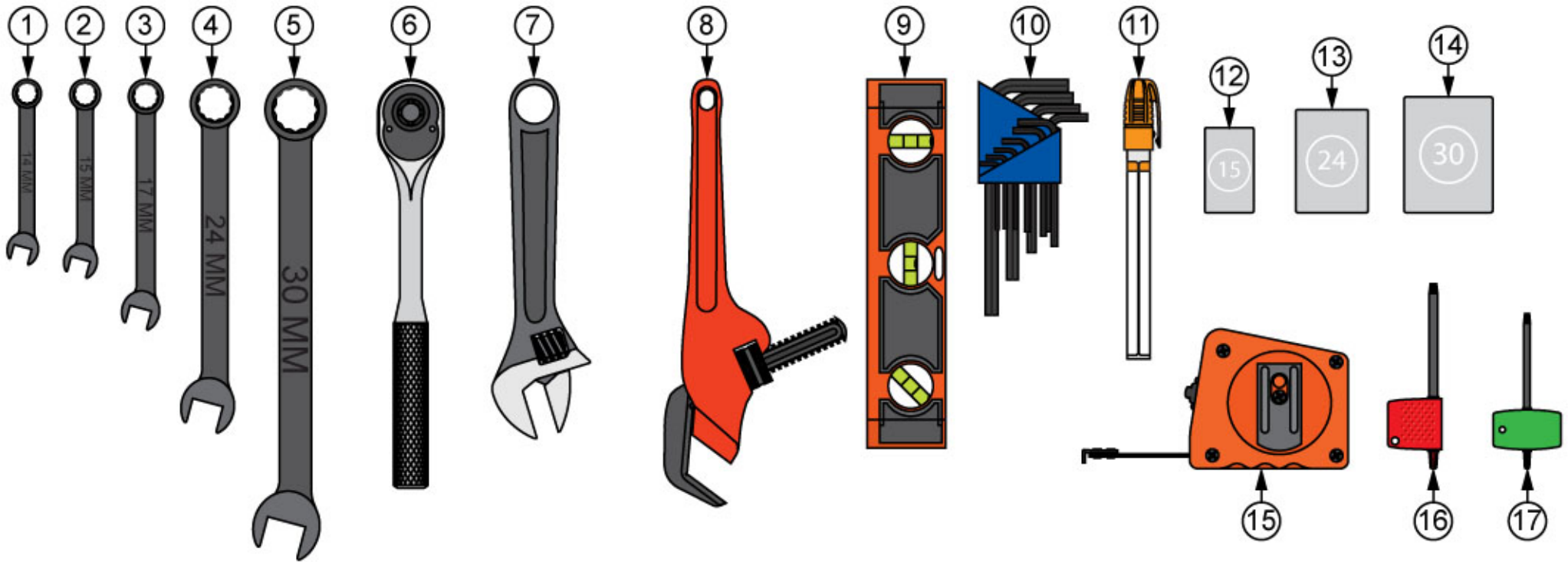


#	PART #	COUNT:	DESCRIPTION:
1	EZ-HP-1	1	Debris Shavings Bag
2	EZ-HP-2	1	Debris Shavigs Collector
3	EZ-HP-3	1	Large Stab Fitting
4	EZ-HP-4	2	Hose Clamp
5	EZ-HP-5	1	Hose
6	EZ-HP-6	1	Small Stab Fitting
7	EZ-HP-7	1	Female Cam-Lock Fitting
8	EZ-HP-8	1	Male Cam-Lock Fitting
9	EZ-HP-9	1	1" NPT x Close Nipple
10	EZ-HP-10	1	Chip Port Completion Machine Shaft
11	EZ-HP-11	1	Chip Port Completion Machine Housing
12	EZ-HP-12	2	Chip Port Completion Machine O-rings
13	EZ-HP-13	1	1/4" Ball Valve
14	EZ-HP-14	1	1/4" NPT x Close Nipple
15	EZ-HP-15	1	60mm Chip Port Completion Fitting Cap
16	EZ-HP-16	1	60mm Chip Port Completion Fitting Plug
17	EZ-HP-17	1	60mm Chip Port Completion Fitting O-ring
18	EZ-HP-18	1	60mm Chip Port Completion Fitting Housing
19	EZ-HP-19	1	45mm Chip Port Completion Fitting Cap
20	EZ-HP-20	1	45mm Chip Port Completion Fitting Plug
21	EZ-HP-21	1	45mm Chip Port Completion Fitting O-ring
22	EZ-HP-22	1	45mm Chip Port Completion Fitting Housing
23	EZ-HP-23	1	1" NPT x 1-1/2" NPT Reducer
24	EZ-HP-24	1	1-1/2" NPT x Close Nipple
25	EZ-HP-25	1	1-1/2" Ball Valve
26	EZ-HP-26	1	1" Ball Valve



HOSE PARTS

4" - 12"

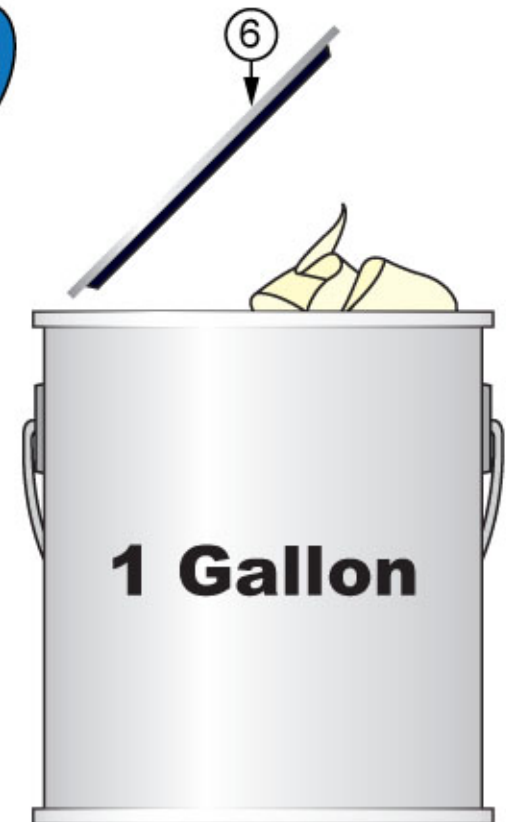
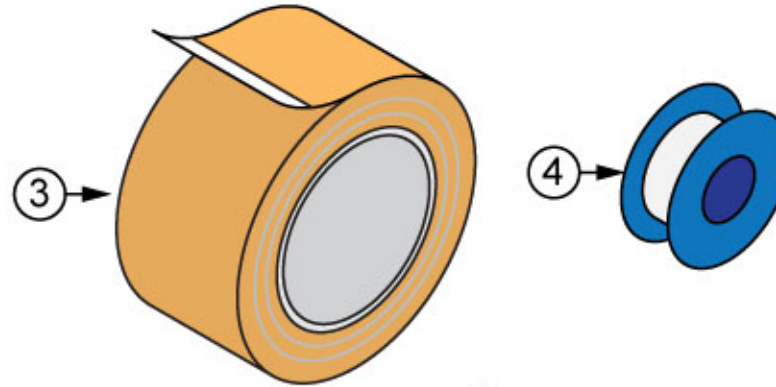


ADVANCED VALVE TECHNOLOGIES

TOOLS

4" - 12"

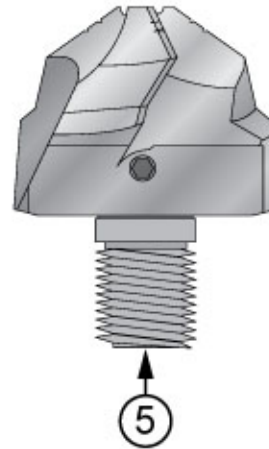
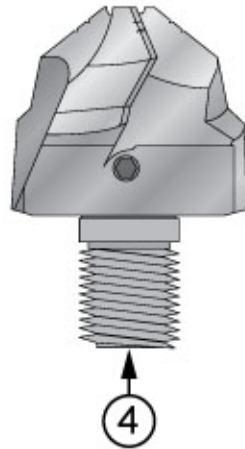
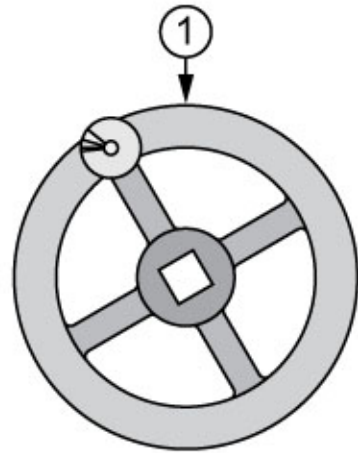
#	PART #	COUNT:	DESCRIPTION:
1	EZ-TL-1	1	14mm Open End Wrench
2	EZ-TL-2	1	15mm Open End Wrench
3	EZ-TL-3	1	17mm Open End Wrench
4	EZ-TL-4	1	24mm Open End Wrench
5	EZ-TL-5	1	30mm Open End Wrench
6	EZ-TL-6	1	Socket Ratchet Wrench
7	EZ-TL-7	1	200mm Crescent Wrench
8	EZ-TL-8	1	Flat Jaw Pipe Wrench
9	EZ-TL-9	1	Level
10	EZ-TL-10	1	Allen Wrench Set
11	EZ-TL-11	1	Paint Marker
12	EZ-TL-12	1	15mm Socket Wrench
13	EZ-TL-13	1	24mm Socket Wrench
14	EZ-TL-14	1	30mm Socket Wrench
15	EZ-TL-15	1	Tape Rule
16	EZ-TL-16	1	60mm Torx Wrench
17	EZ-TL-17	1	45mm Torx wrench



GREASE

4" - 12"

#	PART #	COUNT:	DESCRIPTION:
1	EZ-GR-1	1	White Alcom Grease
2	EZ-GR-2	1	Black Molybdenum Grease
3	EZ-GR-3	2	AVT FDA Food-Grade Tape
4	EZ-GR-4	2	Teflon Pipe Tape
5	EZ-GR-5	2	1 Quart Can of AVT FDA Ultra-Lube
6	EZ-GR-6	1	1 Gallon Can of AVT FDA Ultra-Lube



MISC. PARTS

4" - 12"

#	PART #	COUNT:	DESCRIPTION:
1	EZ-MP-1	1	Hand Wheel for Operation of EM Machine
2	EZ-MP-2	1	Pilot Drill for 45mm Steel Cutter (Please Note: This Peice is Special-Order Only)
3	EZ-MP-3	1	45mm Steel Cutter (Please Note: This Peice is Special-Order Only)
4	EZ-MP-4	1	Pilot Drill for 60mm Steel Cutter (Please Note: This Peice is Special-Order Only)
5	EZ-MP-5	1	60mm Steel Cutter (Please Note: This Peice is Special-Order Only)
6	EZ-MP-6	1	EZ Valve Instruction Manual
7	EZ-MP-7	1	EZ Valve Training DVD