

For Residential and Commercial Applications

Job Name		Engineer / Architect	
Job Location		Wholesaler	
Submittal Date		Contractor	

OCR1912A/ OCR1915A/ OCR1920A Copper Faucet Supply Kit - Compression Multi-Turn Angle Stop

Use: For use with water in accessible locations only. Not intended for recirculating water systems that produce continuous use temperatures above 115° F. For those applications, use our KT™ series ball stop supply kits.

Design Features:

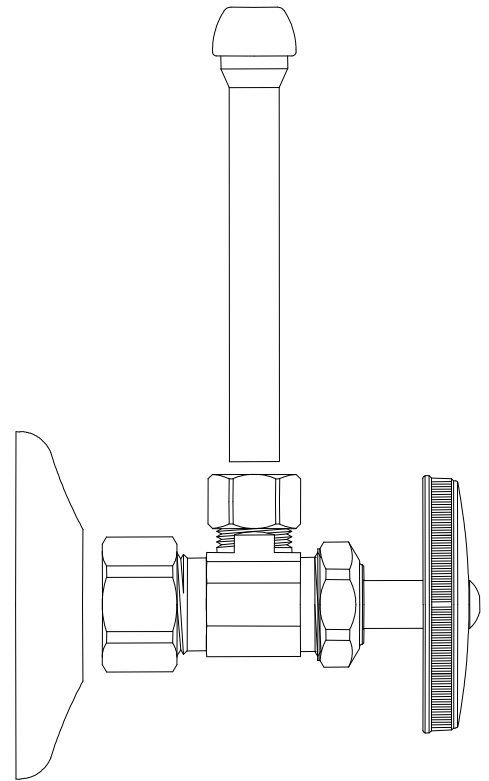
- **Everything you need.** These kits combine our trusted BrassCraft® supply stop, copper riser, and escutcheon for an easy-to-install connection
- **100% compliant kits** available

Copper riser provides:

- **One-piece construction**
- **Cut-to-length** for a clean, professional installation

Multi-Turn stop provides:

- **Machined one-piece brass body** provides strength, durability and long-lasting performance
- **Oval knurled handle** provides a secure grip and smooth on/off operation
- **Easy-to-remove handle** with screw attachment helps protect against accidental stop operation during rough-ins



Operating Specifications:

Temperature: 40°- 140° F
Pressure: 125 PSI maximum

Tubing Diameter: 0.375" OD

Standard

CONNECTOR MATERIAL SPECIFICATIONS	
Tube	Copper or chrome-plated copper
Insert	POM

Compliant

CONNECTOR MATERIAL SPECIFICATIONS	
Tube	Copper or chrome-plated copper
Insert	POM

This specification and all information contained herein is the confidential and exclusive property of BrassCraft Manufacturing, and shall not be disclosed to others without the written consent of BrassCraft Mfg. This specification must be returned to BrassCraft Mfg if requested.



OCR1912A/ OCR1915A/ OCR1920A Copper Faucet Supply Kit - Compression Multi-Turn Angle Stop

Standard

STOP MATERIAL SPECIFICATIONS	
Body	Brass or chrome-plated brass
Stem	POM or brass
Bib & Packing Washers	Nitrile rubber
Packing Nut	Brass or chrome-plated brass
Handle	Metal, chrome-plated ABS or Polycarbonate
Handle Screw	Steel, zinc-plated
Loose Key	Zinc die-cast
Loose Key Stem	Brass, chrome-plated
Lock Shield	Brass, chrome-plated

Escutcheon	Stainless steel
-------------------	-----------------

Compliant

STOP MATERIAL SPECIFICATIONS	
Body	Compliant brass, chrome-plated
Stem	POM or compliant brass
Bib & Packing Washers	Nitrile rubber
Packing Nut	Brass or chrome-plated brass
Handle	Metal, chrome-plated ABS or Polycarbonate
Handle Screw	Steel, zinc-plated
Loose Key	Zinc die-cast
Loose Key Stem	Brass, chrome-plated
Lock Shield	Brass, chrome-plated

Escutcheon	Stainless steel
-------------------	-----------------

Standard Part Listing:

- OCR1912A C 1/2" nom compression x 3/8" OD compression stop with 3/8" OD tube x 11-1/2" length riser & shallow escutcheon, chrome plated
- OCR1912A R 1/2" nom compression x 3/8" OD compression stop with 3/8" OD tube x 11-1/2" length riser & shallow escutcheon, rough finish
- OCR1912AZ C 1/2" nom compression x 3/8" OD compression stop, brass stem with 3/8" OD tube x 11-1/2" length riser & shallow escutcheon, chrome plated
- OCR1915A C 1/2" nom compression x 3/8" OD compression stop with 3/8" OD tube x 14-1/2" length riser & shallow escutcheon, chrome plated
- OCR1920A C 1/2" nom compression x 3/8" OD compression stop with 3/8" OD tube x 19-1/2" length riser & shallow escutcheon, chrome plated
- OCR1920AZ C 1/2" nom compression x 3/8" OD compression stop, brass stem with 3/8" OD tube x 19-1/2" length riser & shallow escutcheon, chrome plated
- OCR1920AZ R 1/2" nom compression x 3/8" OD compression stop, brass stem with 3/8" OD tube x 19-1/2" length riser & shallow escutcheon, rough finish
- OCR1920A BZ 1/2" nom compression x 3/8" OD compression stop with 3/8" OD tube x 19-1/2" length riser & shallow escutcheon, oil rubbed bronze
- OCR1920A NS 1/2" nom compression x 3/8" OD compression stop with 3/8" OD tube x 19-1/2" length riser & shallow escutcheon, satin nickel
- SCR1912A C 1/2" nom compression x 3/8" OD compression stop with 3/8" OD tube x 11-1/2" length riser & shallow escutcheon, loose key, chrome plated
- SCR1915A C 1/2" nom compression x 3/8" OD compression stop with 3/8" OD tube x 14-1/2" length riser & shallow escutcheon, loose key, chrome plated
- SCR1920A C 1/2" nom compression x 3/8" OD compression stop with 3/8" OD tube x 19-1/2" length riser & shallow escutcheon, loose key, chrome plated

This specification and all information contained herein is the confidential and exclusive property of BrassCraft Manufacturing, and shall not be disclosed to others without the written consent of BrassCraft Mfg. This specification must be returned to BrassCraft Mfg if requested.

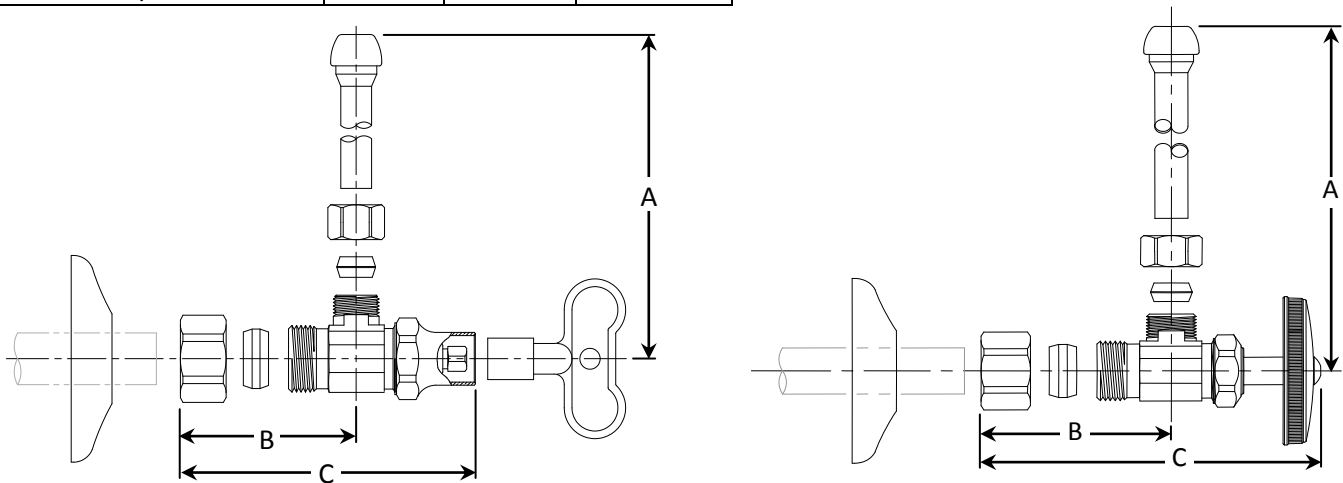


OCR1912A/ OCR1915A/ OCR1920A Copper Faucet Supply Kit - Compression Multi-Turn Angle Stop

Compliant Part Listing:

- OCR1912AX C 1/2" nom compression x 3/8" OD compression stop with 3/8" OD tube x 11-1/2" length riser & shallow escutcheon, chrome plated
- OCR1912AZX C 1/2" nom compression x 3/8" OD compression stop, brass stem with 3/8" OD tube x 11-1/2" length riser & shallow escutcheon, chrome plated
- OCR1915AX C 1/2" nom compression x 3/8" OD compression stop with 3/8" OD tube x 14-1/2" length riser & shallow escutcheon, chrome plated
- SCR1912AX C 1/2" nom compression x 3/8" OD compression stop with 3/8" OD tube x 11-1/2" length riser & shallow escutcheon, loose key, chrome plated
- SCR1915AX C 1/2" nom compression x 3/8" OD compression stop with 3/8" OD tube x 14-1/2" length riser & shallow escutcheon, loose key, chrome plated
- SCR1920AX C 1/2" nom compression x 3/8" OD compression stop with 3/8" OD tube x 19-1/2" length riser & shallow escutcheon, chrome plated

PART DIMENSIONS (Inches)			
Model	DIM. A	DIM. B	DIM. C
OCR1912A /AZ /AX/ AZX	12.00	1.16	2.84
OCR1915A /AX	15.00	1.16	2.84
OCR1920A /AZ	20.00	1.16	2.84
SCR1912A /AX	12.00	1.20	2.64
SCR1915A /AX	15.00	1.20	2.64
SCR1920A /AX	20.00	1.20	2.64



Listings & Certifications:

- IAPMO listed to ASME A112.18.1 / CSA B125.1 (File # 0645)
- CSA listed to ASME A112.18.1 / CSA B125.1 (File # 204593)
- Compliant product CSA listed to Low Lead Content Certification Program – Plumbing Products Class 6853-0



This specification and all information contained herein is the confidential and exclusive property of BrassCraft Manufacturing, and shall not be disclosed to others without the written consent of BrassCraft Mfg. This specification must be returned to BrassCraft Mfg if requested.

