


Job Name		Engineer / Architect	
Job Location		Wholesaler	
Submittal Date		Contractor	

KTCR19B**A Braided Faucet Supply Kit - Compression 1/4 Turn Angle Ball Stop

Use: For use in potable water distribution systems, hot and cold, in accessible locations only

Design Features:

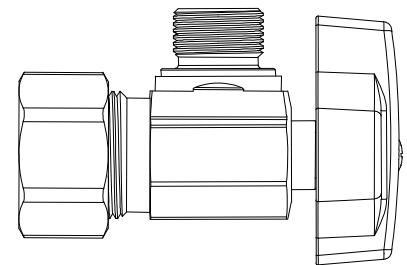
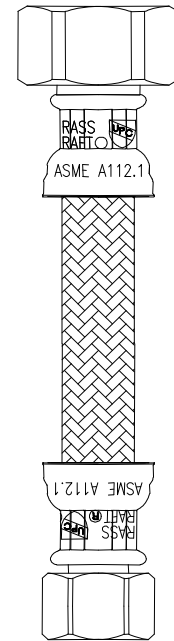
- **Everything you need.** Kits include our 1/4 turn ball stop, escutcheon and braided water connector, everything you need to hookup your water supply
- **Compliant KT Supply Kits** available for California and Vermont “low-lead” requirements 

Braided connector provides:

- **No kink hose.** The specially engineered reinforced PVC hose provides unique flexibility to prevent kinking and crimping
- **Greater strength and durability** with a tighter weave and two-layer bonded construction, outperforms conventional vinyl connectors

KT 1/4 Turn stop provides:

- **Precision-machined brass ball** specially engineered and mated with PTFE seats to provide smooth operation without freeze ups even after long periods of non-use
- **TWO high-performance o-rings** that withstand high temperatures and corrosion from harsh water environments
- **Machined one-piece brass body** provides strength, durability and longer-lasting performance
- **Blow-out proof brass stem** is assembled from the inside out with two o-rings to ensure safe, reliable performance
- **Plated stem** provides corrosion resistance and prevents o-ring damage after long periods of non-use



Includes 1/2" Nom. shallow escutcheon (see 649 submittal form for details)

Operating Specifications:

Temperature: 40°- 140° F, intermittent to 180° F

Pressure: 125 psi maximum

Tubing Diameter: 0.300" I.D. (0.550" O.D.)



This specification and all information contained herein is the confidential and exclusive property of BrassCraft Manufacturing, and shall not be disclosed to others without the written consent of BrassCraft. This specification must be returned to BrassCraft if requested.



KTCR19B** Braided Faucet Supply Kit - Compression 1/4 Turn Angle Ball Stop

Standard

MATERIAL SPECIFICATIONS	
Speedi Plumb PLUS Connector	
Inner Hose	PVC with polyester braid reinforcement
Barb	Compliant brass
Ferrule	Zinc plated 1008 steel
Connector Nut	C36000 brass
Connector Washer	Nitrile rubber
KT 1/4 Ball Stop	
Valve Body	C36000 brass
Stem	DZR brass, plated
Seats	PTFE
Ball	C36000 brass, precision machined
Stem O-rings	Viton* & Nitrile
Handle	Zinc die cast
Screw	Zinc-plated steel
Compression Sleeves	C36000 brass
Compression Nuts	C36000 brass
Shallow Escutcheon	Stainless Steel

Compliant

MATERIAL SPECIFICATIONS	
Speedi Plumb PLUS Connector	
Inner Hose	PVC with polyester braid reinforcement
Barb	Compliant brass
Ferrule	Zinc plated 1008 steel
Connector Nut	C36000 brass
Connector Washer	Nitrile rubber
KT 1/4 Ball Stop	
Valve Body	Compliant brass
Stem	Compliant brass, plated
Seats	PTFE
Ball	Compliant brass, precision machined
Stem O-ring	Viton* & Nitrile
Handle	Zinc die cast
Screw	Zinc-plated steel
Compression Sleeves	C36000 brass
Compression Nuts	C36000 brass
Shallow Escutcheon	Stainless Steel

Standard Part Listing:

- KTCR19B12A C 1/2" Nom. Compression x 3/8" OD Compression KT stop with 3/8" Compression x 1/2" F.I.P. x 12" length connector
- KTCR19B16A C 1/2" Nom. Compression x 3/8" OD Compression KT stop with 3/8" Compression x 1/2" F.I.P. x 16" length connector
- KTCR19B20A C 1/2" Nom. Compression x 3/8" OD Compression KT stop with 3/8" Compression x 1/2" F.I.P. x 20" length connector

Compliant Part Listing:

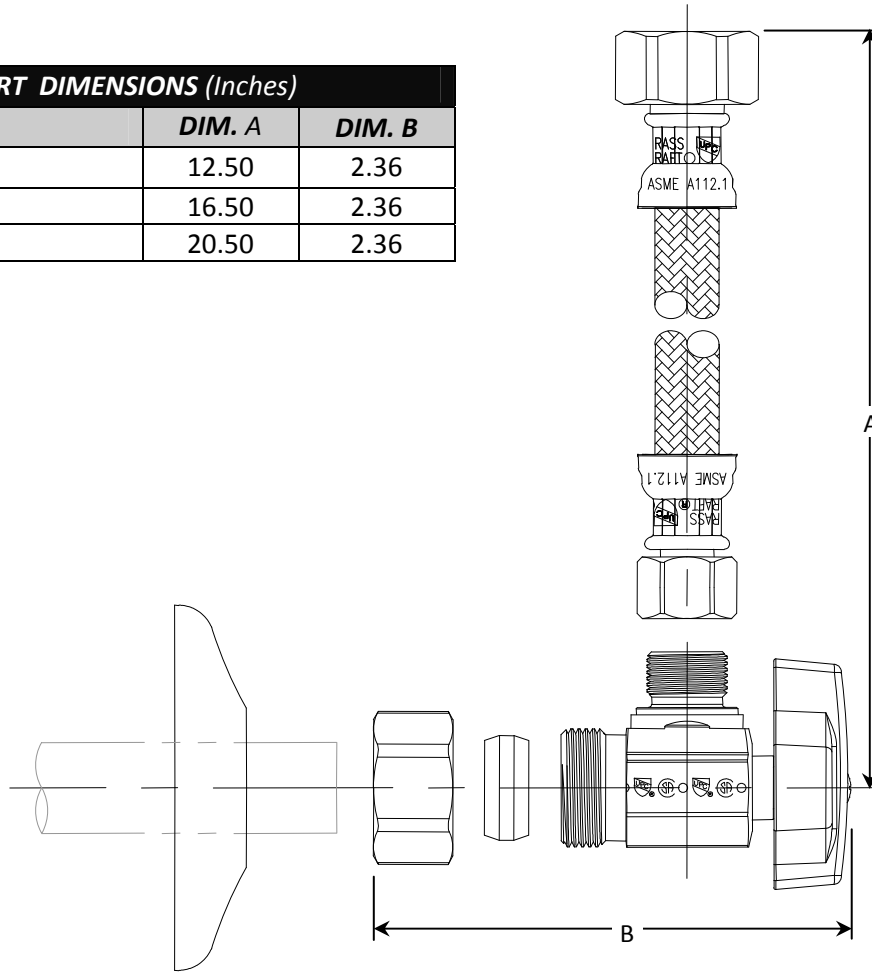
- KTCR19B16AX C 1/2" Nom. Compression x 3/8" OD Compression KT stop with 3/8" Compression x 1/2" F.I.P. x 16" length connector
- KTCR19B20AX C 1/2" Nom. Compression x 3/8" OD Compression KT stop with 3/8" Compression x 1/2" F.I.P. x 20" length connector

This specification and all information contained herein is the confidential and exclusive property of BrassCraft Manufacturing, and shall not be disclosed to others without the written consent of BrassCraft. This specification must be returned to BrassCraft if requested.



KTCR19B**A Braided Faucet Supply Kit - Compression 1/4 Turn Angle Ball Stop

PART DIMENSIONS (Inches)		
Model	DIM. A	DIM. B
KTCR19B12A	12.50	2.36
KTCR19B16A	16.50	2.36
KTCR19B20A	20.50	2.36



Listings & Certifications:

- IAPMO listed to ASME A112.18.6-2003 (File # 0452) and ASME A112.8.1-05/ CSA B125.1-05 (File # 0645)
- CSA listed to ASME A112.18.6-2003 / CSA B125 and ASME A112.8.1-05/ CSA B125.1-05 (File # 204593)
- Compliant product CSA approved to California Health & Safety Code 116875 and Vermont Bill S.152 (Project # 2174785)



This specification and all information contained herein is the confidential and exclusive property of BrassCraft Manufacturing, and shall not be disclosed to others without the written consent of BrassCraft. This specification must be returned to BrassCraft if requested.

